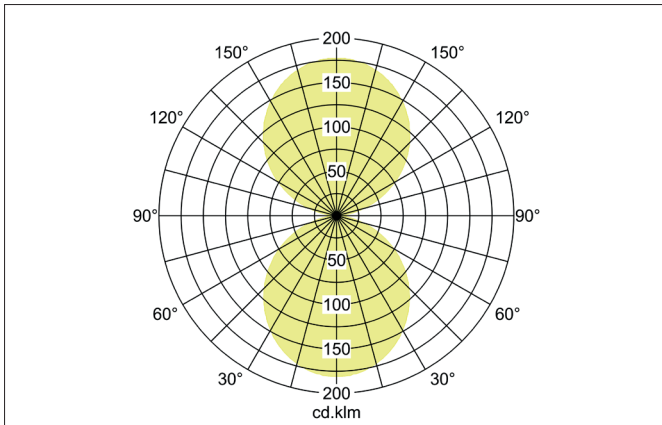
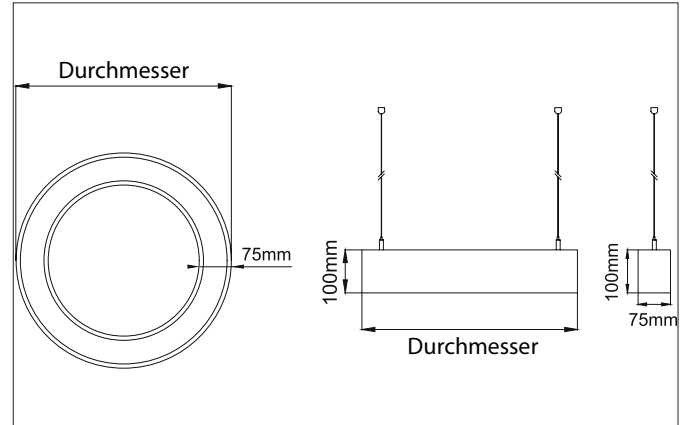


BIRO CIRCLE LED pendant ring luminaire, direct/indirect, on/off switchable  
 Article no. 13644163

Light.  
 For Generations.



**Tender**  
 LED pendant ring luminaire, direct/indirect, on/off switchable, Round. Luminaire diameter 1500.0 mm, Height 100.0 mm, for pendulum mounting. Pendulum length max. 5000.0 mm Weight 9.0 kg, with rotationssymmetrical, deep, wide distributed light intensity. optimal light distribution due to a plastic, opal cover. Luminous flux 21.128 lm, Power 1 x 225 W, System Efficiency 94 lm/W, Light colour warm white, Correlated color temperature (CCT) 3.000 K, Colour rendering index CRI > 80, Rated life time L70/B50 at 25 °C: 276000 h, Rated life time L80/B20 at 25 °C: 153000 h, Housing material: Aluminium / Steel / Plastic, Colour: Silver structure, Permissible ambient temperature (ta): -20 °C - +25 °C, Protection class (EN 61140): I, Degree of protection (DIN EN 60529): IP20. With electronic driver, on/off switchable.

| Article data      |  |
|-------------------|--|
| Article no.       | 13644163   |
| GTIN              | 4251433941736  |
| Series name       | BIRO CIRCLE  |
| Short description | LED pendant ring luminaire, direct/indirect, on/off switchable |
| Material          | Aluminium / Steel / Plastic                                    |
| Colour            | Silver   |
| Type of surface   | Structure  |
| Shape             | Round  |
| Outer diameter    | 1500 mm  |
| Height            | 100 mm   |
| Scope of delivery | Incl. converter for connection to the 230-V mains voltage      |
| Weight            | 12.000 kg  |

**BIRO CIRCLE LED pendant ring luminaire, direct/indirect, on/off switchable**

Article no. 13644163

Light.  
For Generations.

| Lighting technology                  |                 |
|--------------------------------------|-----------------|
| Colour temperature                   | 3000 K          |
| Light colour                         | White           |
| Light output                         | Direct/Indirect |
| Luminous flux                        | 21,128 lm       |
| Lichtstromanteil (direkt / indirekt) | 50/50 %         |
| System efficiency                    | 94 lm/W         |
| McAdam-Step                          | McAdam-Step 3   |
| Colour rendering                     | CRI > 80        |
| Reflector                            | Without         |
| Beam angle                           | 110°            |
| Light sharing                        | Symmetric       |
| Adjustable color temperature         | No              |

| Operating technology of the luminaire |                 |
|---------------------------------------|-----------------|
| System output                         | 225 W           |
| Voltage type                          | AC              |
| AC nominal voltage max                | 230 V           |
| Frequenz max.                         | 50 Hz           |
| Lamp                                  | LED             |
| Lamp holder                           | Without fitting |
| Protection class                      | I               |
| Degree of protection                  | IP20            |
| Control                               | on/off          |
| Bulb change possible                  | Yes             |
| Rated life time L70/B50 at 25 °C      | 276000 h        |
| Rated life time L80/B20 at 25 °C      | 153000 h        |
| Rated life time L90/B10 at 25 °C      | 74000 h         |

| Mounting technology   |                 |
|-----------------------|-----------------|
| Mounting method       | Suspended       |
| Place of installation | Ceiling-mounted |
| Adjustability         | Not adjustable  |
| Pendulum length max.  | 5,000 mm        |
| Material cover        | Plastic, opal   |

| Packing data            |   |
|-------------------------|---|
| Gross weight            | 14.5 kg   |
| Length of packaging     | 1,520 mm  |
| Packaging width         | 1,520 mm  |
| Packaging height        | 110 mm  |
| Disposal at end of life | This product must not be disposed of with household waste. You are obliged, to dispose of such electrical waste separately.<br>By disposing of electrical waste and other old or defective electronics separately, you support recycling or other forms of re-use. In that way you help to take care and to avoid that harmful substances get into the environment. |