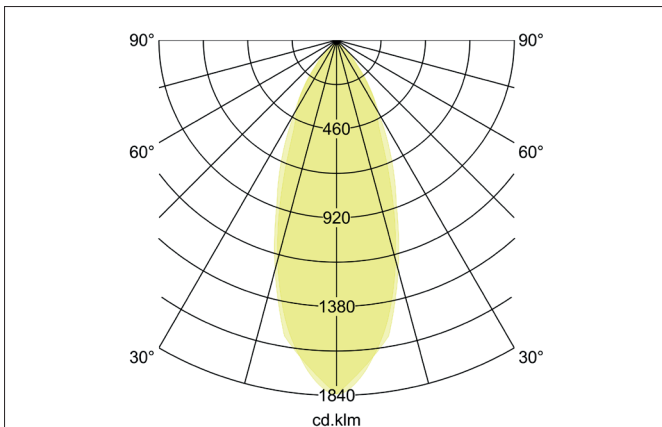
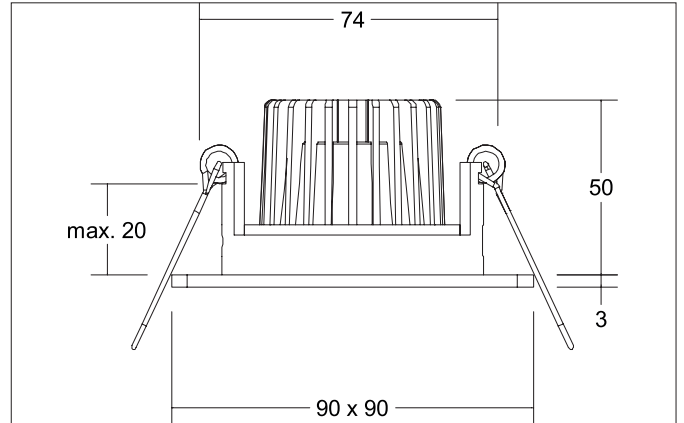
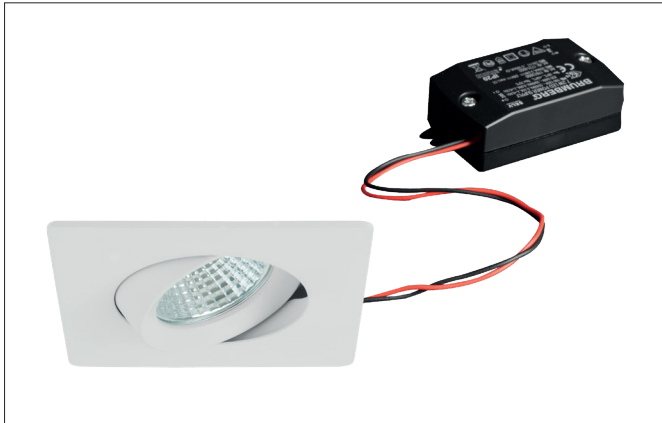


**KALINDA-S LED recessed spot set, on/off switchable**  
 Article no. 38455073

Light.  
 For Generations.



**Tender**  
 LED recessed spot set, on/off switchable, Square. Toolless ceiling installation by installation springs. Ceiling cut-out Ø 74 mm, Installation depth 50 mm, Weight 0,201 kg, Reflector silver with rotationssymmetrical, deep, wide distributed light intensity. optimal light distribution due to a glass transparent cover. Luminous flux 680 lm, Power 1 x 6 W, System Efficiency 113 lm/W, Light colour warm white, Correlated color temperature (CCT) 3.000 K, Colour rendering index CRI > 80, Housing material: Aluminium, Colour: White, Permissible ambient temperature (ta): -20 °C - +25 °C, Protection class (EN 61140): III, Degree of protection (DIN EN 60529): IP20. With electronic driver, on/off switchable.

| Article data       |  |
|--------------------|--|
| Article no.        | 38455073                                 |
| GTIN               | 4251433949725                            |
| Series name        | KALINDA-S                                |
| Short description  | LED recessed spot set, on/off switchable |
| Material           | Aluminium                                |
| Colour             | White                                    |
| Type of surface    | Matt                                     |
| Shape              | Square                                   |
| Built-in diameter  | 74 mm                                    |
| Installation depth | 50 mm                                    |
| Hight              | 3 mm                                     |
| Weight             | 0.201 kg                                 |

**KALINDA-S LED recessed spot set, on/off switchable**

Article no. 38455073

Light.  
For Generations.

| Lighting technology |            |
|---------------------|------------|
| Colour temperature  | 3.000 K    |
| Light output        | Direct     |
| Luminous flux       | 680 lm     |
| System efficiency   | 113 lm/W   |
| Colour rendering    | CRI > 80   |
| Reflector           | High-gloss |
| Reflektorfarbe      | silver     |
| Beam angle          | 38°        |
| Light sharing       | Symmetric  |

| Operating technology of the luminaire |           |
|---------------------------------------|-----------|
| Lamp holder                           | Plug&Play |
| Power                                 | 6 W       |
| Voltage type                          | DC        |
| Current                               | 350 mA    |
| Lamp                                  | LED       |
| Protection class                      | III       |
| Degree of protection                  | IP20      |
| Bulb change possible                  | Yes       |

| Mounting technology         |   |
|-----------------------------|---|
| Mounting method             | Recessed mounting                         |
| Place of installation       | Ceiling-mounted                           |
| Adjustability               | Pivoted                                   |
| Swivel angle                | 40°                                       |
| Max. ceiling thickness      | 20 mm                                     |
| Further references          | No cover with thermal insulation material |
| Material cover              | Glass transparent                         |
| Circlip                     | Without circlip                           |
| Suitable for through-wiring | Yes, with optional accessories            |

| Packing data            |   |
|-------------------------|---|
| Gross weight            | 0.29 kg   |
| Length of packaging     | 140 mm  |
| Packaging width         | 110 mm  |
| Packaging height        | 120 mm  |
| Disposal at end of life | This product must not be disposed of with household waste. You are obliged, to dispose of such electrical waste separately.<br>By disposing of electrical waste and other old or defective electronics separately, you support recycling or other forms of re-use. In that way you help to take care and to avoid that harmful substances get into the environment. |