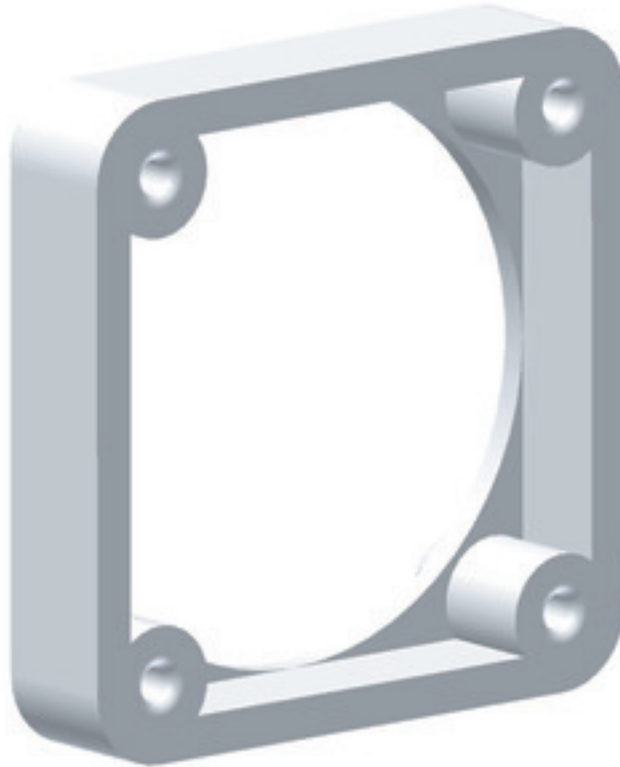


Accessories sockets - 90x90

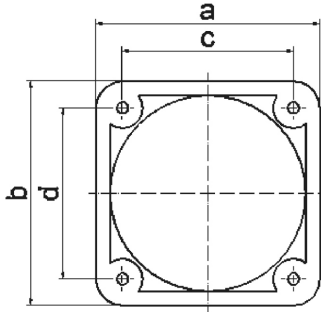


Product description	
BALS-Prd.-Nr	1854
EAN	4024941018548
product category (PG)	Mounting frame
colour code 1 (KF1)	gray RAL 7035
Height	110mm
Width	100mm
Depth	10mm
Flange size vertical	110mm
Flange size horizontal	100mm

Product description	
Drill hole distance vertical	90mm
Drill hole distance horizontal	90mm
material of enclosure (GM)	Polyamide

Logistics data	
Weight/pcs	0.03 kg / Piece
Packaging	Bag
Content amount	1 ST
EAN	4024941018548
Length	10 mm
Width	100 mm
Height	110 mm
Weight	0.031 kg
Volume	110 ccm
Packaging	Carton
Content amount	100 ST
EAN	4024941327053
Length	275 mm
Width	175 mm
Height	137 mm
Weight	3.125 kg

Logistics data	
Volume	5,737.5 ccm



30 MB 182

a	b	c	d	e	Bestell-Nr.
50	50	38	38	13	1843
54	54	44	44	10	1847
57	66	47	47	10	1848
60	60	50	50	10	1849
62	62	52	52	10	1850
62	70	52	60	10	1851