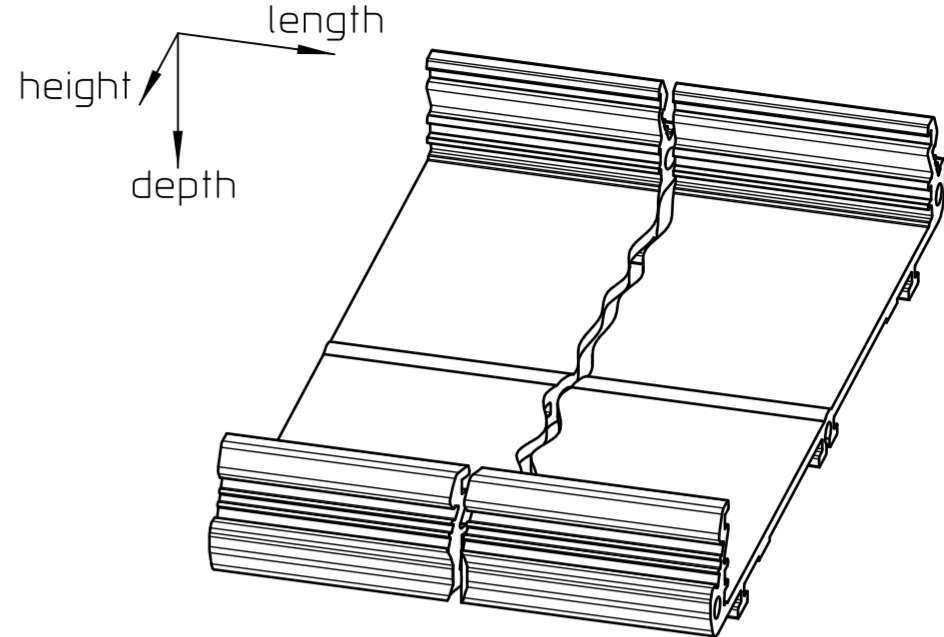
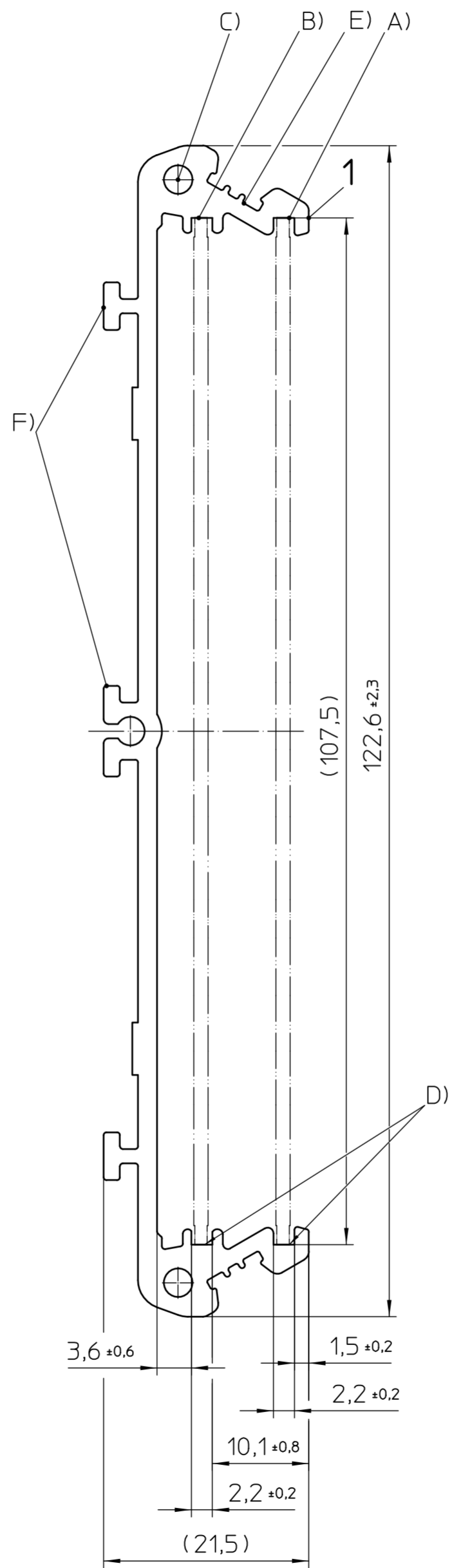
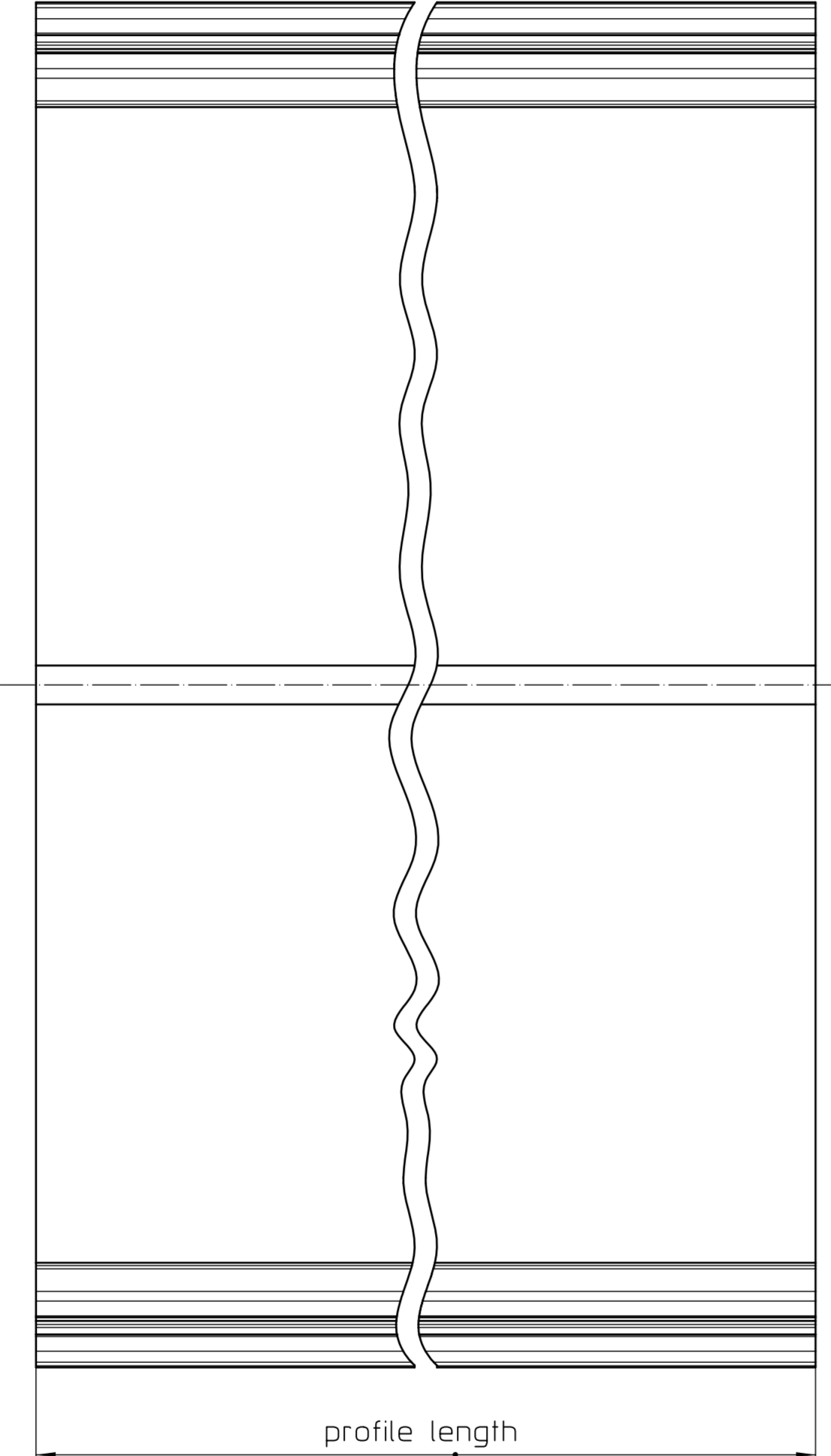


Transfer or duplication of this document as well as the utilisation or communication of its content are not permitted unless express consent is granted. Violations give rise to claims for damages. All rights reserved in case of patent, utility model or design patent registrations.

Weitergabe sowie Vervielfältigung dieses Dokuments, Verwertung und Mitteilung seines Inhalts sind verboten, soweit nicht ausdrücklich gestattet. Zuwiderhandlungen verpflichten zu Schadensersatz. Alle Rechte für den Fall der Patent-, Gebrauchsmuster- oder Designanmeldung vorbehalten.

PROFILE



General Information
 - Simplified representation
 - Document excluded from change process
 - Linear dimensions [mm]
 - Tolerances, apply in a normal climate according to DIN EN ISO 291-23/50-2.
 - Web: www.phoenixcontact.com

Additional Information:
 A) PCB level 1
 B) PCB level 2
 C) Holes for Ø3 screw
 D) PCB-guidance checked by gauge-test
 E) Marker groove for zack marker strip
 F) Guidance for optional foot element: UM108-FE
 G) Length of profile according to customer specification
 Length profile min. 30 mm up to max.1000 mm
 Profile length tolerance:
 <=60= ±0,1
 >60 up to 200= ±0,2
 >200 up to 400= ±0,5
 >400 up to 1000= ±0,8
 - PCB-thickness= 1,6±0,2
 - Recommended PCB-outline see further documentation

Pos.	QTY	description	material
1	1	PROFILE	PVC
DIN A2		document-No. / RI 00822809 / 04	date 25.06.2018
1270126		document-type TECDOC 2D_Productdrawing	scale 2:1
page 1 of 1		description UM 108-PROFIL 15,40CM BK	