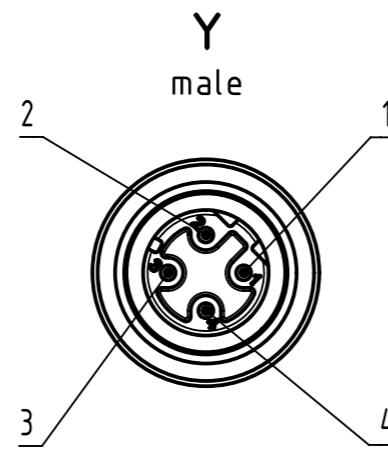
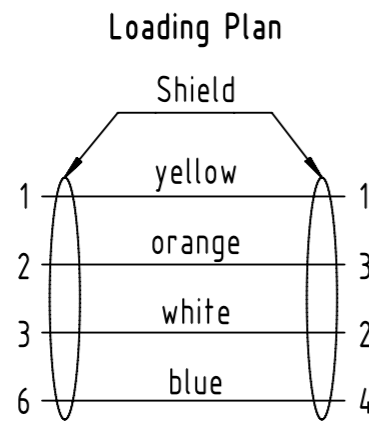
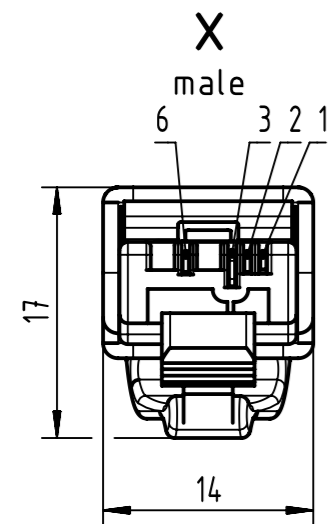
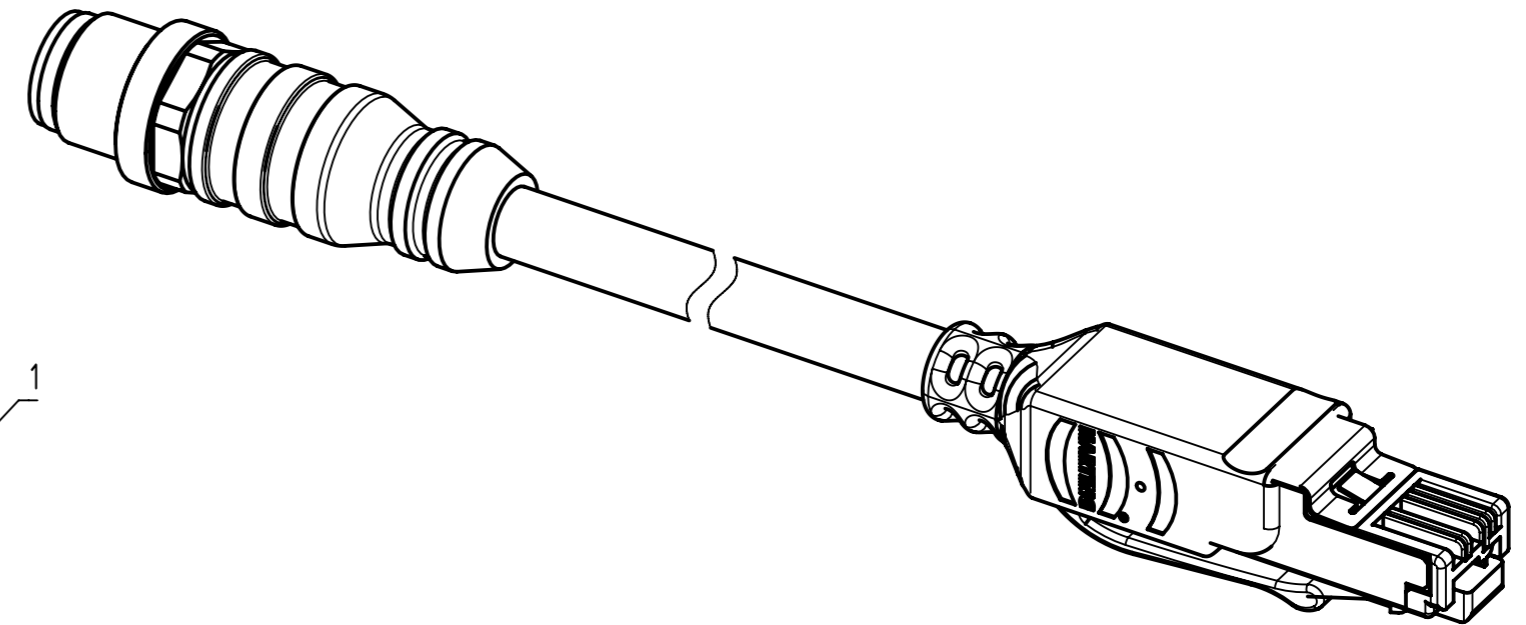
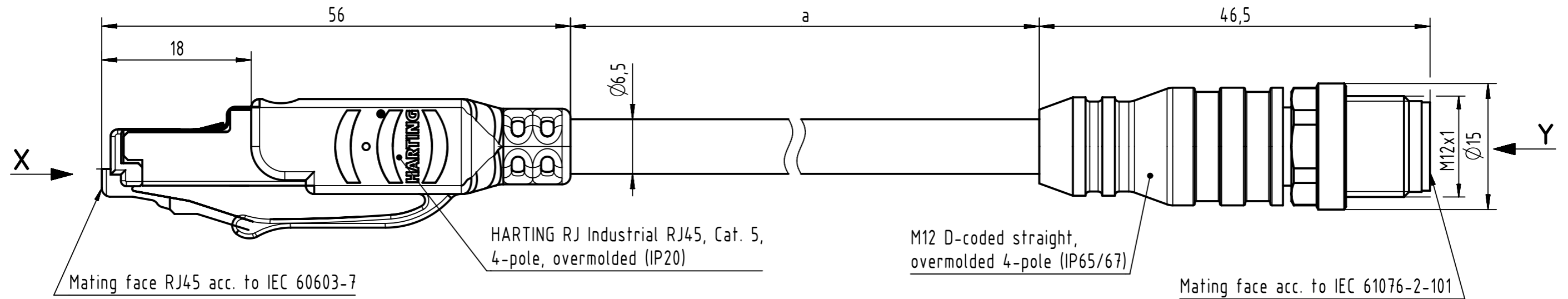


Connector Location A

Connector Location B



- Temperature range: -30°C ... +70°C

	All rights reserved	Created by BANIUD Banciu	Inspected by COSTEA Costea	Standardisation MUNTEANV Muntean	Date 2022-05-05	State Final Release
	Department HCS - RO	Title M12 D-coded Cable Assembly		Doc-Key / ECM-Nr. 100081060/UGD/044/H 500000216818		
HARTING Customised Solutions D-32339 Espelkamp		Type TB	Number 09457005XXX		Rev. H	Page 1/3

1		2		3		4		5		6		7		8	
A															
B	32	09457005061					100 ±1	64	09457005083					100 ±1	
	31	09457005060					90 ±0.9	63	09457005082					90 ±0.9	
	30	09457005059					80 ±0.8	62	09457005081					80 ±0.8	
	29	09457005058					70 ±0.7	61	09457005080					70 ±0.7	
	28	09457005057					60 ±0.6	60	09457005079					60±0.6	
	27	09457005056					50 ±0.5	59	09457005078					50 ±0.5	
	26	09457005055					40 ±0.4	58	09457005077					40 ±0.4	
	25	09457005085					35 ±0.35	57	09457005094					35 ±0.35	
	24	09457005054					30 ±0.3	56	09457005093					31 ±0.31	
	23	09457005033					25 ±0.25	55	09457005076					30 ±0.3	
C	22	09457005097					21 ±0.21	54	09457005092					25 ±0.25	
	21	09457005053					20 ±0.2	53	09457005075					20 ±0.2	
	20	09457005091					17 ±0.17	52	09457005074					15 ±0.15	
	19	09457005052					15 ±0.15	51	09457005073					10 ±0.1	
	18	09457005095					14 ±0.14	50	09457005072					9 ±0.09	
	17	09457005034	RJl Ethernet Trailing Cable, 4xAWG 22/7, PUR, Cat. 5+, green				12.5 ±0.125	49	09457005071	RJl Ethernet Stranded Cable, 4xAWG 22/7, PVC outdoor, Cat. 5+, black				8 ±0.08	
	16	09457005035					11 ±0.11	48	09457005070					7 ±0.07	
	15	09457005051	10 ±0.1	47	09457005069	6 ±0.06	46	09457005090					6 ±0.06		
	14	09457005031	9 ±0.09	45	09457005068	5 ±0.05	45	09457005068					5.5 ±0.055		
	13	09457005030	8 ±0.08	44	09457005089	4 ±0.04	44	09457005089					5 ±0.05		
	12	09457005029	7 ±0.07	43	09457005067	3 ±0.03	43	09457005067					4.1 ±0.041		
	11	09457005028	6 ±0.06	42	09457005088	2.5 ±0.025	42	09457005088					4 ±0.04		
	10	09457005027	5 ±0.05	41	09457005066	2 ±0.02	41	09457005066					3.6 ±0.036		
	9	09457005026	4 ±0.04	40	09457005084	1.5 ±0.015	40	09457005084					3 ±0.03		
	8	09457005025	3 ±0.03	39	09457005065	1 ±0.01	39	09457005065					2.8 ±0.028		
	7	09457005032	2.5 ±0.025	38	09457005064	0.5 ±0.01	38	09457005064					2 ±0.02		
	6	09457005024	2 ±0.02	37	09457005087	0.2 ±0.01	37	09457005087					1.5 ±0.015		
	5	09457005023	1.5 ±0.015	36	09457005086	0.1 ±0.01	36	09457005086					1.4 ±0.014		
	4	09457005022	1 ±0.01	35	09457005063		35	09457005063					1.3 ±0.013		
	3	09457005021	0.5 ±0.01	34	09457005062		34	09457005062					1 ±0.01		
	2	09457005020	0.2 ±0.01	33	09457005098		33	09457005098					0.5 ±0.01		
	1	09457005096	0.1 ±0.01	Cont. no.	Part no.	Type of cable	Dim. a[m]					0.3 ±0.01			
F	Cont. no.	Part no.	Type of cable	Dim. a[m]											



All Dimensions in mm

Tech. Character.

Free size tol.

According to production drawing



All rights reserved
Department HCS - RO

Created by
BANIUD
Banciu

Inspected by
COSTEA
Costea

Standardisation
MUNTEANV
Muntean

Date
2022-05-05

State
Final Release

Title
M12 D-coded Cable Assembly

Doc-Key / ECM-Nr.
100081060/UGD/044/H
500000216818

HARTING Customised Solutions
D-32339 Espelkamp


Type
TB

Number
09457005XXX

Rev.
H

Page
2/3

1	2	3	4	5	6	7	8	
A								A
B								B
C	88	09457005183	RJ45 Ethernet Stranded Cable, 4xAWG 22/7, PVC, Cat. 5+, green	100 ±1				C
	87	09457005182		90 ±0.9				
	86	09457005181		80 ±0.8				
	85	09457005180		70 ±0.7				
	84	09457005179		60 ±0.6				
	83	09457005178		50 ±0.5				
	82	09457005177		40 ±0.4				
	81	09457005176		30 ±0.3				
D	80	09457005185		25 ±0.25				D
	79	09457005175		20 ±0.2				
	78	09457005174		15 ±0.15				
	77	09457005186		12.5 ±0.125				
	76	09457005173		10 ±0.1				
	75	09457005172		9 ±0.09				
	74	09457005171		8 ±0.08				
	73	09457005170		7 ±0.07				
E	72	09457005169		6 ±0.06				E
	71	09457005168		5 ±0.05				
	70	09457005167		4 ±0.04				
	69	09457005166		3 ±0.03				
	68	09457005165	2 ±0.02					
	67	09457005164	1.5 ±0.015					
	66	09457005163	1 ±0.01					
	65	09457005162	0.5 ±0.01					
F	Cont. no.	Part no.	Type of cable	Dim. a[m]				F

	All rights reserved		Created by BANCIUD Banciu		Inspected by COSTEA Costea		Standardisation MUNTEANV Muntean		Date 2022-05-05		State Final Release	
	Department HCS - RO		Title M12 D-coded Cable Assembly				Doc-Key / ECM-Nr. 100081060/UGD/044/H 500000216818		Rev. H		Page 3/3	
HARTING Customised Solutions D-32339 Espelkamp			Type TB		Number 09457005XXX							