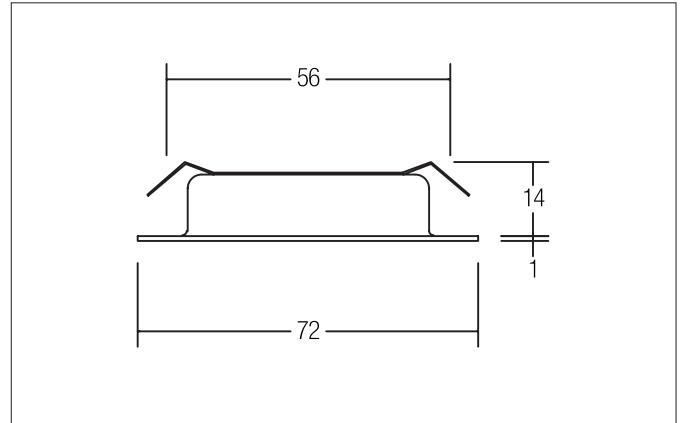
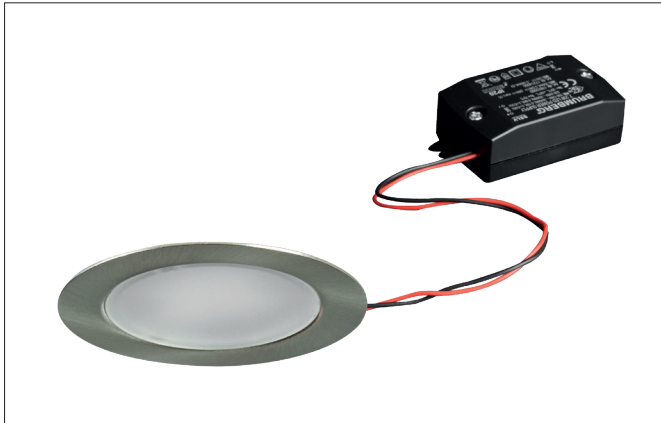


BB17 LED recessed downlight set, on/off switchable

Article no. 38370153

Light.
For Generations.**Tender**

LED recessed downlight set, on/off switchable, Round. Toolless ceiling installation by leaf spring. Ceiling cut-out \varnothing 56 mm, Installation depth 14 mm, Outer diameter 72 mm, Weight 0,082 kg, with rotationssymmetrical, deep, wide distributed light intensity. optimal light distribution due to a plastic, opal cover. Luminous flux 260 lm, Power 1 x 3 W, System Efficiency 87 lm/W, Light colour warm white, Correlated color temperature (CCT) 3.000 K, Colour rendering index CRI > 80, Rated life time L80/B20 at 25 °C: 30000 h, Housing material: Steel / Plastic, Colour: Nickel, Permissible ambient temperature (ta): -20 °C - +25 °C, Protection class (EN 61140): II, Degree of protection (DIN EN 60529): IP20. With electronic driver, on/off switchable.

| Article data | |
|--------------------|--|
| Article no. | 38370153 |
| GTIN | 4251433917120 |
| Series name | BB17 |
| Short description | LED recessed downlight set, on/off switchable |
| Material | Steel / Plastic |
| Colour | Nickel |
| Type of surface | Matt |
| Shape | Round |
| Outer diameter | 72 mm |
| Built-in diameter | 56 mm |
| Installation depth | 14 mm |
| Height | 1 mm |
| Scope of delivery | Incl. 900 mm connecting cable between the converter and the lamp |
| Weight | 0.082 kg |

BB17 LED recessed downlight set, on/off switchable

Article no. 38370153

Light.
For Generations.

| Lighting technology | |
|---------------------|------------|
| Colour temperature | 3.000 K |
| Light colour | White |
| Light output | Direct |
| Luminous flux | 260 lm |
| System efficiency | 87 lm/W |
| Colour rendering | CRI > 80 |
| Reflector | High-gloss |
| Beam angle | 60° |
| Light sharing | Symmetric |

| Operating technology of the luminaire | |
|---------------------------------------|--------------------|
| Power | 3 W |
| Lamp | LED not changeable |

| Operating technology of driver | |
|--------------------------------|-----------------|
| Length | 68 mm |
| Width | 35 mm |
| Hight | 21 mm |
| AC nominal voltage min | 220 V |
| AC nominal voltage max | 240 V |
| Frequenz max. | 50 Hz |
| Frequenz max. | 50 Hz |
| Dimmable | No |
| Control | on/off |
| Starting current | 10 A (max.10ms) |
| Power min | 1 W |
| Power | 7.2 W |
| Current | 350 mA |
| Degree of protection | IP20 |
| Protection class | II |
| Flickerfrei | Yes |

| Mounting technology | |
|-----------------------|---|
| Mounting method | Recessed mounting |
| Place of installation | Ceiling-mounted |
| Adjustability | Not adjustable |
| stamp | MM |
| Further references | No cover with thermal insulation material |
| Material cover | Plastic, opal |

| Packing data | |
|-------------------------|---|
| Gross weight | 0.108 kg |
| Length of packaging | 85 mm |
| Packaging width | 43 mm |
| Packaging hight | 84 mm |
| Disposal at end of life | This product must not be disposed of with household waste. You are obliged, to dispose of such electrical waste separately. By disposing of electrical waste and other old or defective electronics separately, you support recycling or other forms of re-use. In that way you help to take care and to avoid that harmful substances get into the environment. |