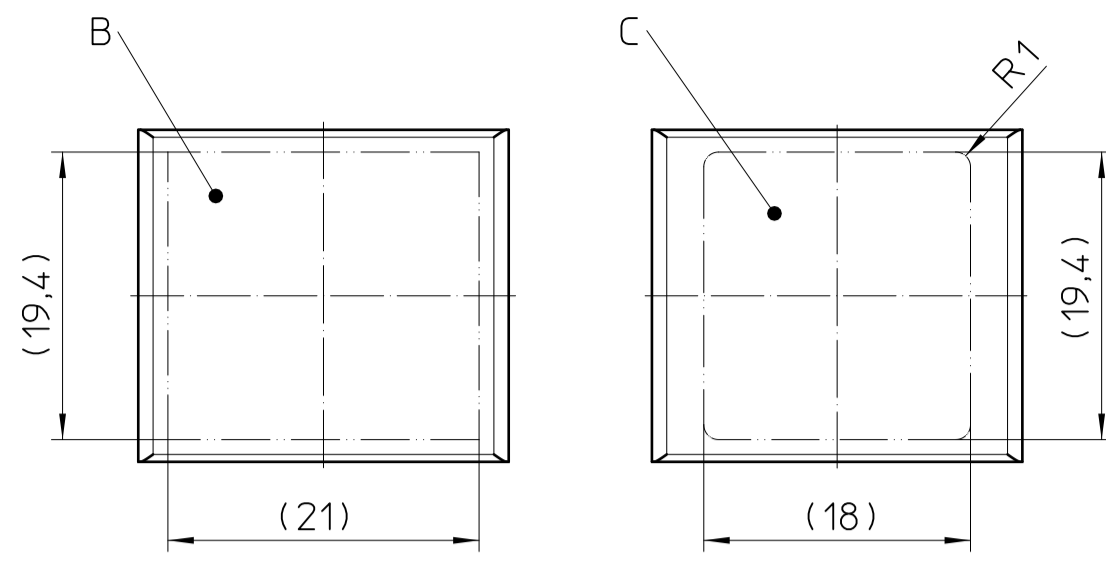
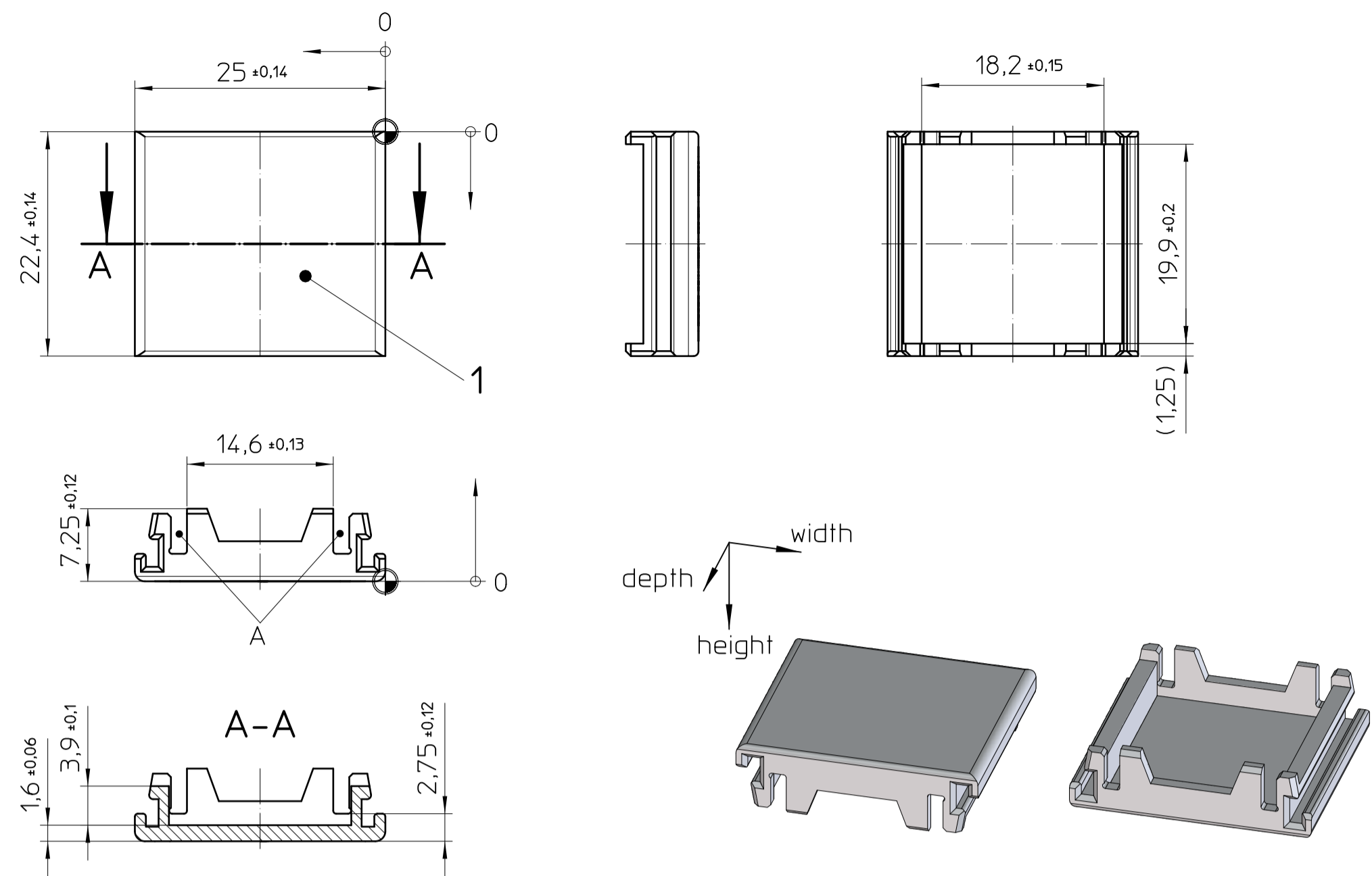
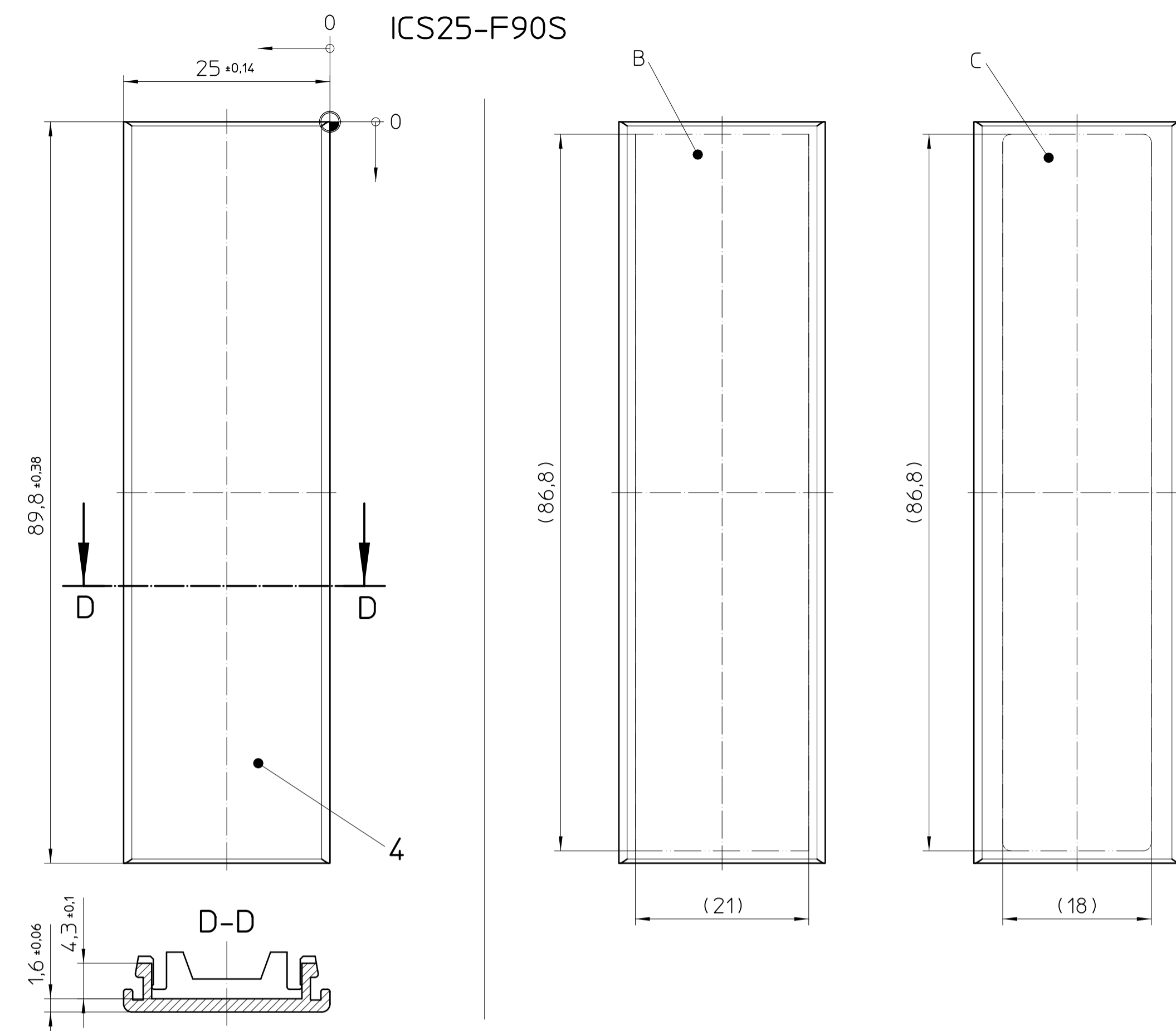


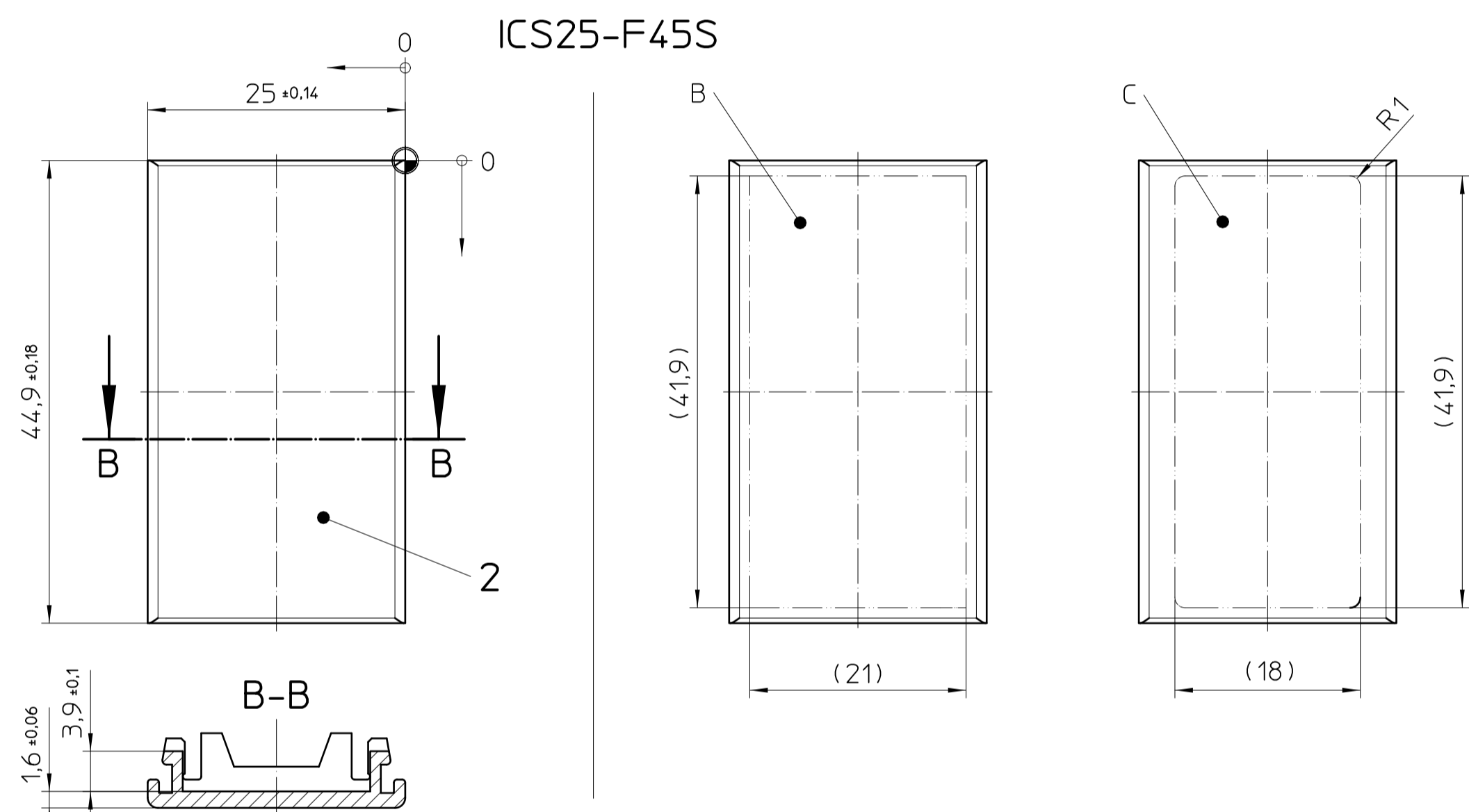
ICS25-F22S



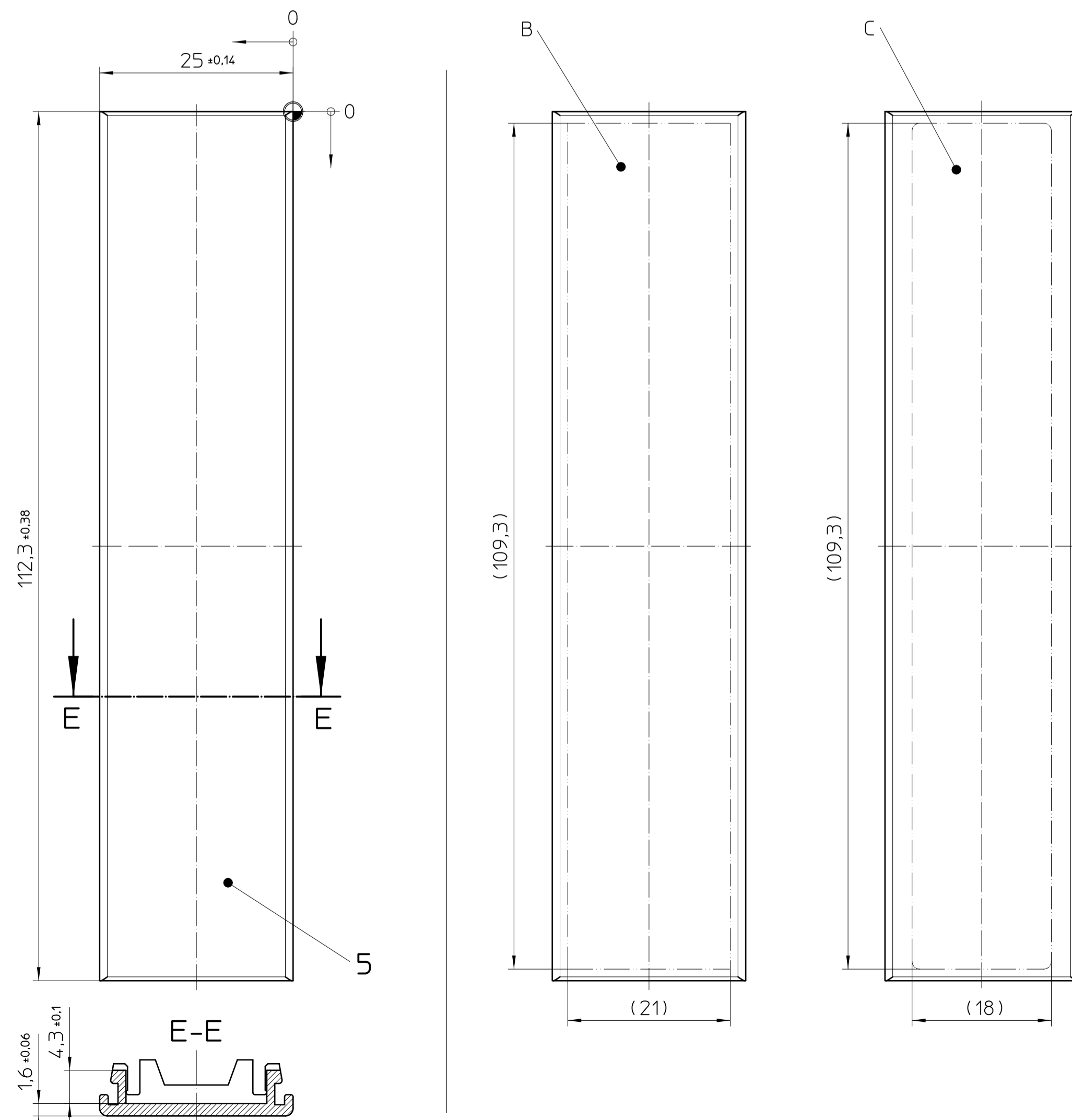
ICS25-F90S



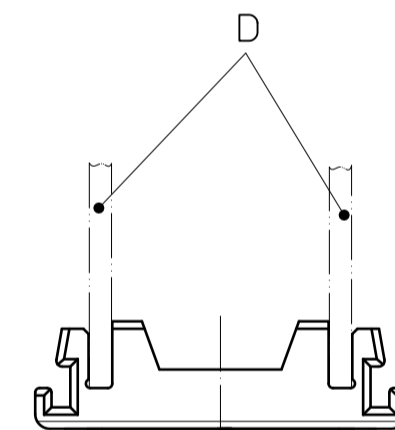
ICS25-F45S



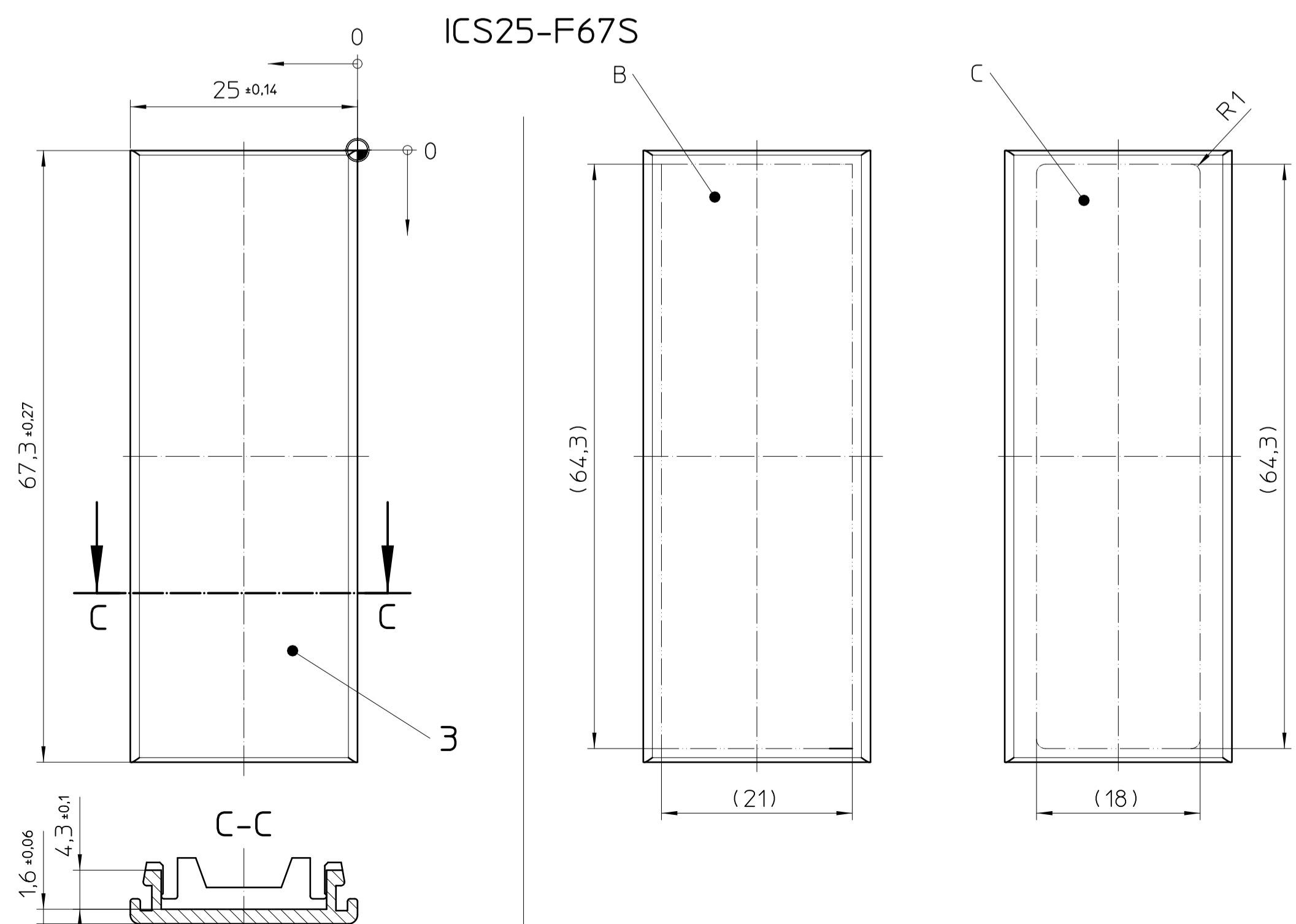
ICS25-F112S



Assembly example



ICS25-F67S



- General Information:
- Simplified representation
 - Document excluded from change process
 - Units are in millimeters [mm] and degrees [°]
 - Tolerances apply in a normal climate according to DIN EN ISO 291-23/50-2.
 - PA plastic parts with about 2% (% by weight) moisture content.
 - Workpiece zero point for mechanical processing
 - Tolerances for mechanical processing
 - milling contour to zero point +0.2
 - milling to milling contour +0.1
 - Machining radii min. R1, further on request
 - Tolerances for printing DIN ISO 2768-m
 - Web: www.phoenixcontact.com webcode: #1635

- Additional Information:
- A) PCB guidance
 - B) Marking area only for pad printing, other printing processes on request
 - C) Machining area
 - D) PCB, thickness-1.6 ±0.2

Pos.	QTY	description	material
1	1	ICS25-F22S	PA
2	1	ICS25-F45S	PA
3	1	ICS25-F67S	PA
4	1	ICS25-F90S	PA
5	1	ICS25-F112S	PA

DIN A1	document-No. / Ri 01072806 / 03	date 08.04.2025	scale 2:1
	ident.-No. 1099555	document-type TECD0C_2D_Productdrawing	
page 1	of 1	description ICS25-F45S-1018	

Weitergabe sowie Vervielfältigung dieses Dokuments, Verwertung und Mitteilung seines Inhalts sind verboten, soweit nicht ausdrücklich gestattet. Insbesondere die Vervielfältigung für Zwecke der Patent-, Gebrauchsmuster- oder Designanmeldung vorbehalten.

Transfer or duplication of this document as well as the utilization or communication of its content are not permitted unless express consent is given. In particular, reproduction for purposes of patent, utility model or design patent registrations is reserved.