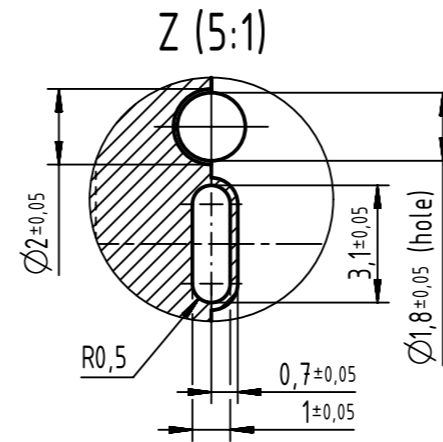
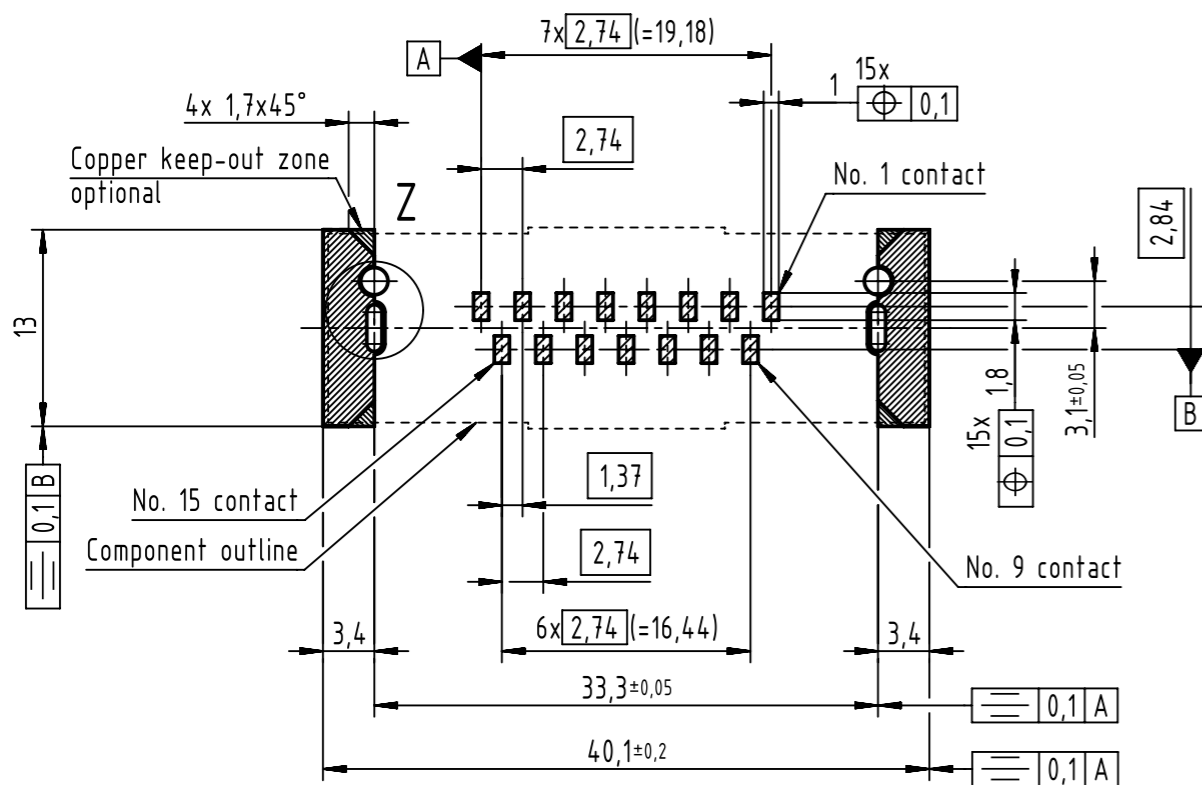


PCB layout, component side



Max. Temperature: 260°C during 10 seconds.
Find further technical information on DS 09550200302

0955 255 3611 741	1	M3	Black insulator	Reel packing: 140 connectors
0955 255 3612 741	1	4-40 UNC		
0955 255 6611 741	2	M3		
0955 255 6612 741	2	4-40 UNC		
0955 255 7611 741	3	M3		
0955 255 7612 741	3	4-40 UNC		
Part number	PL	Nut	Index designation	

All rights reserved Department EL PD HARTING Electronics GmbH D-32339 Espelkamp		All Dimensions in mm Original Size DIN A3 Scale 2:1 Free size tol.	Created by ZHUANGJ Inspected by LUOK Standardisation HOFFMANN Date 2018-11-29 State Final Release	Ref. Sub. Title D-Sub str SMT 15-pole fem with ground pin & screw nut Type TB Number 0955255X61X	Doc-Key / ECM-Nr. 100236641/UGD/001/B 500000139800 Rev. B Page 1/1
--	--	---	---	--	--