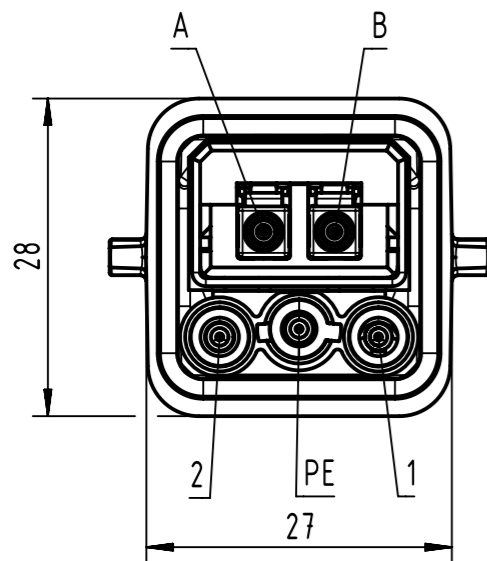


**X**  
male  
(without protection cap)

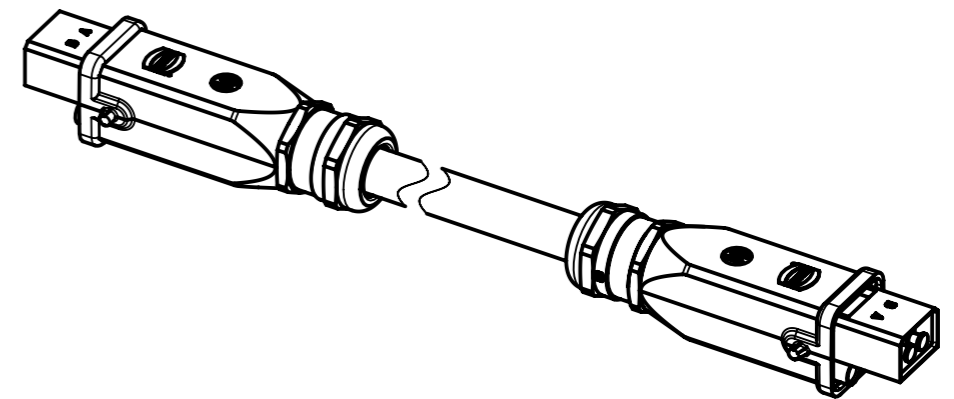
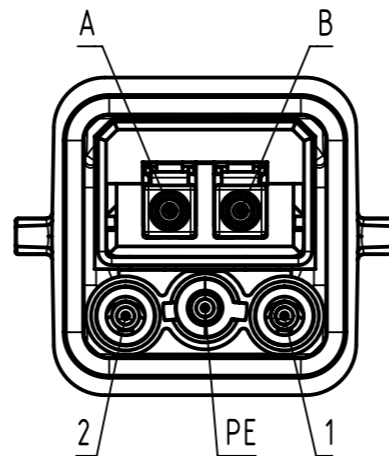


**Loading Plan**  
(Power DC version)

(Shield not connected)



**Y**  
male  
(without protection cap)



- Protection level: IP65/67  
- Temperature range: -40°C ... +70°C

9	33572113005004	Hybrid cable 2x9/125+3x2.5qmm, PVC Black	300 ±3
8	33572111005004		100 ±1
7	33572110605004		60 ±0.6
6	33572110505004		50 ±0.5
5	33572110405004		40 ±0.4
4	33572110205004		20 ±0.2
3	33572110105004		10 ±0.1
2	33572110055004		5 ±0.05
1	33572110015004		1 ±0.03
<b>Cont. no.</b>	<b>Part no.</b>	<b>Type of cable</b>	<b>Dim. a[m]</b>

	All rights reserved Department HCS - RO	Tech. Character.		Free size tol.		According to production drawing	
		Created by 407576 Stoica	Inspected by 402676 Gross	Standardisation MUNTEANV Muntean	Date 2023-02-20	State Final Release	
HARTING Customised Solutions D-32339 Espelkamp		Title <b>Han 3A FO Hybrid Cable Assembly</b>			Doc-Key / ECM-Nr. 100643418/UGD/036/C 50000232499		
		Type TB	Number 3357211XXX5004		Rev. C	Page 1/1	