

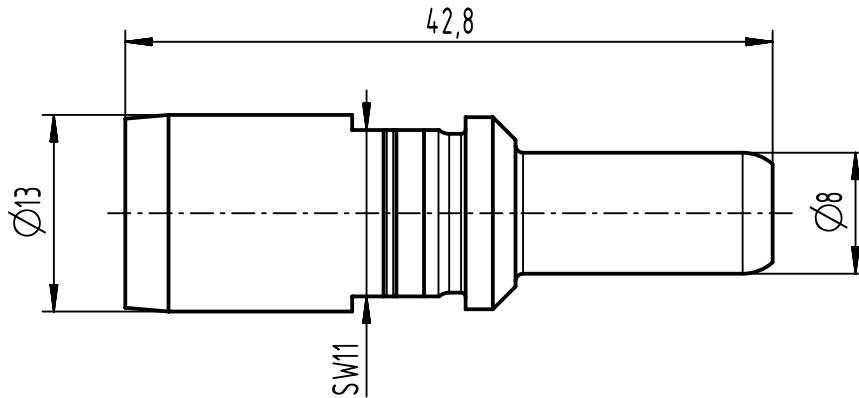
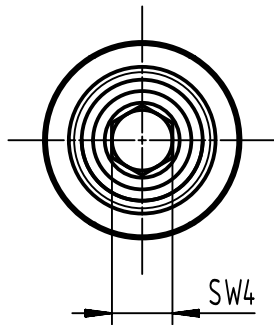
1 2 3 4 5 6

A

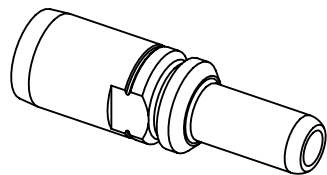
B


C

D



stripping length: 13 mm  
 wire gauge: 38 mm<sup>2</sup>  
 tightening torque: 8 Nm  
 for stranded wire 38 mm<sup>2</sup>, AWG 1, fine wire



	All rights reserved Department EL PD	All Dimensions in mm Original Size DIN A4		Scale 2:1	Free size tol.		Ref. Sub.	
		Created by HOLLERT	Inspected by RIEPE	Standardisation SAP_WFRT	Date 2022-07-12	State Final Release		Doc-Key / ECM-Nr. 100607485/UGD/003/B 500000220827
HARTING D-32339 Espelkamp		Title Han TC100-M-ax 38qmm	Type TB		Number 09 11 000 6194		Rev. B	Page 1/1