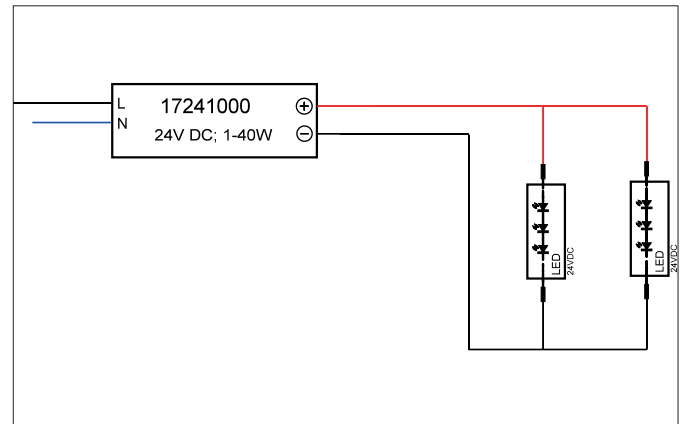


LED power supply 24 V DC, on/off switchable
Article no. 17241000

Light.
For Generations.



Tender

LED power supply 24 V DC, on/off switchable. Ceiling cut-out Installation depth mm, Length 210 mm, Width 40 mm, Weight 0,290 kg,, with max: 40 W, Delivery without bulb. Housing material: Plastic, Permissible ambient temperature (ta): -20 °C - +25 °C, Protection class (EN 61140): II, Degree of protection (DIN EN 60529): IP20. For direct connection to mains voltage, on/off switchable. Additionally this luminaire is ENEC-protected by an independent laboratory.

Article data	
Article no.	17241000
GTIN	4251433939054
Short description	LED power supply 24 V DC, on/off switchable
Material	Plastic
Length	210 mm
Width	40 mm
Hight	30 mm
Weight	0.290 kg

Operating technology of driver	
AC nominal voltage max	230 V
Frequenz max.	50 Hz
Protection class	II
Degree of protection	IP20
Power	40 W
Control	on/off
Enviroment temprature (ta)	-20°C bis +45°C
Measure point (tc)	max. +85°C

All technical data as well as, weight and measurements are based on rated values and had been carefully prepared. We reserve the right to make technical changes which are important in progressing. Product pictures are examples and can vary from the original. Subject to errors.

Date 01.12.2022 Orders are placed under our general terms and conditions under <https://www.brumberg.com/en/terms-and-conditions/general-terms-and-conditions-of-sale/>

LED power supply 24 V DC, on/off switchable
Article no. 17241000

Light.
For Generations.

Packing data	
Gross weight	0.308 kg
Length of packaging	45 mm
Packaging width	35 mm
Packaging height	220 mm
Disposal at end of life	<p>This product must not be disposed of with household waste. You are obliged, to dispose of such electrical waste separately.</p> <p>By disposing of electrical waste and other old or defective electronics separately, you support recycling or other forms of re-use. In that way you help to take care and to avoid that harmful substances get into the environment.</p>