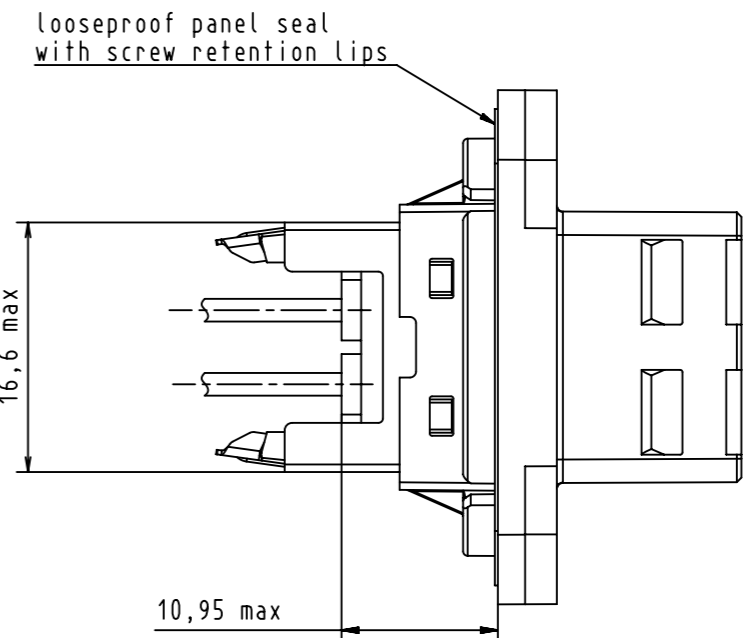
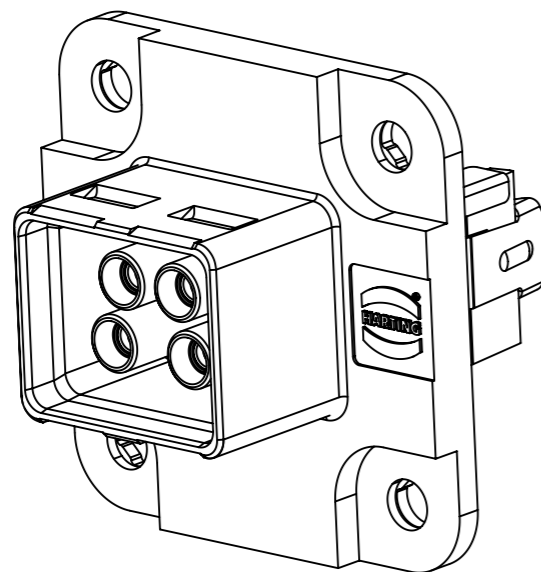


x4 stranded wires 1,5mm<sup>2</sup>

Connector pitches on panel = 35 mm  
Receptacle mating face acc. to  
IEC 61076-3-106 - variant 04

Screwing with x4 M3 screws with flat washer  
recommended screwing torque for IP67: 0,5 Nm min



	All Dimensions in mm Original Size DIN A3		Scale 2:1	Free size tol.		Ref.	
	All rights reserved Department EC PD - FR		Created by BOURGEOIS	Inspected by BAGDIKIAN	Standardisation HOFFMANN	Date 2014-06-17	State Final Release
HARTING Electronics GmbH D-32339 Espelkamp		Title HARTING PushPull EasyInstall 4-pole				Doc-Key / ECM-Nr. 100227376/UGD/001/B 50000075891	
		Type TB	Number 09462954430		Rev. B	Page 1/1	