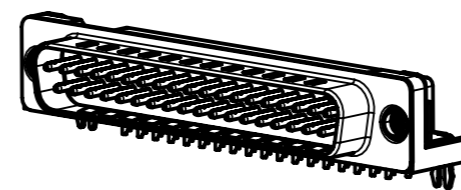
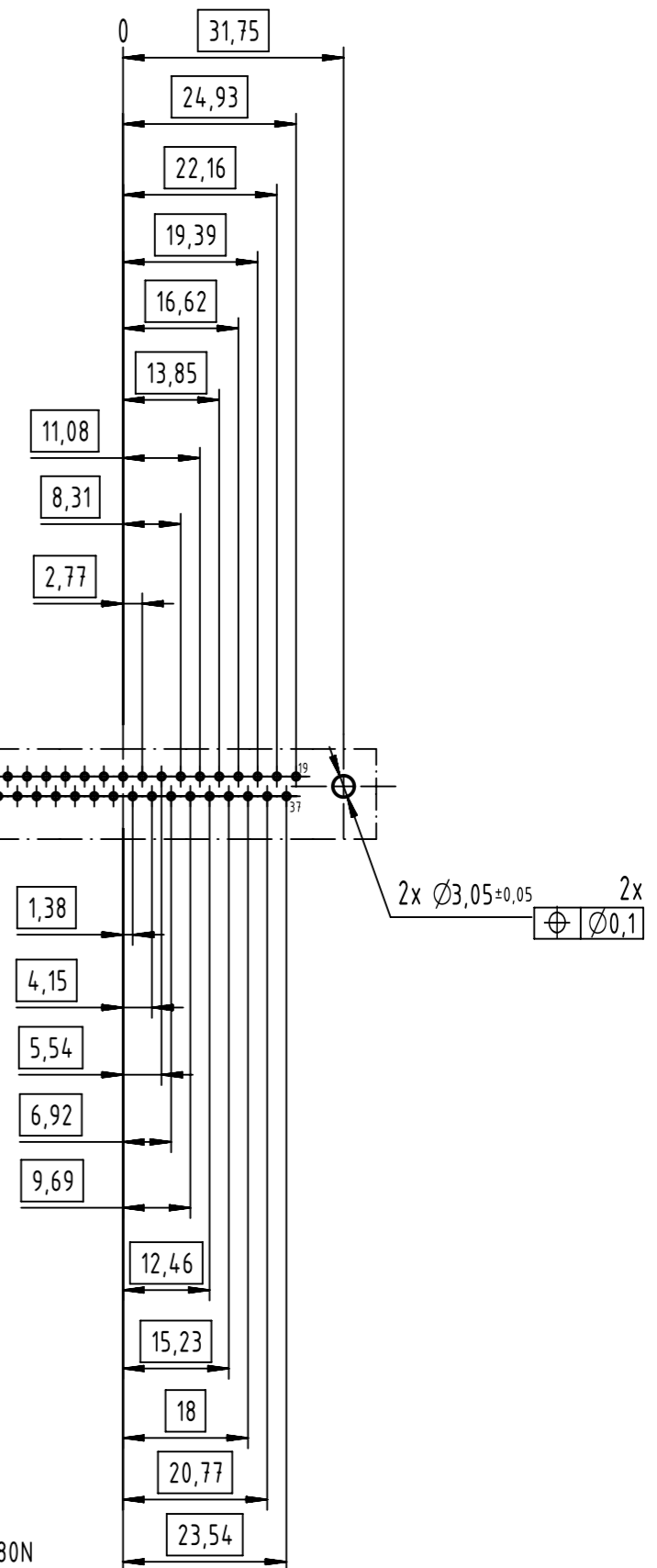


PC-Board layout
view component side
thickness 1,6mm



Connector insertion force on PCB = maxi 80N

09684637811	M3	PL3
09684635811	M3	S4
09684637812	4-40 UNC	PL3
09684635812	4-40 UNC	S4
Part number	Nut thread	Performance level

	All rights reserved	Created by ZHUANGJ	Inspected by LUOK	Standardisation ROEBEN	Date 2021-08-31	State Final Release
	Department EL PD	Title D-Sub STD 37P male angled board locks			Doc-Key / ECM-Nr. 100539984/UGD/001/C 50000201818	
HARTING D-32339 Espelkamp	Type TB	Number 0968463X81X		Rev. C	Page 1/1	