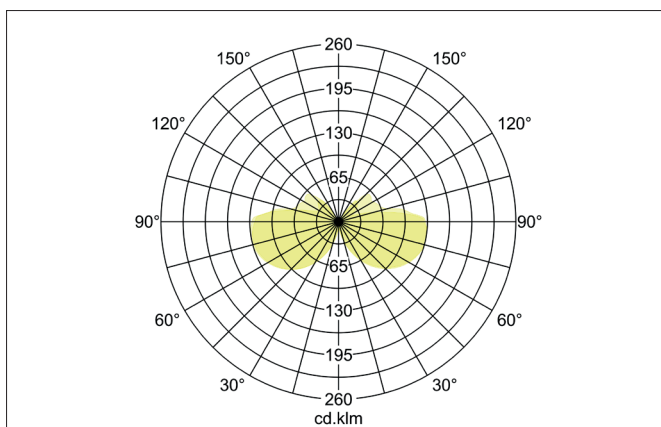
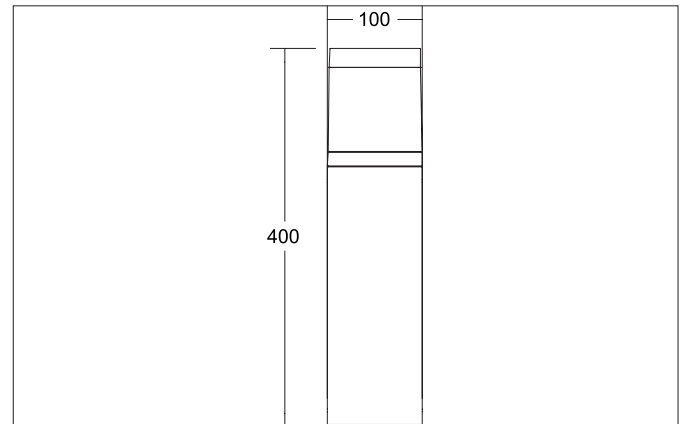


**STICK Bollard light, IP65, height 400 mm**

Article no. 60019183

Light.  
For Generations.**Tender**

Bollard light, IP65, height 400 mm, Round. Ceiling cut-out Installation depth mm, Weight 1,150 kg, with rotationssymmetrical, deep, wide distributed light intensity. optimal light distribution due to a polycarbonat opal cover. Luminous flux 530 lm, Power 1 x 8 W, System Efficiency 66 lm/W, Light colour neutral white to warm white, Correlated color temperature (CCT) 4.000 - 3.000 K, Colour rendering index CRI > 80, Housing material: Aluminium / Plastic, Colour: Black, Permissible ambient temperature (ta): -20 °C - +25 °C, Protection class (EN 61140): I, Degree of protection (DIN EN 60529): IP65, shock resistance according to IEC62262: IK08 .With electronic driver, on/off switchable.

Article data	
Article no.	60019183
GTIN	4251433971887
Series name	STICK
Short description	Bollard light, IP65, height 400 mm
Material	Aluminium / Plastic
Colour	Black
Type of surface	Structure
Shape	Round
Hight	400 mm
Scope of delivery	incl. converter for connection to 230 V mains voltage
Weight	1.150 kg

**STICK Bollard light, IP65, height 400 mm**

Article no. 60019183

Light.  
For Generations.

Lighting technology	
Colour temperature	3.000 K / 4.000 K
Light colour	White
Light output	Direct
Luminous flux	530 lm
System efficiency	66 lm/W
Colour rendering	CRI > 80
Reflector	Other
Beam angle	120°
Light sharing	Symmetric

Operating technology of the luminaire	
Voltage type	AC
AC nominal voltage max	230 V
Frequenz max.	50 Hz
Lamp	LED
Protection class	I
Degree of protection	IP65
Control	on/off
Bulb change possible	The light source of this luminaire may only be replaced by the manufacturer or a service technician commissioned by him or a similarly qualified person.

Mounting technology	
Mounting method	Surface mounting
Place of installation	Floor-mounted
Adjustability	Not adjustable
Impact resistance	IK08
Material cover	Polycarbonat opal
Suitable for through-wiring	No

Packing data	
Gross weight	1.5 kg
Length of packaging	540 mm
Packaging width	165 mm
Packaging height	145 mm
Disposal at end of life	This product must not be disposed of with household waste. You are obliged, to dispose of such electrical waste separately. By disposing of electrical waste and other old or defective electronics separately, you support recycling or other forms of re-use. In that way you help to take care and to avoid that harmful substances get into the environment.

Accessories	
-------------	--