

## Wall mounting socket outlet, switched, interlocked - housing dimensions 260x160

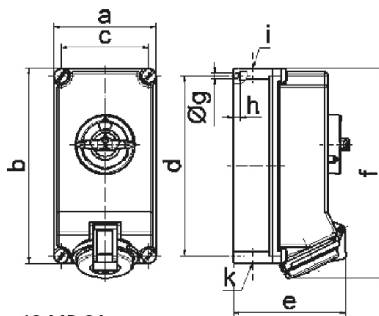


Product description	
BALS-Prd.-Nr	160438
EAN	4024941192682
Product category	TE wall mounting socket outlet, switched, interlocked
Current	32A
Number of poles	7p
Poles	6p+PE
Position of earth contact	6 h
Voltage	400V

<b>Product description</b>	
Frequency	50 and 60Hz
Protection degree	IP44
Colour code	red RAL 3000
Colour of appliance	Hinged lid red RAL 3000, Housing screws grey RAL 7035, Housing bottom grey RAL 7035, Housing top grey RAL 7035, Control knob grey RAL 7035
Connection design	with screw terminal
Maximum conductor size	10,0 qmm
Cable entry	top entry M40 bottom entry M40/M32
Height	287mm
Width	160mm
Depth	165mm
Dimension of enclosure	260x160 mm (HxW)
Material of enclosure	Polycarbonate
Contact	The contact carrier is made of high temperature resistant material, the contacts are brass nickel plated

<b>Additional technical properties</b>	
	The cable entry is two at top open and two at bottom closed
	In 0-position lockable for 4 padlocks with bow diameter up to 7 mm, With N.O.contact normally open

Logistics data	
Weight/pcs	1.905 kg / Piece
Packaging	Carton
Content amount	1 ST
EAN	4024941192682
Length	325 mm
Width	217 mm
Height	210 mm
Weight	2.121 kg
Volume	13,588.4 ccm



12 MB 84

Ampere	16	32					
Polzahl	7	7					
a	118,0	118,0					
b	225,0	225,0					
c	101,0	101,0					
d	208,0	208,0					
e	134,0	144,0					
f	242,0	251,0					
g ø	6,5	6,5					
h	8,0	8,0					
i	2 x M25	2 x M25					
k	2 x M25	2 x M25					