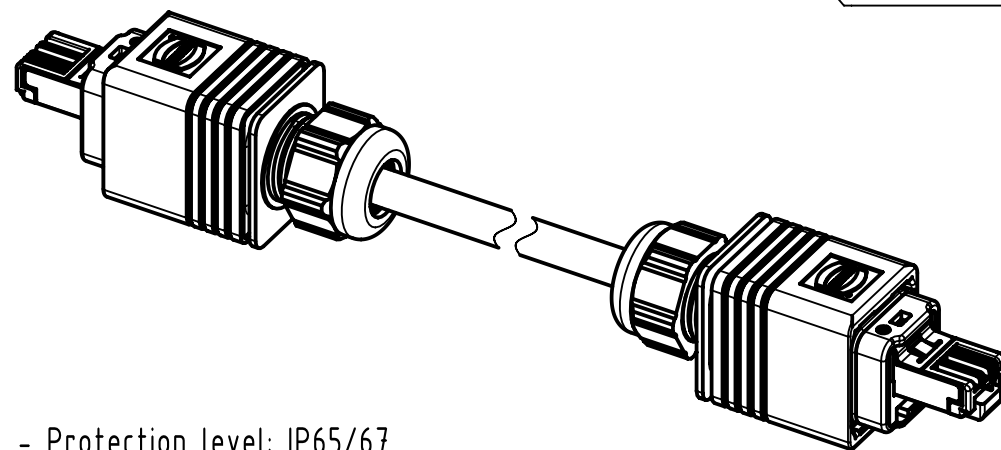
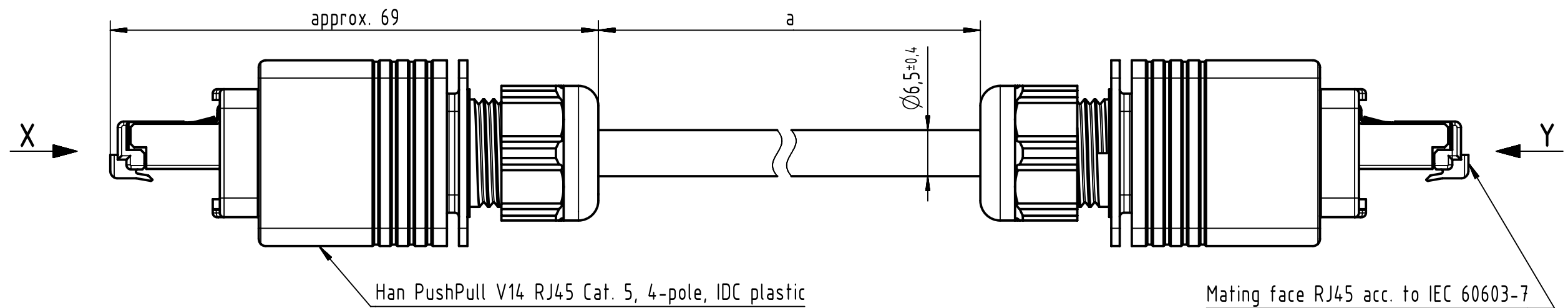


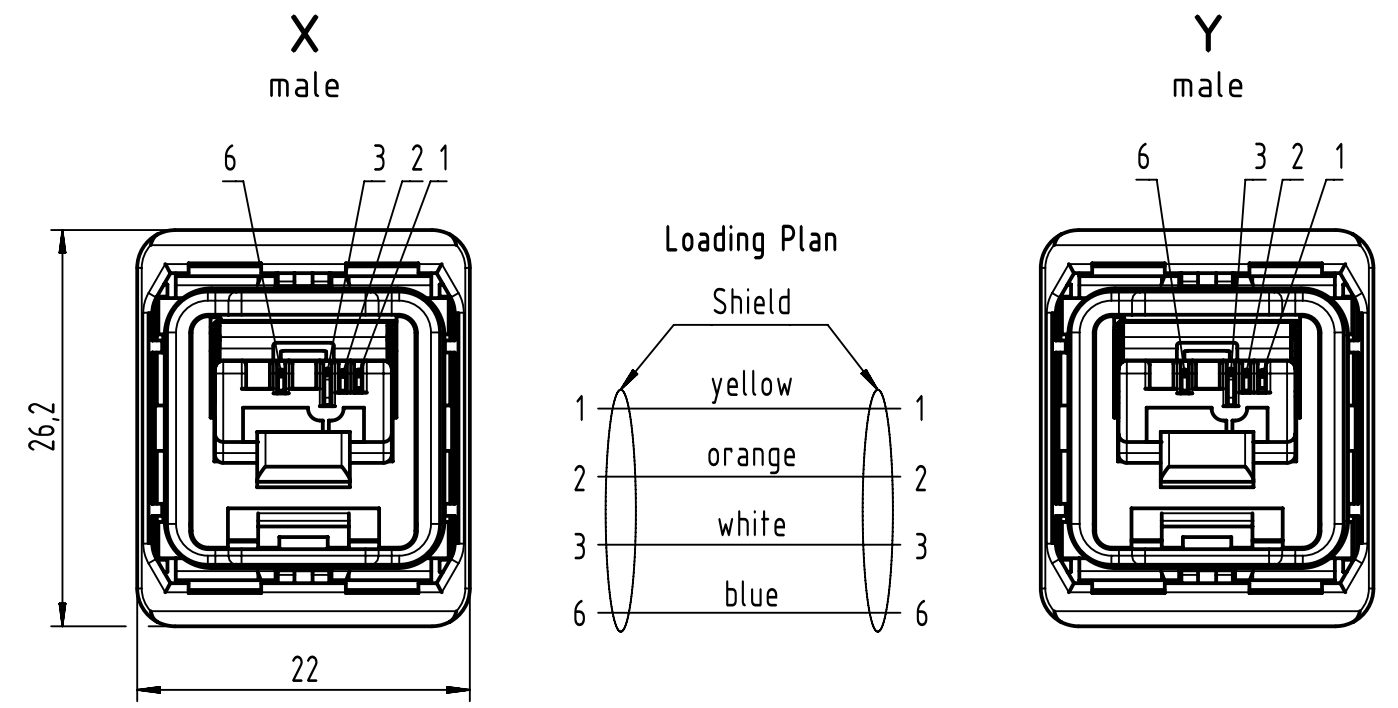
Connector Location A

Connector Location B

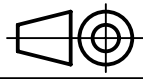



- Protection level: IP65/67
 - Temperature range: -30°C ... +70°C

Cont. no.	Part no.	Type of cable	Dim. a[m]
22	09475555022	HAR PROFINET Typ A 4xAWG 22/1 PVC green	100 ±1
21	09475555021		90 ±0.9
20	09475555020		80 ±0.8
19	09475555019		70 ±0.7
18	09475555018		60 ±0.6
17	09475555017		50 ±0.5
16	09475555016		40 ±0.4
15	09475555015		30 ±0.3
14	09475555014		20 ±0.2
13	09475555013		15 ±0.15
12	09475555012		10 ±0.1
11	09475555011		9 ±0.09
10	09475555010		8 ±0.08
9	09475555009		7 ±0.07
8	09475555008		6 ±0.06
7	09475555007		5 ±0.05
6	09475555006		4 ±0.04
5	09475555005		3 ±0.03
4	09475555004		2 ±0.02
3	09475555003		1.5 ±0.015
2	09475555002		1 ±0.01
1	09475555001		0.5 ±0.01



All rights reserved Department HCS - RO		Tech. Character. Created by COSTEA Costea Inspected by 402676 Gross		Free size tol. Standardisation MUNTEANV Muntean		According to production drawing Date 2023-06-08 State Final Release	
HARTING Customised Solutions D-32339 Espelkamp		Title RJ Industrial Cable Assembly Type TB Number 09475555XXX				Doc-Key / ECM-Nr. 100155398/UGD/004/E 500000245667 Rev. E Page 1/2	

1	2	3	4	5	6	7	8			
<p>HAR PROFINET Typ C 4xAWG 22/7 PUR Trail. green</p>				66	09475555082		100 ±1			
				65	09475555081		90 ±0.9			
				64	09475555080		80 ±0.8			
				63	09475555079		70 ±0.7			
				62	09475555078		60 ±0.6			
				61	09475555077		50 ±0.5			
				60	09475555076		40 ±0.4			
				59	09475555075		30 ±0.3			
				58	09475555074		20 ±0.2			
				57	09475555073		15 ±0.15			
				56	09475555072		10 ±0.1			
				55	09475555071		9 ±0.09			
				54	09475555070		8 ±0.08			
				53	09475555069		7 ±0.07			
				52	09475555068		6 ±0.06			
				51	09475555067		5 ±0.05			
				50	09475555066		4 ±0.04			
				49	09475555065		3 ±0.03			
48	09475555064		2 ±0.02							
47	09475555063		1.5 ±0.015							
46	09475555062		1 ±0.01							
45	09475555061		0.5 ±0.01							
<p>HAR PROFINET Typ B 4xAWG 22/7 PVC green</p>				44	09475555052		100 ±1			
				43	09475555051		90 ±0.9			
				42	09475555050		80 ±0.8			
				41	09475555049		70 ±0.7			
				40	09475555048		60 ±0.6			
				39	09475555047		50 ±0.5			
				38	09475555046		40 ±0.4			
				37	09475555045		30 ±0.3			
				36	09475555044		20 ±0.2			
				35	09475555043		15 ±0.15			
				34	09475555042		10 ±0.1			
				33	09475555041		9 ±0.09			
				32	09475555040		8 ±0.08			
				31	09475555039		7 ±0.07			
				30	09475555038		6 ±0.06			
				29	09475555037		5 ±0.05			
				28	09475555036		4 ±0.04			
				27	09475555035		3 ±0.03			
26	09475555034		2 ±0.02							
25	09475555033		1.5 ±0.015							
24	09475555032		1 ±0.01							
23	09475555031		0.5 ±0.01							
Cont. no.	Part no.	Type of cable	Dim. a[m]							
				110	09475555182	100 ±1				
				109	09475555181	90 ±0.9				
				108	09475555180	80 ±0.8				
				107	09475555179	70 ±0.7				
				106	09475555178	60 ±0.6				
				105	09475555177	50 ±0.5				
				104	09475555176	40 ±0.4				
				103	09475555175	30 ±0.3				
				102	09475555174	20 ±0.2				
				101	09475555173	15 ±0.15				
				100	09475555172	10 ±0.1				
				99	09475555171	9 ±0.09				
				98	09475555170	8 ±0.08				
				97	09475555169	7 ±0.07				
				96	09475555168	6 ±0.06				
				95	09475555167	5 ±0.05				
				94	09475555166	4 ±0.04				
				93	09475555165	3 ±0.03				
				92	09475555164	2 ±0.02				
				91	09475555163	1.5 ±0.015				
				90	09475555162	1 ±0.01				
				89	09475555161	0.5 ±0.01				
				<p>HAR PROFINET Typ C 4xAWG 22/19 PUR Tors. green</p>						
				<p>HAR PROFINET Typ B 4xAWG 22/7 PVC outdoor black</p>						
				Cont. no.	Part no.	Type of cable	Dim. a[m]			
				 <p>All Dimensions in mm</p>						
				Tech. Character.		Free size tol.	According to production drawing			
				 <p>All rights reserved Department HCS - RO</p>		<p>Created by COSTEA Costea</p>	<p>Inspected by 402676 Gross</p>	<p>Standardisation MUNTEANV Muntean</p>	<p>Date 2023-06-08</p>	<p>State Final Release</p>
				<p>Title RJ Industrial Cable Assembly</p>						
				<p>HARTING Customised Solutions D-32339 Espelkamp</p>		<p>Type TB</p>	<p>Number 09475555XXX</p>	<p>Doc-Key / ECM-Nr. 100155398/UGD/004/E 500000245667</p>	<p>Rev. E</p>	<p>Page 2/2</p>
				<p>Cont. no.</p>						