

PCB + Insulation plate example

- General Information:
- Simplified representation
 - Document excluded from change process
 - Units are in millimeters [mm] and degrees [°]
 - Tolerances apply in a normal climate according to DIN EN ISO 291-23/50-2, PA plastic parts with about 2% (% by weight) moisture content.
 - Web: www.phoenixcontact.com webcode: #0308
 - In case of distortion there is no functional impact of the single part in the application.
 - = Workpiece zero point for mechanical processing

- Additional Information:
- A) Mounting rail like EN 60715, TH 35-7,5 or mounting rail similar EN 60715, TH 35-15x1,5
 - B) Breakthrough for ME 18,8 TBUS.../TBUS8 18,8...
 - C) Opening for ME BUS FE CONTACT
 - D) PCB t=1.6±0.2
 - E) PCB guidance
 - F) Fixing PCB
 - G) Latching point between Housing and Cover
 - H) Guidance for Cover (ME-IO...C...) or Insulation plate (ME-IO P...)
 - I) ME-IO P 10U (optional)

Pos.	QTY	description	material
1	1	HOUSING	PA
2	1	FOOT CATCH	STL
3	1	SPRING	SST

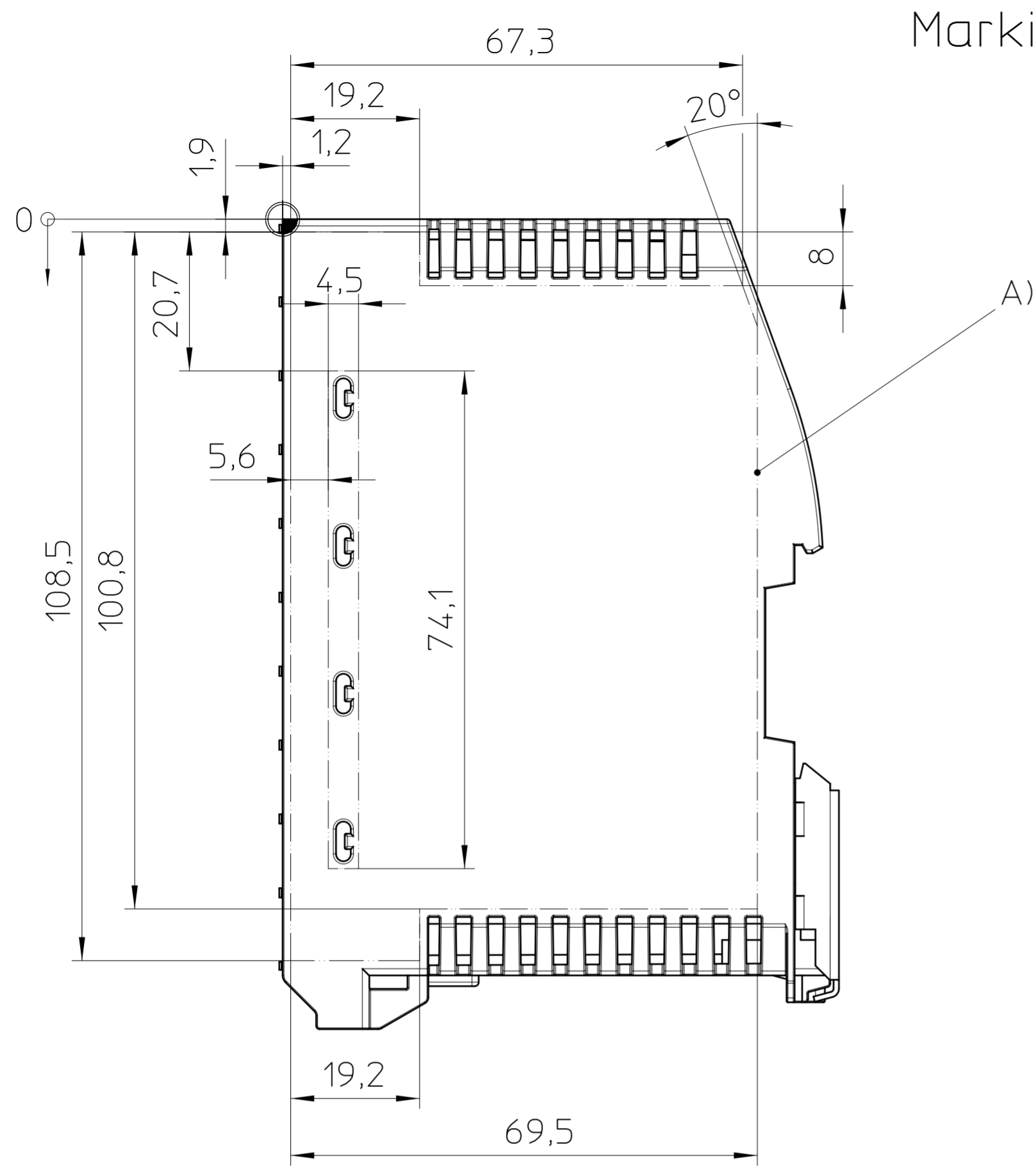
	DIN A2	document-No. / RI	01221428 / 06	date	28.04.2025	scale	1:1
		ident.-No.	1103438	document-type	TECDOC 2D_Productdrawing	description	
page 1	of 2	ME-IO 37,6 EB 10U TBUS 7035					

Transfer or duplication of this document as well as the utilisation or communication of its content are not permitted unless express consent is granted by Phoenix Contact AG. All rights reserved.

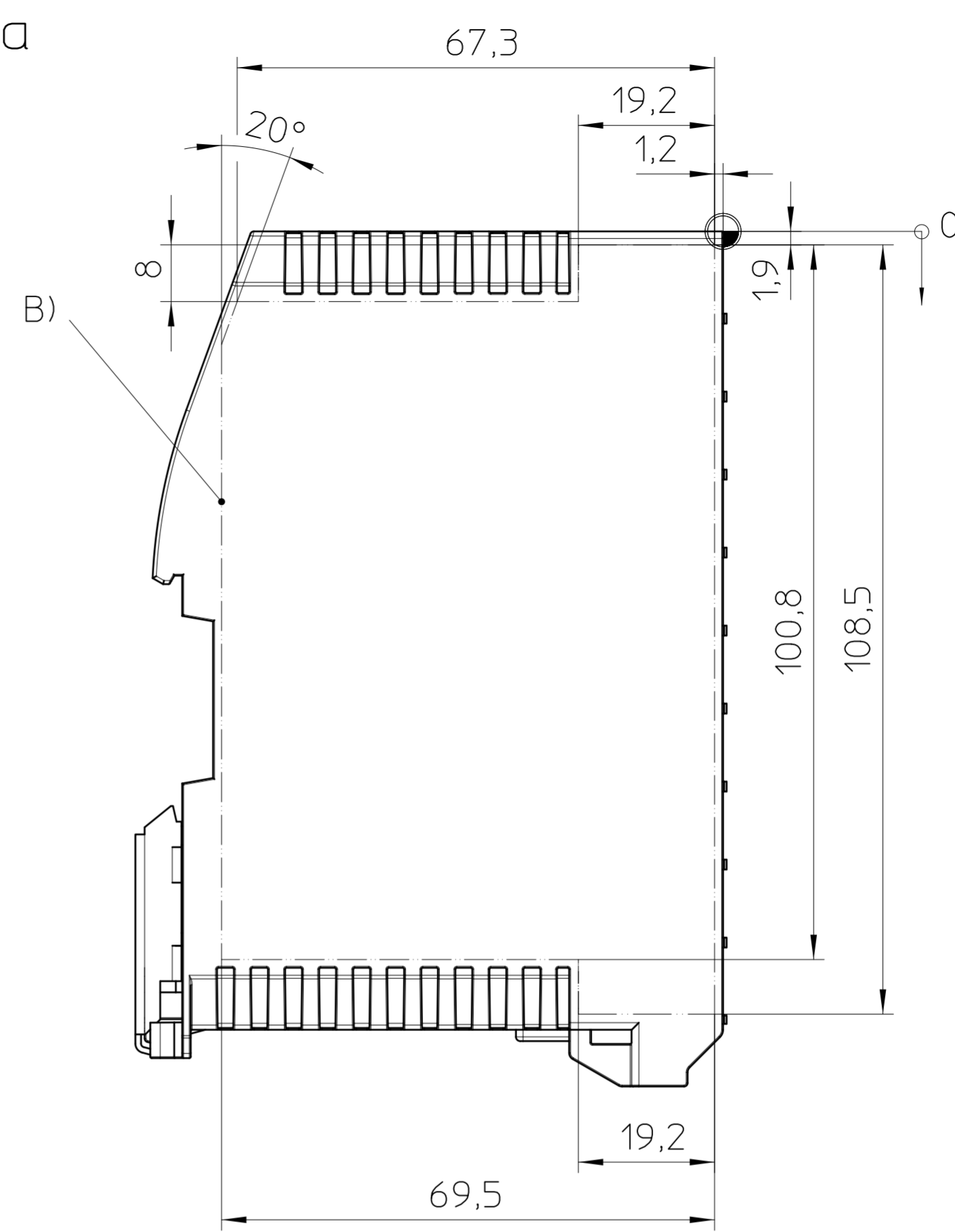
Weitergabe sowie Vervielfältigung dieses Dokuments, Verwertung und Mitteilung seines Inhalts sind verboten, soweit nicht ausdrücklich gestattet. Zuwiderhandlungen verpflichten zu Schadensersatz. Alle Rechte für den Fall der Patent-, Gebrauchsmuster- oder Designeintragung vorbehalten.

Transfer or duplication of this document as well as the utilisation or communication of its content are not permitted unless express consent is granted. Violations give rise to claims for damages. All rights reserved in case of patent, utility model or design patent registrations.


Weitergabe sowie Vervielfältigung dieses Dokuments, Verwertung und Mitteilung seines Inhalts sind verboten, soweit nicht ausdrücklich gestattet. Zuwiderhandlungen verpflichten zu Schadenersatz. Alle Rechte für den Fall der Patent-, Gebrauchsmuster- oder Designeintragung vorbehalten.



Marking area

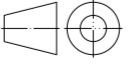



General Information:

- Simplified representation
- Document excluded from change process
- Units are in millimeters [mm] and degrees [°]
- Tolerances apply in a normal climate according to DIN EN ISO 291-23/50-2, PA plastic parts with about 2% (% by weight) moisture content.
-  Workpiece zero point for mechanical processing
- Tolerances for printing DIN ISO 2768-m
- In case of distortion there is no functional impact of the single part in the application.
- Web: www.phoenixcontact.com webcode: #0308

Additional Information:

- A) Marking area right
- B) Marking area left

 DIN A3 	document-No. / RI 01221428 / 06	date 28.04.2025	scale 1:1
	ident.-No. 1103438	document-type TECDC 2D_Productdrawing	
description ME-IO 37,6 EB 10U TBUS 7035			
page 2	of 2		