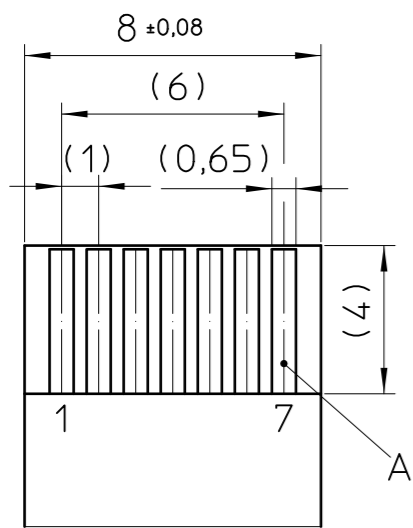


Transfer or duplication of this document as well as the utilisation or communication of its content are not permitted unless express consent is granted. Violations give rise to claims for damages. All rights reserved in case of patent, utility model or design patent registrations.

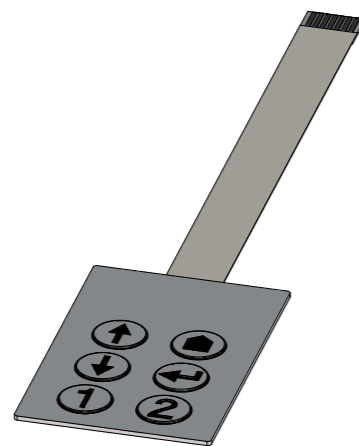
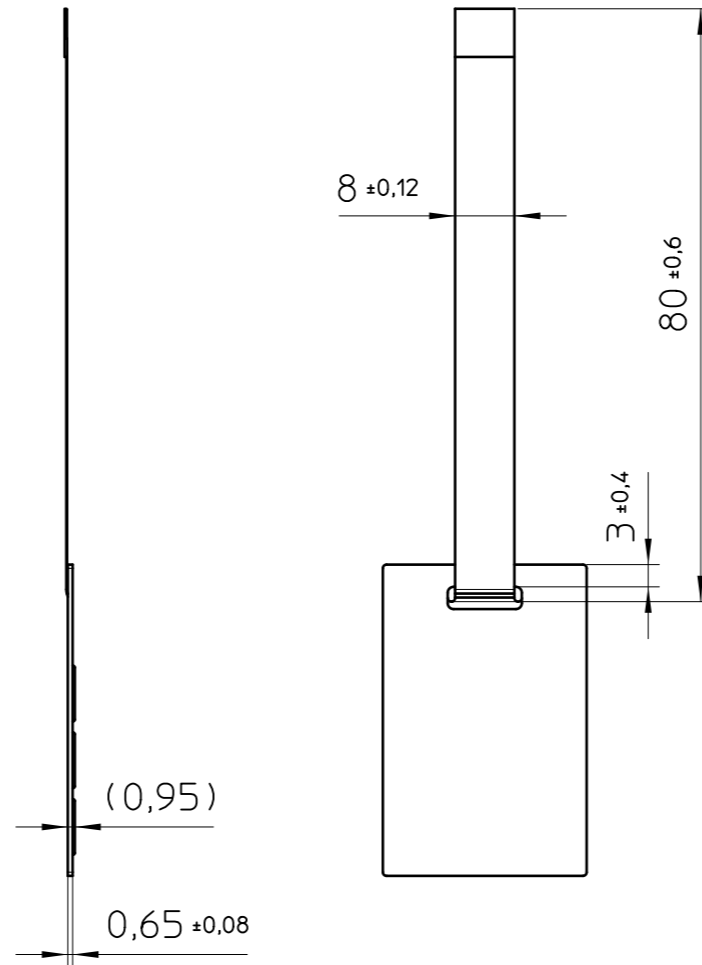
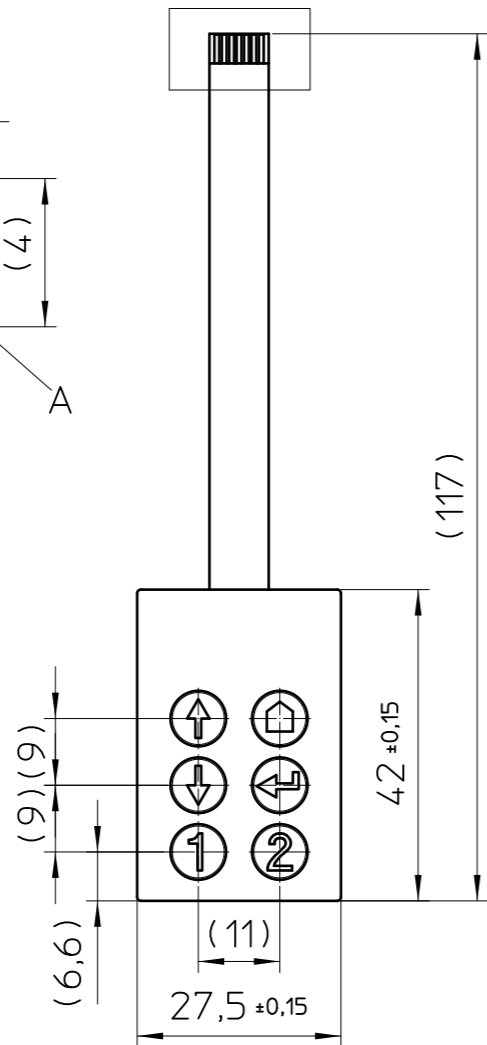
Weitergabe sowie Vervielfältigung dieses Dokuments, Verwertung und Mitteilung seines Inhalts sind verboten, soweit nicht ausdrücklich gestattet. Zuwiderhandlungen verpflichten zu Schadensersatz. Alle Rechte für den Fall der Patent-, Gebrauchsmuster- oder Designeintragung vorbehalten.

KEYPAD



Detail1
5:1

Detail1



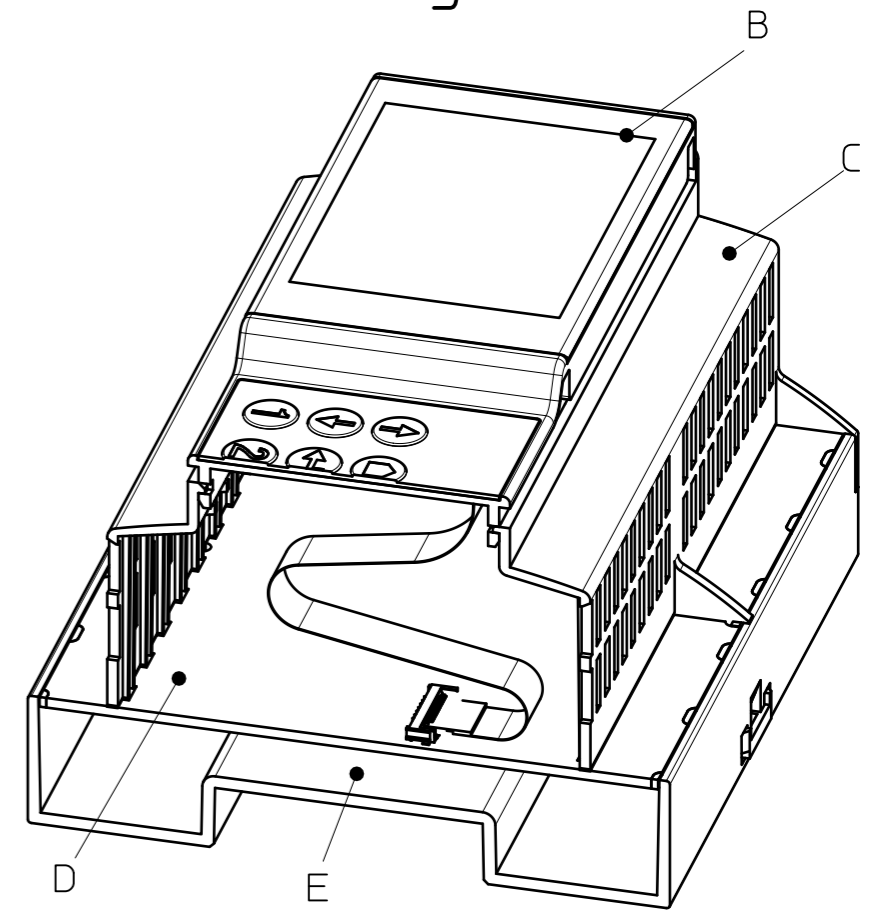
General Information:

- Simplified representation, exemplary shown in gray.
- Document excluded from change process
- Dimensions in millimeters [mm], angles in [°]
- Web: www.phoenixcontact.com webcode: #1640

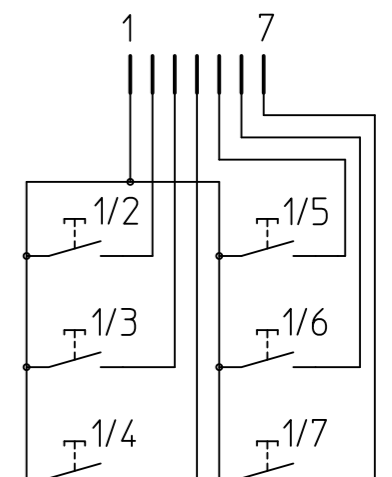
Additional Information:

- A. FFC keypad, $t=0,3\pm0,06$, 7 contacts, carbon plated
- B. BC 107,6 DKL R D2,4 KPG
- C. BC 107,6 OT U11
- D. PCB 1
- E. BC 107,6 UT

Assembly example keypad in BC-Housing



Wiring diagram



Pos.	QTY	Description	Material
1	1	KEYPAD	plastic
DIN A3		document-No. / RI	date
PHOENIX CONTACT		01388199 / 01	23.04.2025
page 1 of 1		ident.-No.	scale
		1337344	1:1
		description	
		TECDOC 2D_Productdrawing	
		KP BC K6 C2 P7	