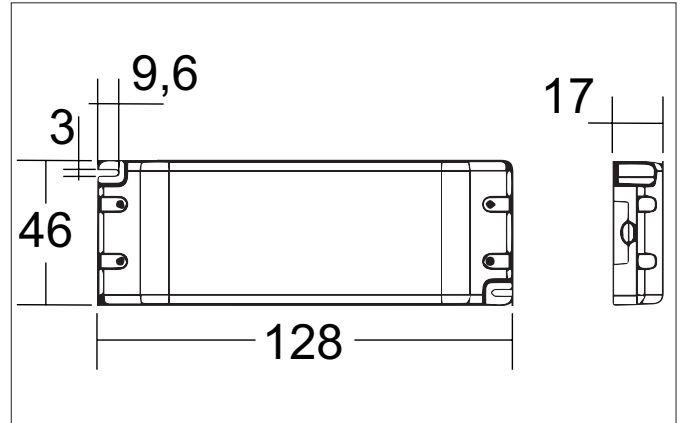




Zubehör LED power supply
Article no. 17111000



Tender
LED power supply, white, Rectangular. Material: Plastic, Degree of protection: according to DIN EN 60529 IP20, Protection class: (EN 61140) II, Voltage: 230V AC 50Hz, Power: 15 W, Dimmable: No, Type of dimming: on/off.

Article data	
Article no.	17111000
GTIN	4255752524366
Series name	Zubehör
Short description	LED power supply
Material	Plastic
Colour	white
Shape	Rectangular
Length	103 mm
Width	35.5 mm
Hight	16.5 mm
Weight	0.071 kg
Length of the connection line	3,000 mm
Conformance	CE, UKCA



Zubehör LED power supply

Article no. 17111000

Operating technology of driver	
AC nominal voltage min	198 V
AC nominal voltage max	264 V
Frequency min	47 Hz
Frequency max	63 Hz
Protection class	II
Degree of protection	IP20
Power	1 W
Power max.	15 W
Output_ripple_current	400
Starting current	65 A
Suitable for emergency lighting	No
Power factor	0.7
Output voltage max	12.00 V
Control	on/off
Connection type-primary	Cable
Connection type-secondary	Plug clamp
Number of poles	2
Environment temperature (ta)	-20°C bis +45°C
Measure point (tc)	max. +85°C
Average nominal lifespan	30000 h
Output current	1.250 mA
Length of the connection line	3,000 mm
Design of the connecting cable	Sekundärseitige Anschlussleitung mit Flachstecker

Packing data	
Gross weight	0.085 kg
Length of packaging	100 mm
Packaging width	100 mm
Packaging height	100 mm
Disposal at end of life	This product must not be disposed of with household waste. You are obliged, to dispose of such electrical waste separately. By disposing of electrical waste and other old or defective electronics separately, you support recycling or other forms of re-use. In that way you help to take care and to avoid that harmful substances get into the environment.

Optional accessories	
Article no.: 17107000 6-way distributor 12 V DC for 17106/17110 Leistung: 30 W https://www.brumberg.com/fileadmin/products/Datenblatt_17107000_2021_DE.pdf	
Article no.: 17108000 Extension cable 12 V DC for 17106/17110/17107 https://www.brumberg.com/fileadmin/products/Datenblatt_17108000_2021_DE.pdf	