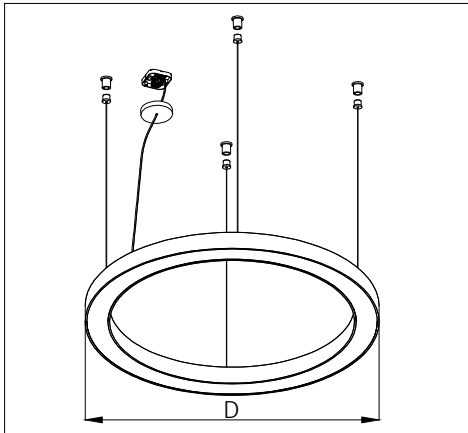


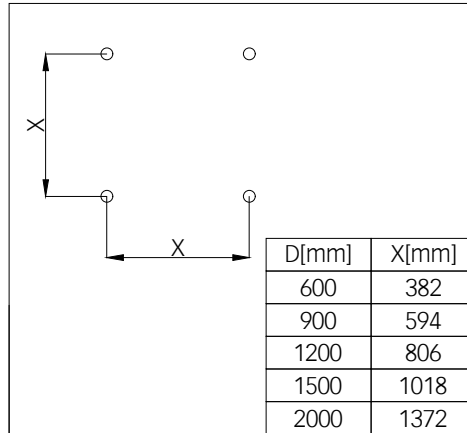
## RINGO STAR G3/P3 | SYSTEM 60MM SUSPENDED

-PARALLEL SUSPENSION | D600-D2000

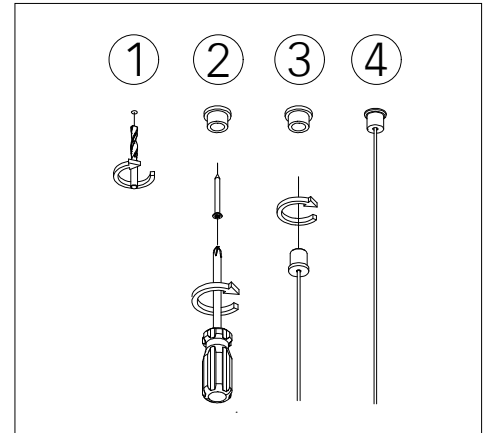
### 1. MONTAGE UND INSTALLATION | MOUNTING AND INSTALLATION:



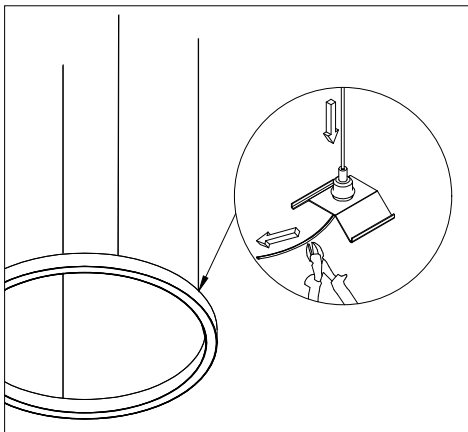
1. Bei allen Montagearbeiten Handschuhe tragen.  
 Use gloves when handling the fixture.



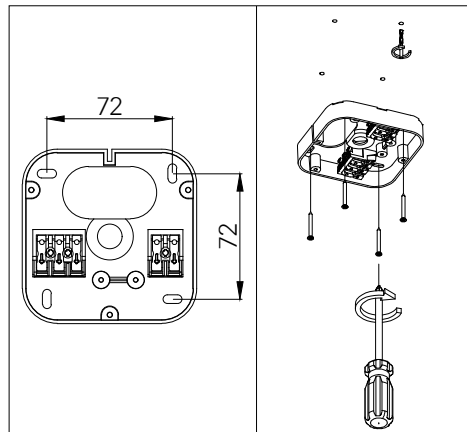
2. Montageöffnungen.  
 Installation openings.



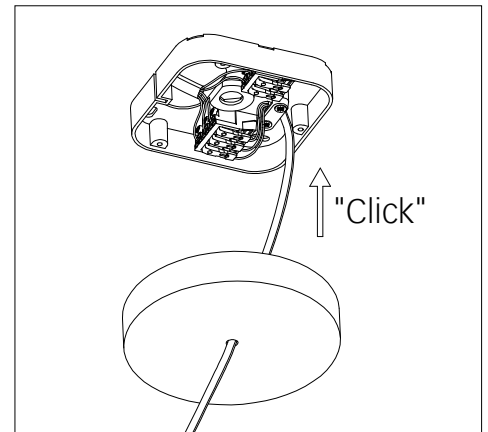
3.



4. After levelling the luminaire at the desired height,  
 cut off the excess of the suspension cord.

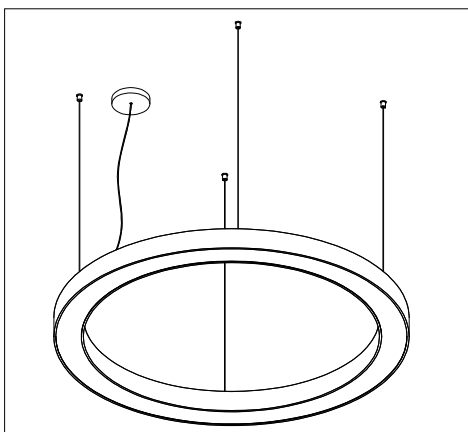


5.



6.

- min/max stripped wire length: 7mm-10mm  
 - max power supply cable: 1,5mm<sup>2</sup>



7.