

---

**WORKLIGHT VALUE H-STAND**

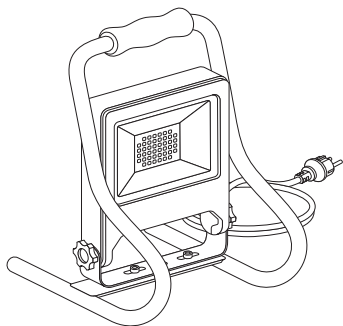

---



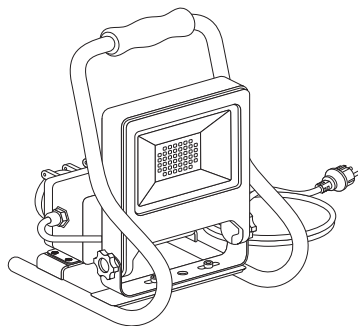
	EAN	l x w x h [mm]	W	V <sub>AC</sub>	Hz	lm	lm/W	K
WORK VAL 50W/4000K H-STAND IP65	4058075322493	264 x 270 x 375	50	220-240V	50/60 Hz	4500	90	4000
WORK VAL 50W/4000K H-STAND-PO IP44	4058075322516	278 x 270 x 375	50	220-240V	50/60 Hz	4500	90	4000

	EAN	IP	IK	∇	R <sub>a</sub>	° (°C)	PF	👤
WORK VAL 50W/4000K H-STAND IP65	4058075322493	65	06	110°	≥ 80	-20...+45	> 0.9	2.3kg
WORK VAL 50W/4000K H-STAND-PO IP44	4058075322516	44	06	110°	≥ 80	-20...+45	> 0.9	2.7kg

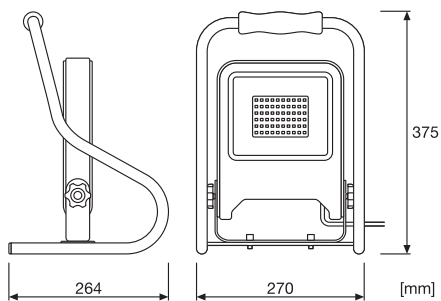
WORKLIGHT VALUE H-STAND



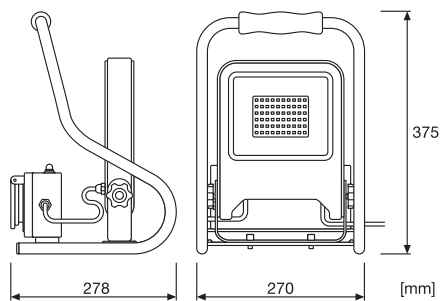
WORKLIGHT VALUE H-STAND-PO



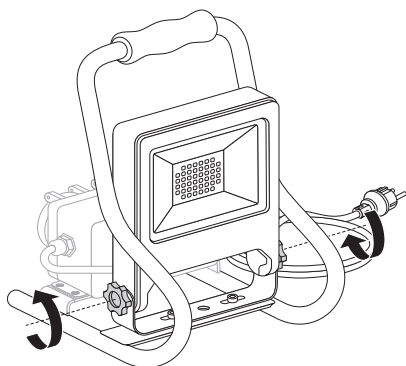
WORKLIGHT VALUE H-STAND



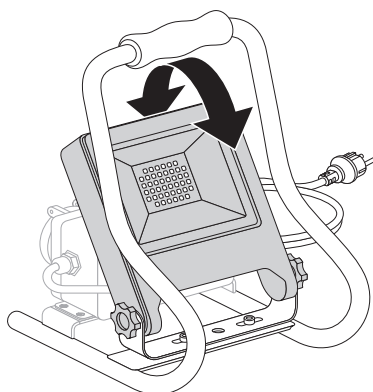
WORKLIGHT VALUE H-STAND-PO

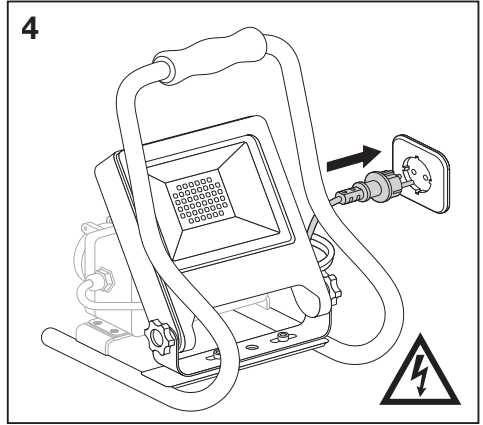
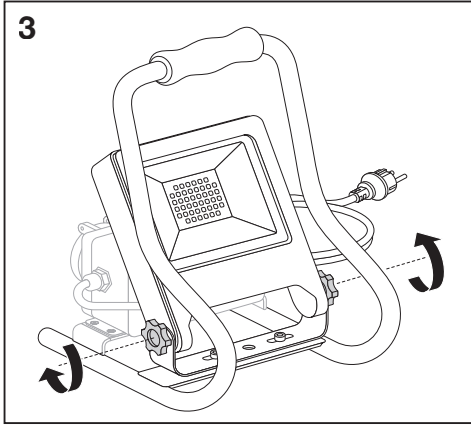


1

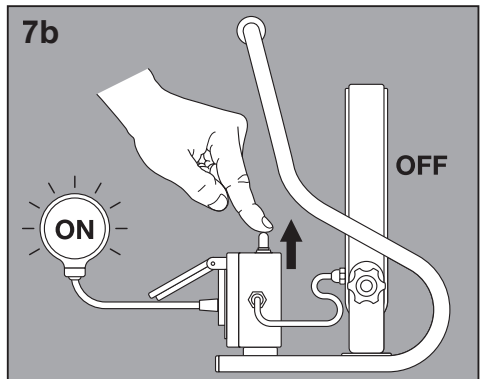
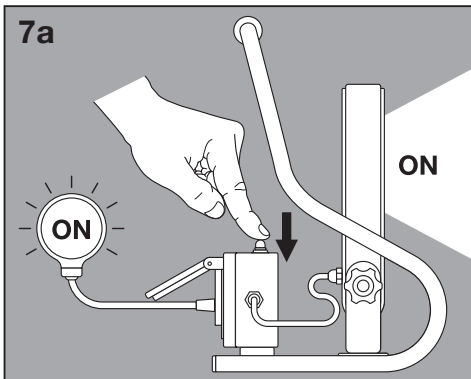
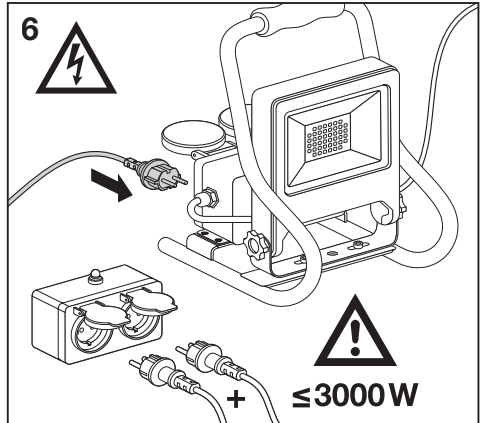
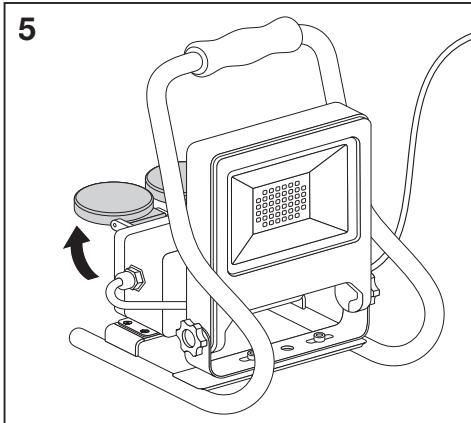


2

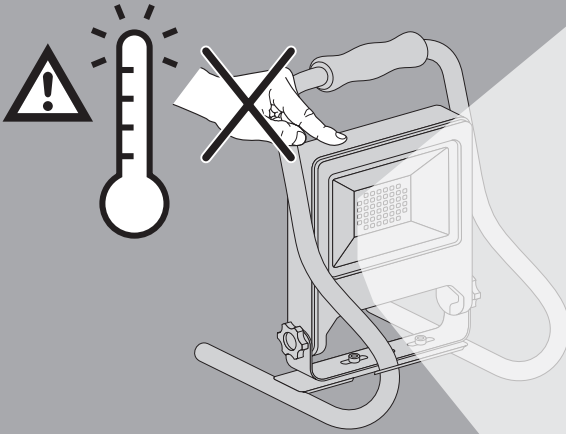




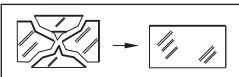
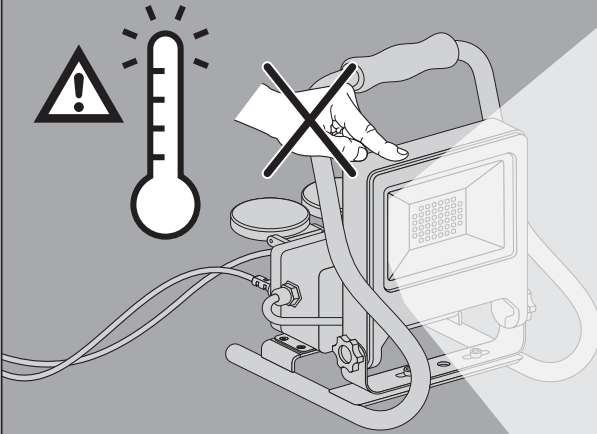
WORKLIGHT VALUE H-STAND-PO



## WORKLIGHT VALUE H-STAND



## WORKLIGHT VALUE H-STAND-PO

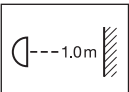












C10449057  
 G11077676  
 29.05.19



LEDVANCE GmbH  
 Steinerne Furt 62  
 86167 Augsburg, Germany  
[www.ledvance.com](http://www.ledvance.com)