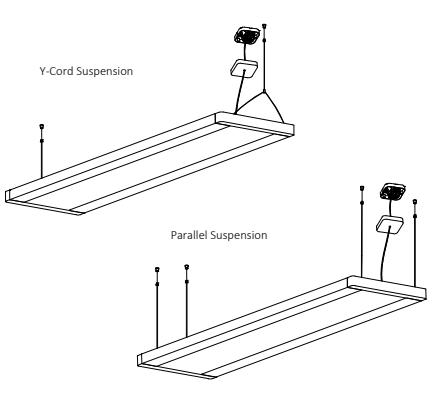


PLANK G4/P4 | SUSPENDED


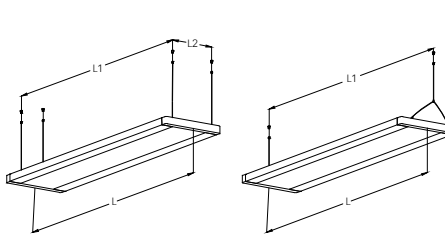
1. MONTAGE UND INSTALLATION | MOUNTING AND INSTALLATION:



Y-Cord Suspension

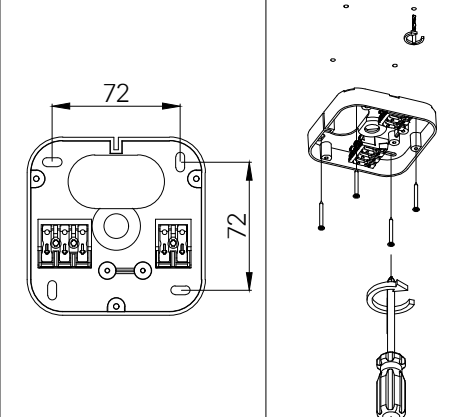
Parallel Suspension

1. Bei allen Montagearbeiten Handschuhe tragen.
 Use gloves when handling the fixture.

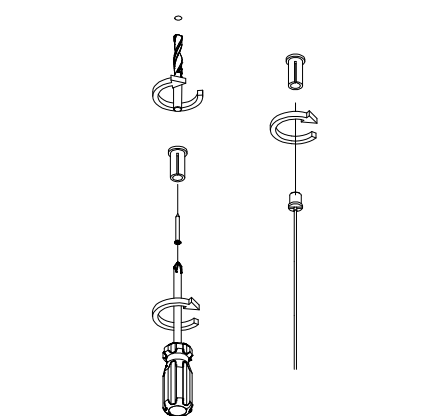



L2[mm]	L[mm]	L1[mm]
141.5	920	820
	1210	1100
	1500	1400
	1800	1700

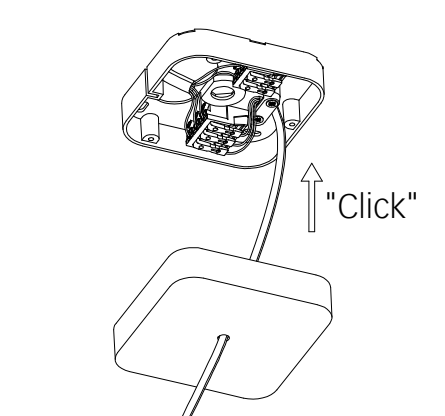
2. Montageöffnungen.
 Installation openings.



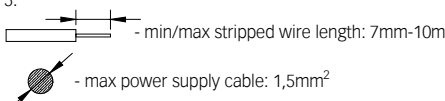
3. Leitungseinführung.
 Cable entry point.



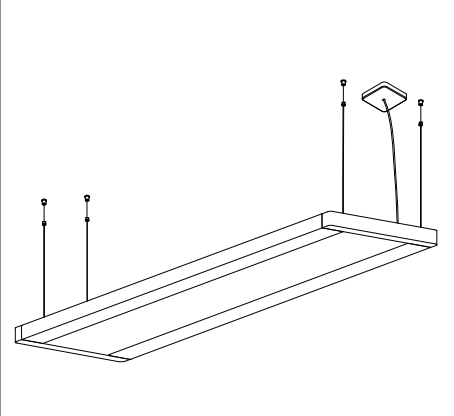
4.



5.



- min/max stripped wire length: 7mm-10mm
 - max power supply cable: 1,5mm²



6.