

## Connector - with screwless terminals, for harsh applications



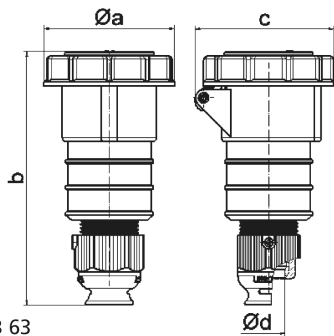
Product description	
BALS-Prd.-Nr	31306
EAN	4024941313063
product category (PG)	Connector QUICK-CONNECT TE
current (A)	16A
number of poles (P99)	5p
number of poles (P)	3p+N+PE
position of earth contact (H)	9 h
voltage (V)	120/208 up to 144/250V

Product description	
frequency (HZ)	50 and 60Hz
protection degree (SA)	IP67
colour code 1 (KF1)	blue RAL 5015
Colour of appliance	Enclosure blue RAL 5015, Hinged lid blue RAL 5015, Bayonet ring grey RAL 7035, Cable gland grey RAL 7035
connection design (AT)	screwless spring terminals as cage clamp with Kontex-contact
maximum conductor size (LQ)	2,5 qmm
cable entry (KE)	Cable gland
Height	168mm
Width	87mm
Depth	92mm
material of enclosure (GM)	Polyamide
contact	The contact carrier is made of high temperature resistant material, the contacts are brass nickel plated

Additional technical properties	
	For cable diameter from 10 up to max. 21 mm, Multi-Grip cable gland with gasket, integrated cable clamp and additional water evacuation openings

Logistics data	
Weight/pcs	0.246 kg / Piece
Packaging	Bag

Logistics data	
Content amount	1 ST
EAN	4024941313063
Length	92 mm
Width	87 mm
Height	168 mm
Weight	0.247 kg
Volume	1,344.672 ccm
Packaging	Carton
Content amount	10 ST
EAN	4024941835121
Length	258 mm
Width	183 mm
Height	212 mm
Weight	2.612 kg
Volume	8,750 ccm

	<b>Ampere</b>	16	16	16	32	32	32
	<b>Polzahl</b>	3	4	5	3	4	5
	a ø	70,5	78,0	86,5	94,0	94,0	101,5
	b	161,0	161,0	168,0	196,0	196,0	200,0
	c	77,0	83,0	93,0	99,0	99,0	107,0
	d ø	18,0	18,0	21,0	23,0	23,0	27,0
	Leiter mm <sup>2</sup> min	1	1	1	2,5	2,5	2,5
	Leiter mm <sup>2</sup> max	2,5	2,5	2,5	6	6	6