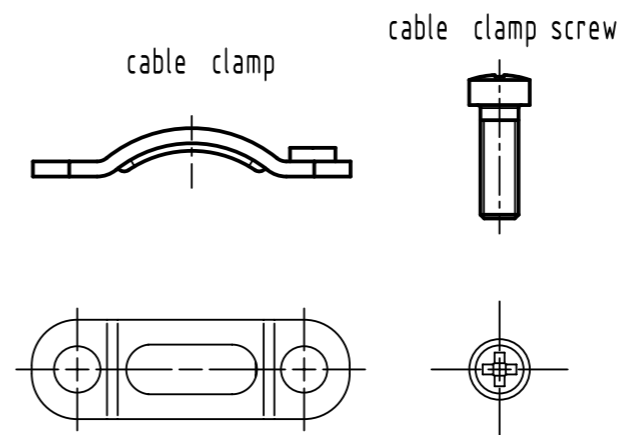
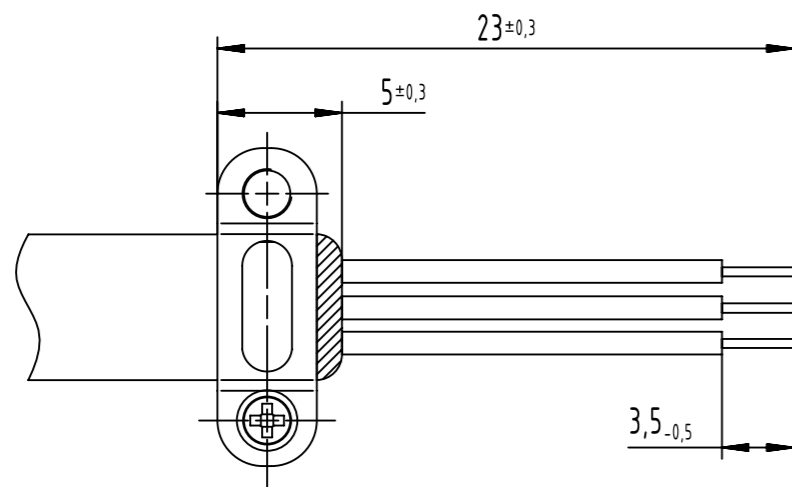


Mounting instructions:  
The stripped braid should not be fold back to avoid damaging the cable clamp and reducing its performance



	All rights reserved	Created by ZHUANGJ	Inspected by LUOK	Standardisation 302077	Date 2021-07-07	State Final Release
	Department EL PD	Title D-Sub IP67 09-pole black plastic hood			Doc-Key / ECM-Nr. 100955165/UGD/000/A 500000198749	
HARTING (Zhuhai) Manufacturing Co., Ltd. 519085 Zhuhai, China		Type TB	Number 09670090436		Rev. A	Page 1/1