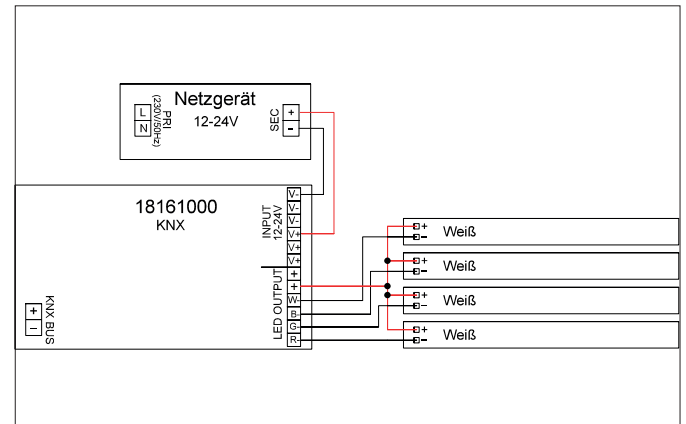
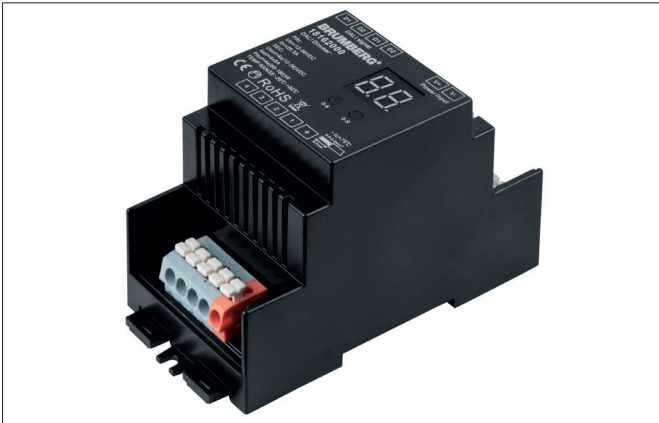


REG LED dimmer 12-24 V DC, dimmable

Article no. 18161000

Light.
For Generations.**Tender**

REG LED dimmer 12-24 V DC, dimmable. LED dimmer series for constant voltage operation (12-24 V DC) using 4 channels (one or more colors). Wiring is carried out using plug terminals and without using screws. Cable cross-section: 0.5-2.5 mm². An external power supply is required for operation; output signal (dimming): PWM (pulse width modulation), with protection against reverse polarity and overtemperature. Maximum output current: 10 A (4 x 2.5 A; 3 x 3.33 A; 2 x 5 A; 1 x 5 A). Maximum output power 12 V: 120 W (4 x 30 W; 3 x 40 W; 2 x 60 W; 1 x 60 W). Maximum output power 24 V: 240 W (4 x 60 W; 3 x 80 W; 2 x 120 W; 1 x 120 W) Material: Plastic, Degree of protection: according to DIN EN 60529 IP20, Protection class: (EN 61140) III, Voltage: 12V 24V, Power: 240 W, .

Article data	
Article no.	18161000
GTIN	4250047799849
Short description	REG LED dimmer 12-24 V DC, dimmable
Material	Plastic
Length	72 mm
Width	90 mm
Height	70 mm
Weight	0.164 kg

REG LED dimmer 12-24 V DC, dimmable

Article no. 18161000

Light.
For Generations.

Operating technology of driver	
Protection class	III
Degree of protection	IP20
Power min	1 W
Power max.	240 W
Control	KNX
Environment temperature (ta)	0°C up to 40°C
Measure point (tc)	max. +75 °C

Packing data	
Gross weight	0.192 kg
Length of packaging	95 mm
Packaging width	70 mm
Packaging height	75 mm
Disposal at end of life	This product must not be disposed of with household waste. You are obliged, to dispose of such electrical waste separately. By disposing of electrical waste and other old or defective electronics separately, you support recycling or other forms of re-use. In that way you help to take care and to avoid that harmful substances get into the environment.