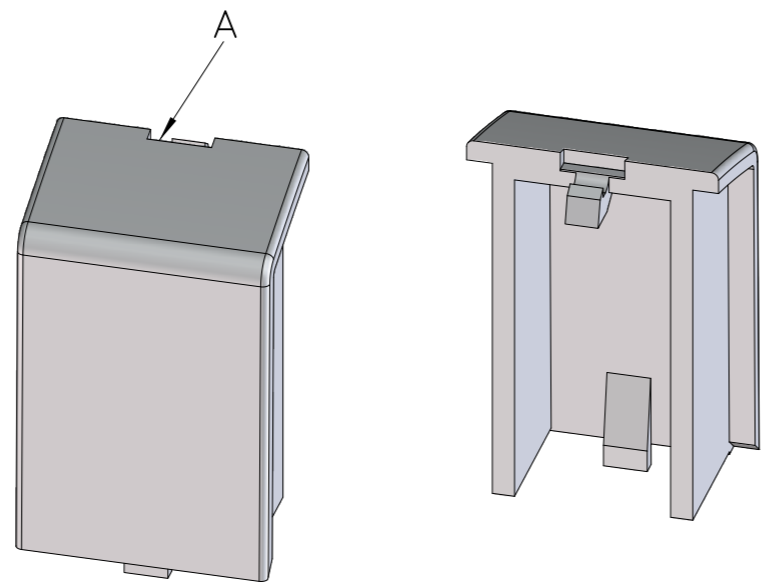
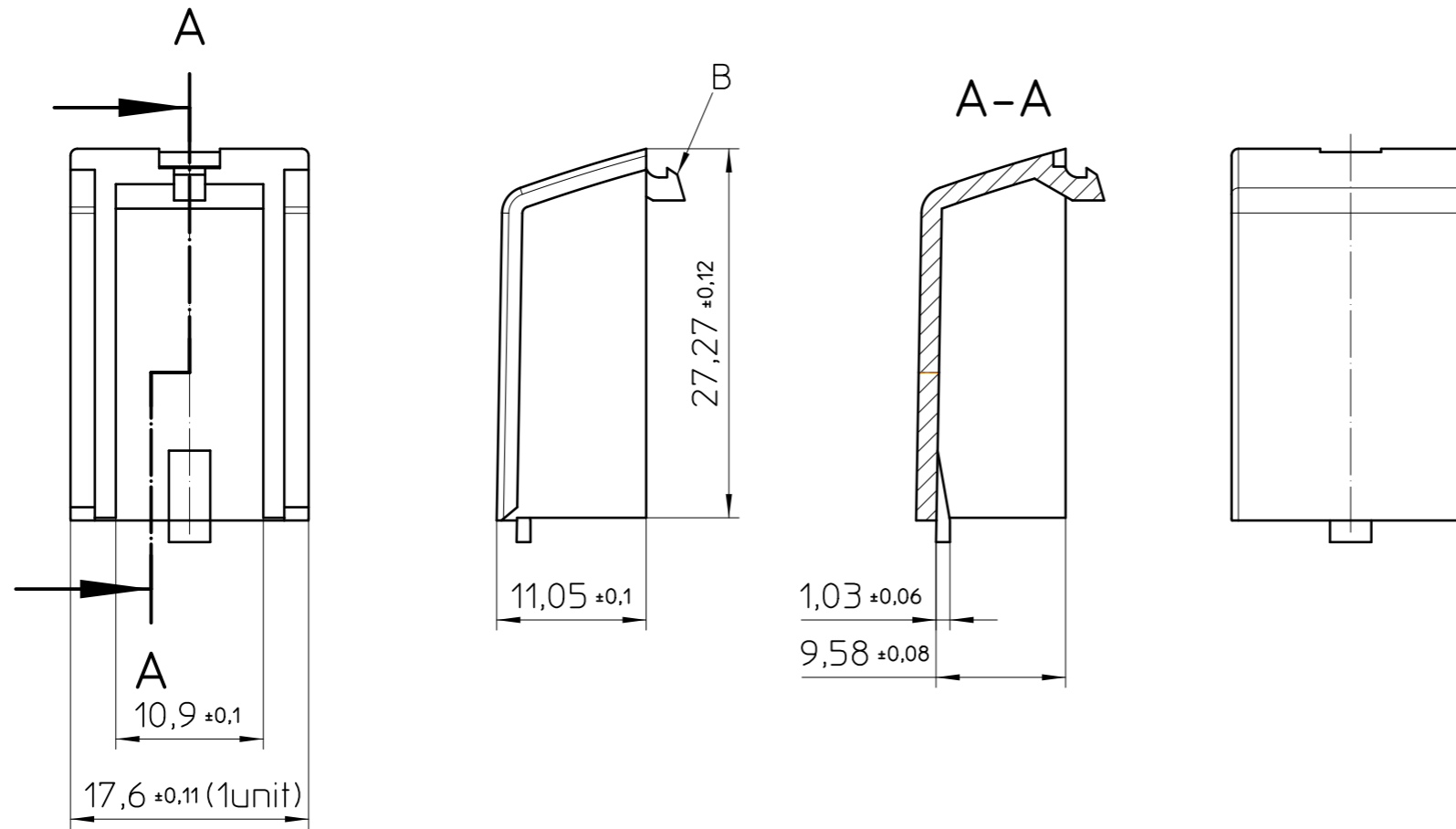


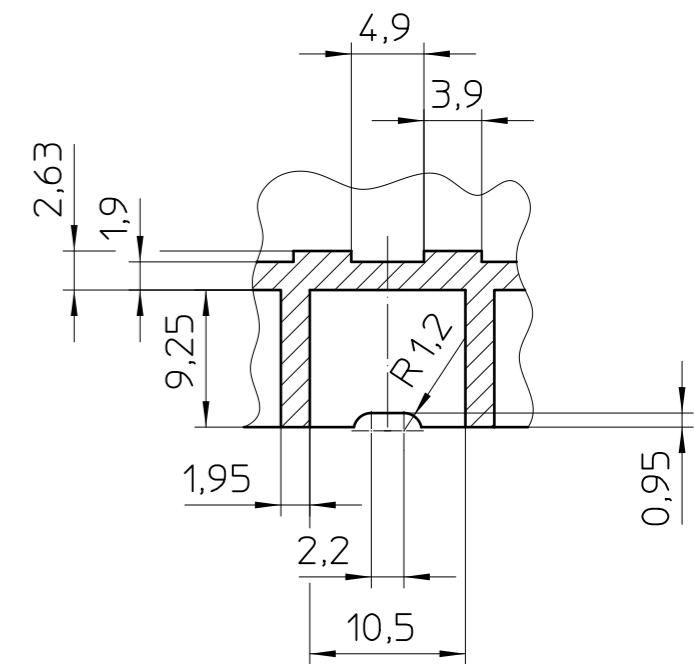
Transfer or duplication of this document as well as the utilisation or communication of its content are not permitted unless express consent is granted. Violations give rise to claims for damages. All rights reserved in case of patent, utility model or design patent registrations.

Weitergabe sowie Vervielfältigung dieses Dokuments, Verwertung und Mitteilung seines Inhalts sind verboten, soweit nicht ausdrücklich gestattet. Zuwiderhandlungen verpflichten zu Schadenersatz. Alle Rechte für den Fall der Patent-, Gebrauchsmuster- oder Designeintragung vorbehalten.

FILLER PLUG




recommended PCB layout view: component side



General tolerances:
 dimensions ≤ 30 : $\pm 0,1/R \pm 0,2/\pm 1^\circ$
 dimensions > 30 : $\pm 0,15/R \pm 0,2/\pm 1^\circ$
 symmetry: 0,2

General Information:

- Simplified representation, exemplary shown in gray.
- Document excluded from change process
- Units are in millimeters [mm] and degrees [°]
- Tolerances apply in a normal climate according to DIN EN ISO 291-23/50-2
- Restricted area 
- Web: www.phoenixcontact.com webcode: #0311

Additional information:

- A. Notch to disassembly filler plug by screwdriver
- B. Snap-fit
- Assembly in BC upper part width:
35,6/U11, 53,6/U11, 71,6/U11, 107,6/U11, 161,6/U11.

Pos.	QTY	Description	Material
1	1	FILLER PLUG	PC
		DIN A3	document-No. / RI
		00918102 / 02	date
			23.04.2025
		scale	2:1
		ident.-No.	document-type
		1227309	TECDCOC 2D_Productdrawing
		description	
		BC 17,6 BS U11 BK	
page 1	of 1		