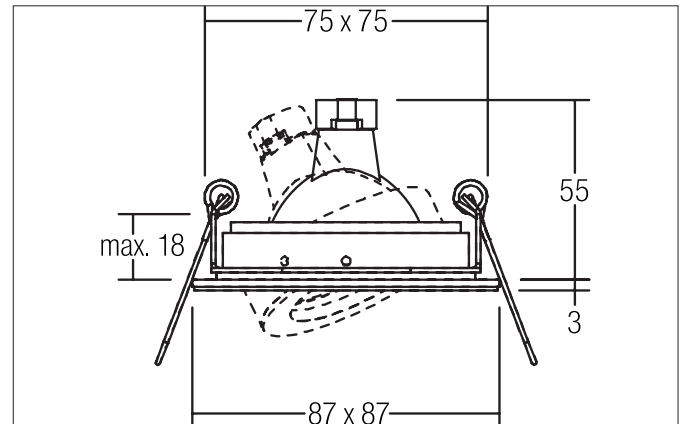


BELLINA Recessed spot, GX5,3
Article no. 20001070

Light.
For Generations.



Tender

Recessed spot, GX5,3, white structure, Square. In a compact design, for installation in tool-less rapid assembly systems. Lamp holder: GX5.3, Mounting method: Recessed mounting, Place of installation: Ceiling-mounted, Material: Aluminium, Degree of protection: according to DIN EN 60529 IP20, Protection class: (EN 61140) III, Voltage: 12V, Power: 50W, Amount of light sources / fittings: 1.0 Qty, Adjustability: Rotable and pivoted, With control gear: No, Dimmable: Depending on type of control gear, Control: Dimming depending on driver.

Article data	
Article no.	20001070
GTIN	4250047765196
Series name	BELLINA
Short description	Recessed spot, GX5,3
Material	Aluminium
Colour	White
Type of surface	Structure
Shape	Square
Built-in width	75 mm
Built-in length	75 mm
Installation depth	55 mm
Length	87 mm
Width	87 mm
Hight	3 mm
Weight	0.147 kg

BELLINA Recessed spot, GX5,3
Article no. 20001070

Light.
For Generations.

Operating technology of the luminaire	
System output	50 W
Voltage type	AC/DC
AC nominal voltage max	12 V
Frequenz max.	50 Hz
Lamp	for LED-retrofill lamp
Lamp holder	GX5.3
Protection class	III
Degree of protection	IP20
Dimmable	Depending on type of control gear
Control	Dimming depending on driver
Bulb change possible	Yes

Mounting technology	
Mounting method	Recessed mounting
Place of installation	Ceiling-mounted
Adjustability	Rotable and pivoted
Swivel angle	30°
Rotation angle	355°
Max. ceiling thickness	18 mm
Further references	No cover with thermal insulation material
Material cover	Without cover
Circlip	Without circlip

Packing data	
Gross weight	0.273 kg
Length of packaging	120 mm
Packaging width	120 mm
Packaging height	100 mm
Disposal at end of life	This product must not be disposed of with household waste. You are obliged, to dispose of such electrical waste separately. By disposing of electrical waste and other old or defective electronics separately, you support recycling or other forms of re-use. In that way you help to take care and to avoid that harmful substances get into the environment.