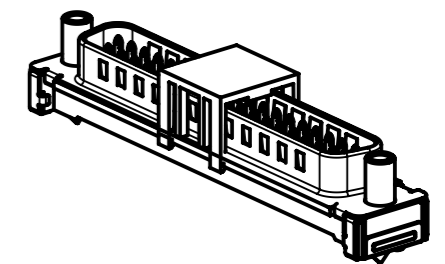
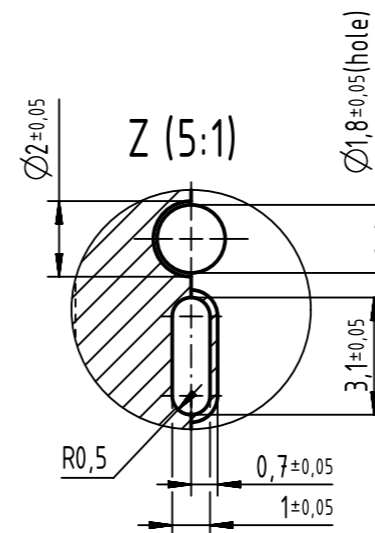
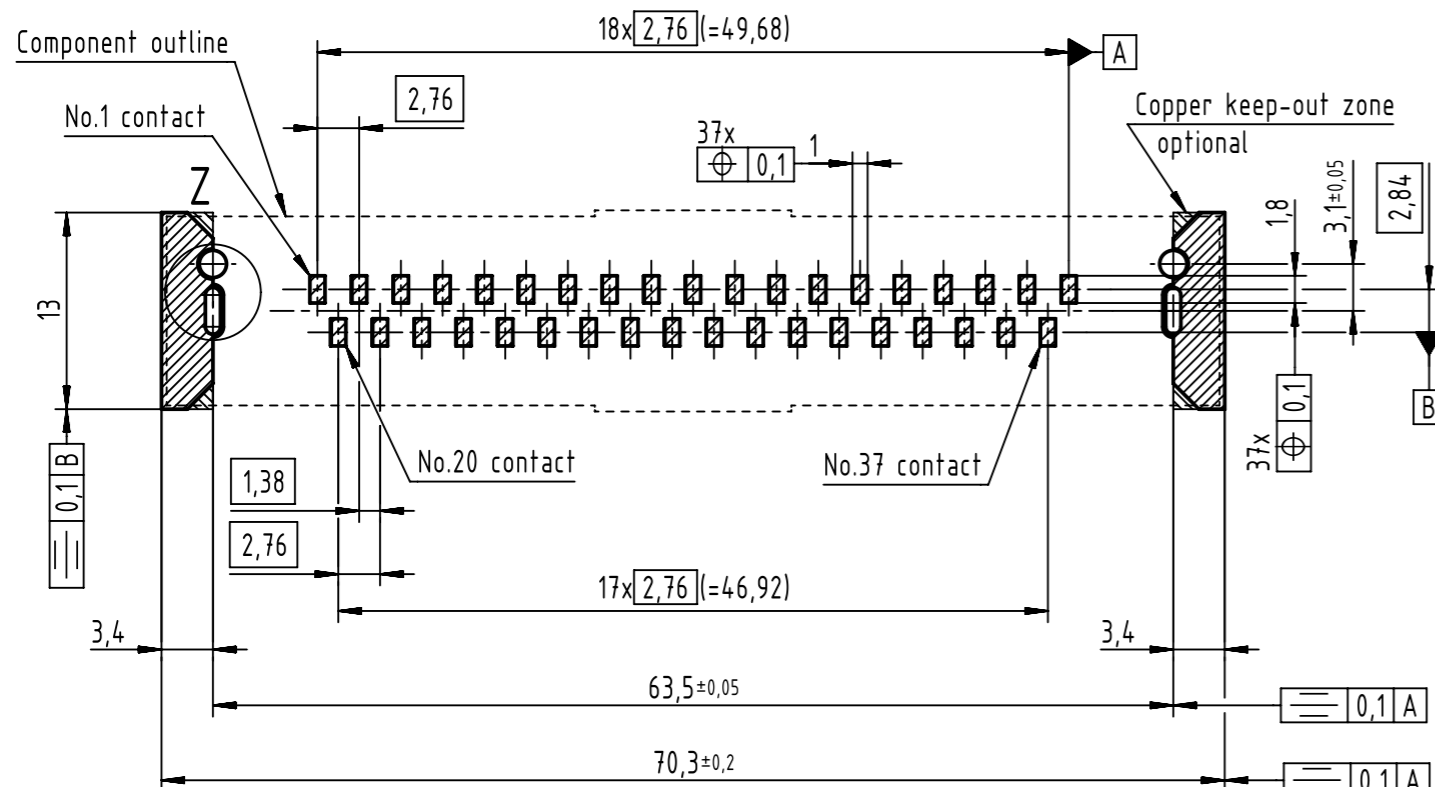


PCB layout, component side



Max. Temperature: 260°C during 10 seconds.  
Find further technical information on DS 09550200302.

0955 469 3821 741	1	M3	Black insulator	Reel Packaging: 140 connectors
0955 469 3822 741	1	4-40 UNC		
0955 469 6821 741	2	M3		
0955 469 6822 741	2	4-40 UNC		
0955 469 7821 741	3	M3		
0955 469 7822 741	3	4-40 UNC		
Part number	PL	Nut	Index designation	

	All Dimensions in mm Original Size DIN A3	Scale 2:1	Free size tol.	Ref.
	All rights reserved Department EL PD	Created by ZHUANGJ	Inspected by LUOK	Standardisation HOFFMANN
HARTING Electronics GmbH D-32339 Espelkamp	Title D-Sub str SMT 37-pole male with screw-lock & ground pin			Doc-Key / ECM-Nr. 100236631/UGD/001/B 500000139800
	Type TB	Number 0955469X82X	Date 2018-11-29	State Final Release
				Rev. B
				Page 1/1