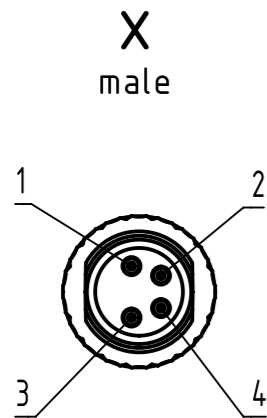
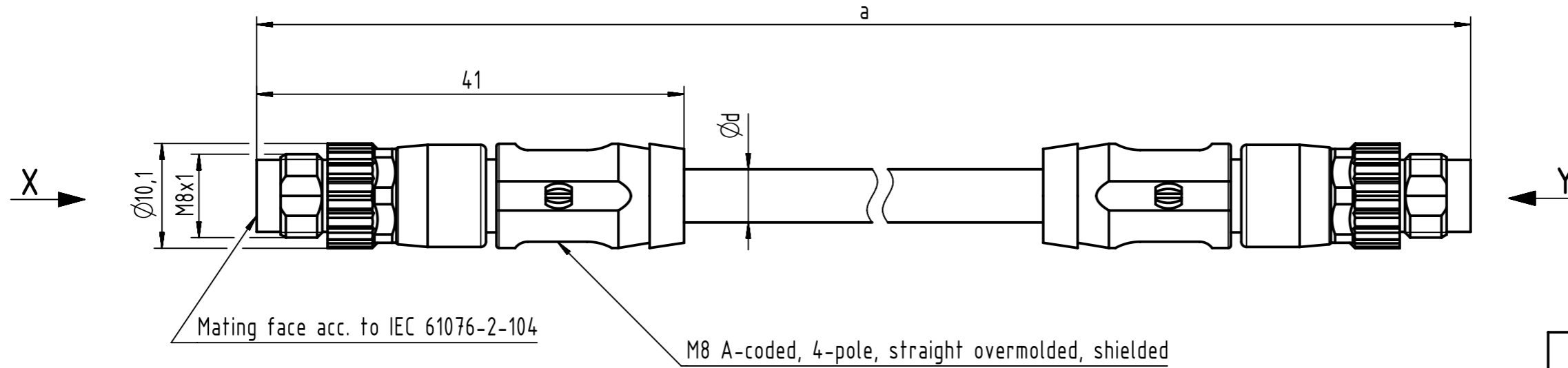
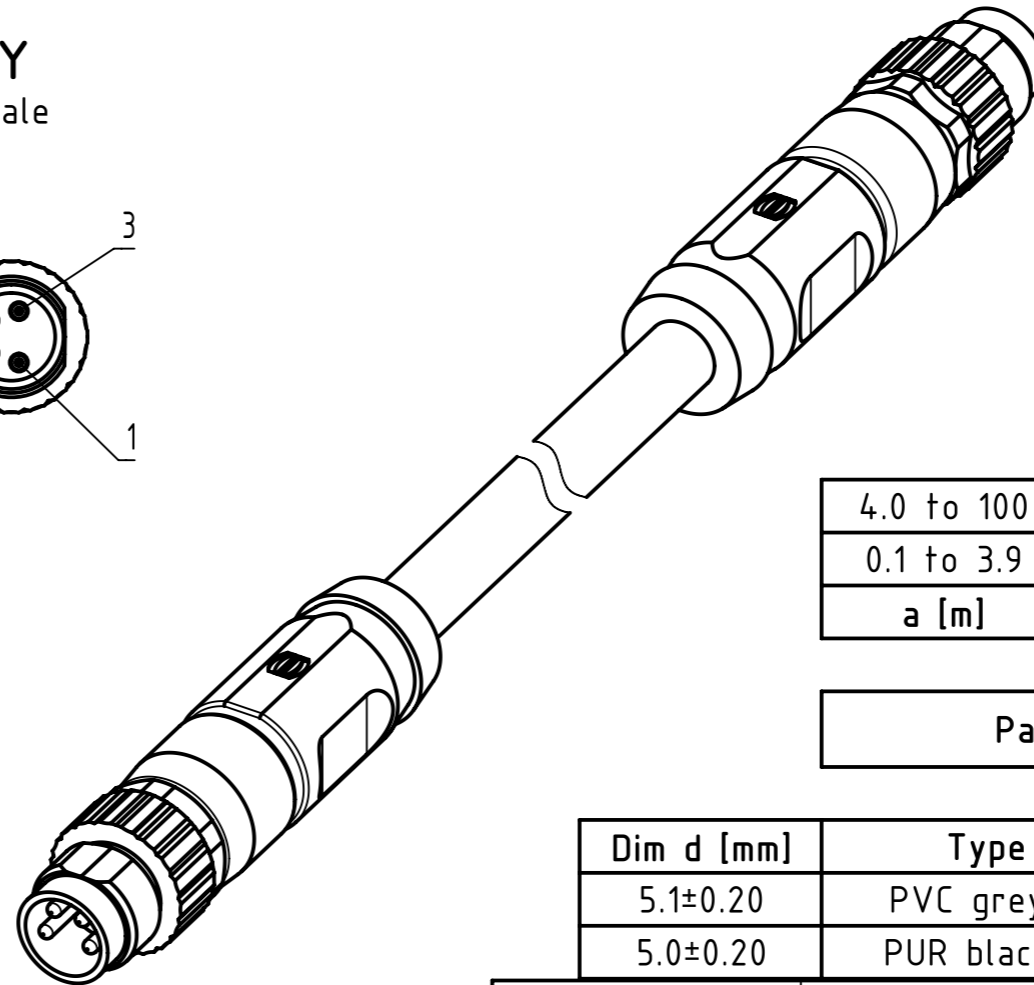
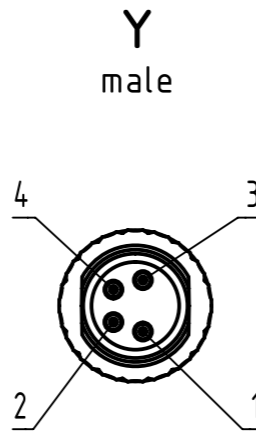
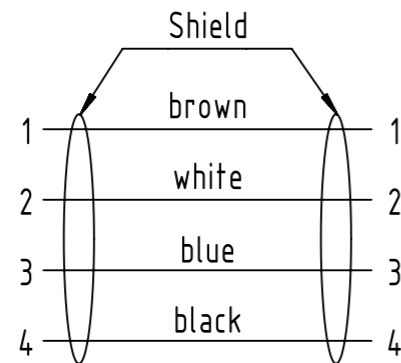


Connector Location A

Connector Location B



Loading Plan



length in "1m" step	100	XXX=000
	99	XXX=990

	12	XXX=120
length in "0.1m" step	11	XXX=110
	10	XXX=100
	9.9	XXX=099
	9.8	XXX=098

	0.4	XXX=004
	0.3	XXX=003
	0.2	XXX=002
	0.1	XXX=001
Step	a [m]	XXX

4.0 to 100	±1%
0.1 to 3.9	+0.04
a [m]	Tolerance

Part no.	213473734XXXXX
----------	----------------

Dim d [mm]	Type of cable	XX
5.1±0.20	PVC grey, 4x0.25mm ²	XX=66
5.0±0.20	PUR black, 4x0.25mm ²	XX=67

- Protection level: IP67
 - Temperature range: -25°C ... +80°C

	All rights reserved	Created by BANIUD Banciu	Inspected by COSTEA Costea	Standardisation MUNTEANV Muntean	Date 2019-02-22	State Final Release
	Department HCS - RO	Title M8 Assy shielded 4-poles st/st m/m		Doc-Key / ECM-Nr. 100664254/UGD/000/D 50000014.8051		
HARTING Customised Solutions D-32339 Espelkamp		Type TB	Number 213473734XXXXX		Rev. D	Page 1/1