

1

2

3

4

A

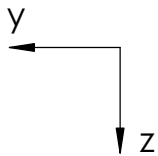
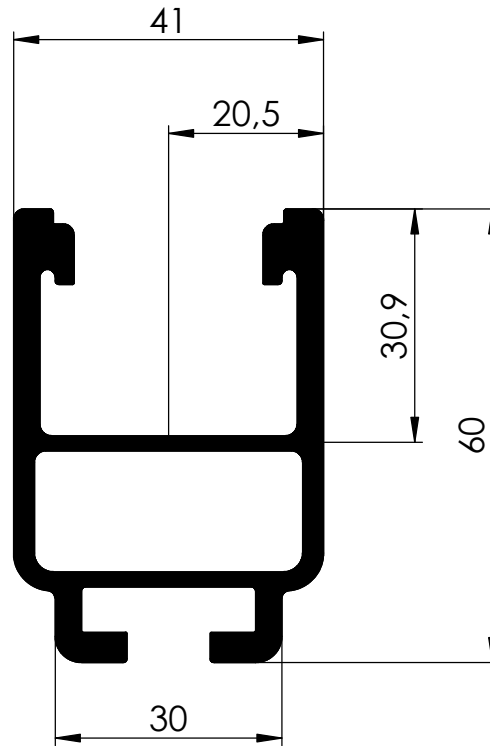
B

C

D

E

F



Characteristics for calculation:

$$A = 6,44 \text{ cm}^2$$

$$I_y = 22,26 \text{ cm}^4$$

$$I_z = 15,86 \text{ cm}^4$$

$$W_y = 7,21 \text{ cm}^3$$

$$W_z = 7,74 \text{ cm}^3$$



K2 Systems GmbH
Industriestr. 18
71272 Renningen
07159/42059-0

Designation:

Data sheet
SolidRail Alpin per meter

Name	Date	Material:	Item no.:	A4
Designed K. Mahboobi	12.09.2019	EN AW 6063 T66	2002288	
Approved B. Koch	12.09.2019	Surface: mill finish	Drawing no.: 01-003-03	All dimensions in mm
Last change S. Frey	24.06.2020	Weight: ca. 1740 g/m	Scale: 1:1	Sheet 1 of 1

This drawing is the sole property of K2 Systems GmbH. It is protected by copyright and may only be copied, reproduced or distributed to a third party with explicit permission!