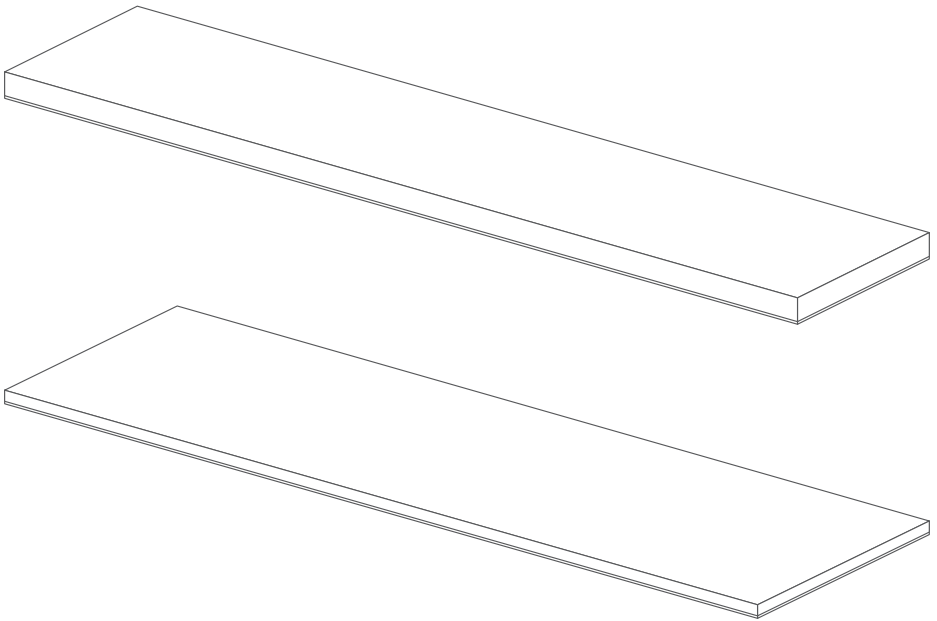
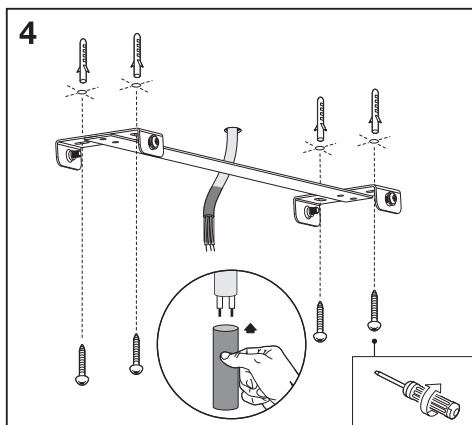
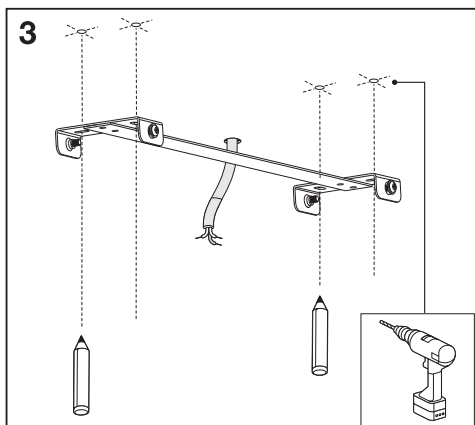
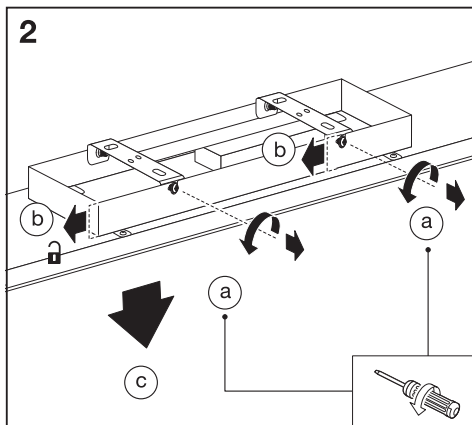
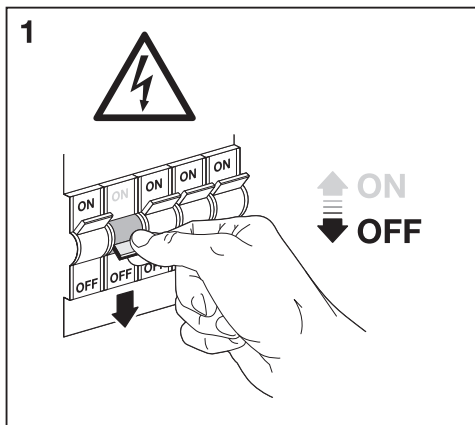
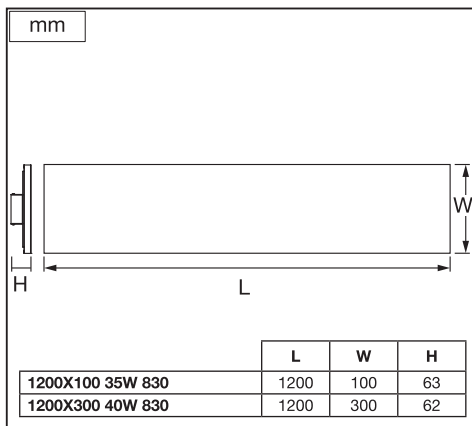
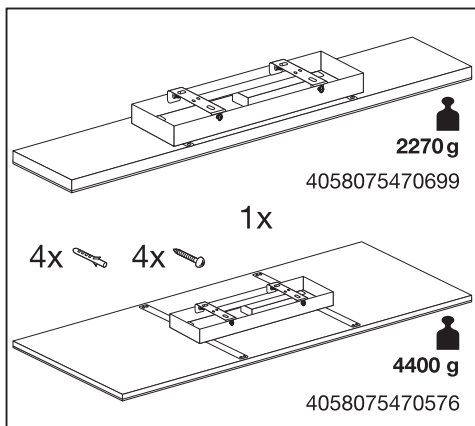
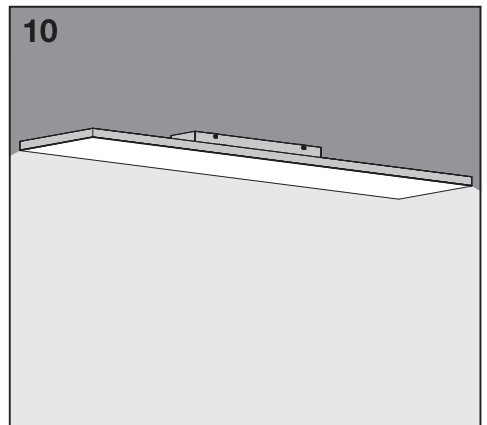
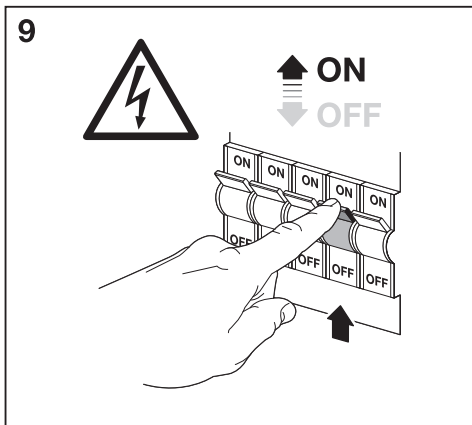
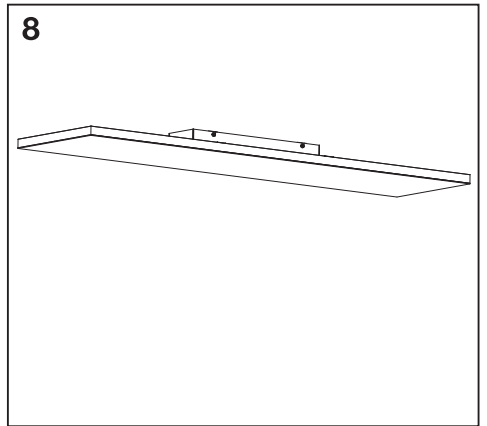
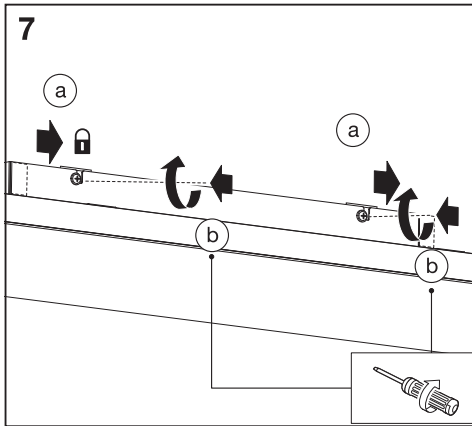
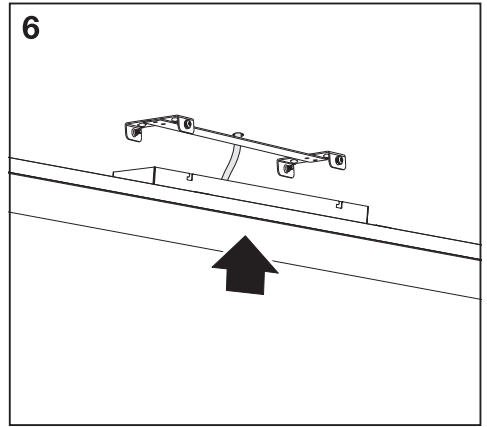
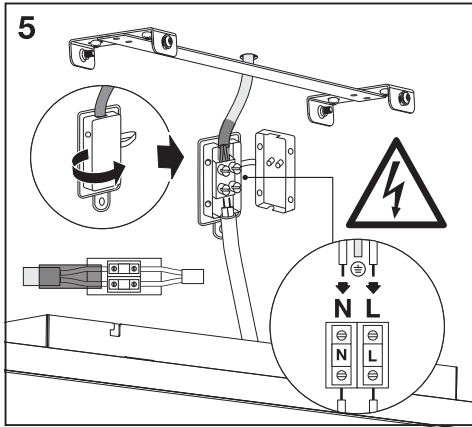



PLANON FRAMELESS



	EAN	W	lm	K	Δ (°C)	V~	mA	Hz	DF
PLANON FRAMELESS 1200X100 35W 830	4058075470699	35	2500	3000	-20...+40	220-240	153	50/60	>0.9
PLANON FRAMELESS 1200X300 40W 830	4058075470576	40	3300	3000	-20...+40	220-240	167	50/60	>0.9





	EAN	This product contains a light source of energy efficiency class	Contained Light Source
PLANON FRAMELESS 1200X100 35W 830	4058075470699	E	
PLANON FRAMELESS 1200X300 40W 830	4058075470576	E	



C10449057
G11127594
12.01.2022



LEDVANCE GmbH
Steinerne Furt 62
86167 Augsburg, Germany
www.ledvance.com