

5

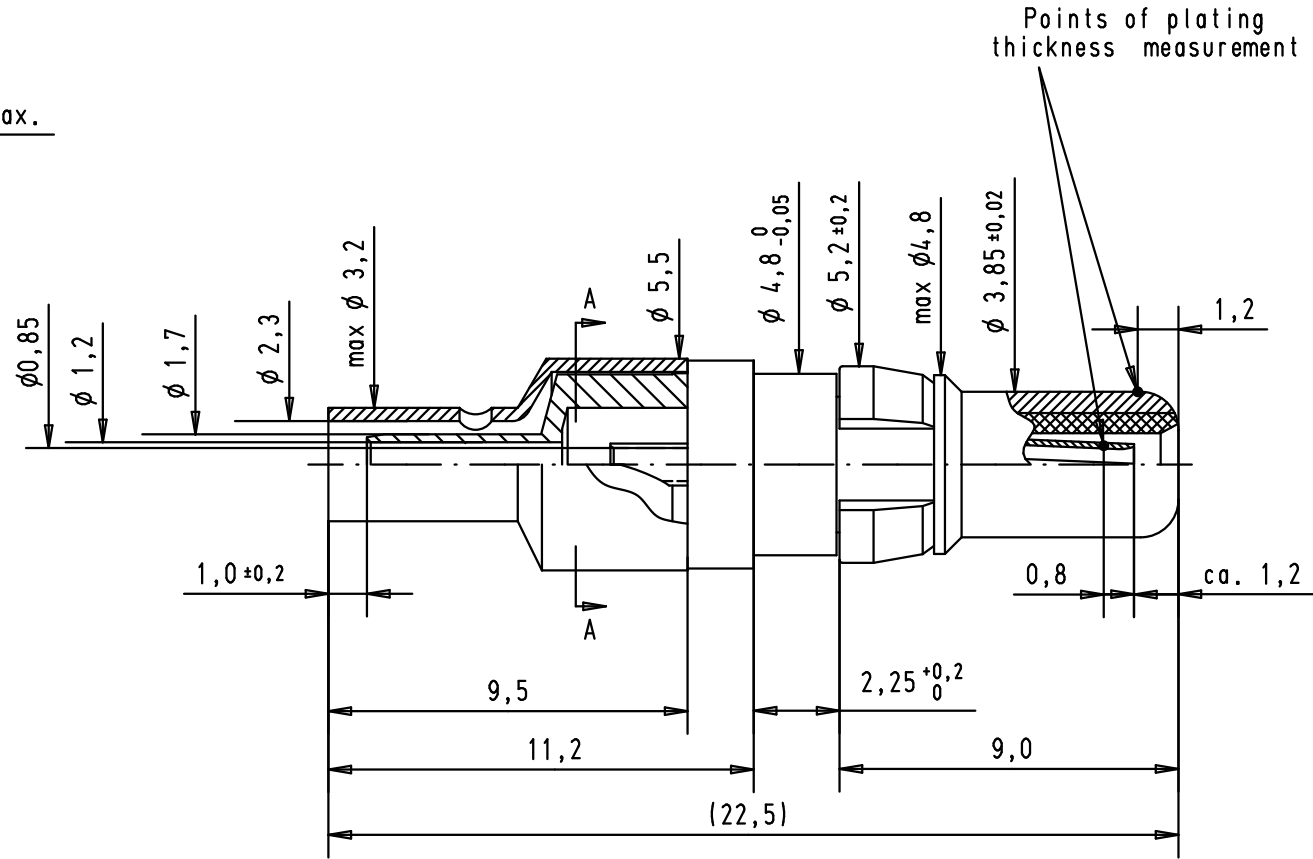
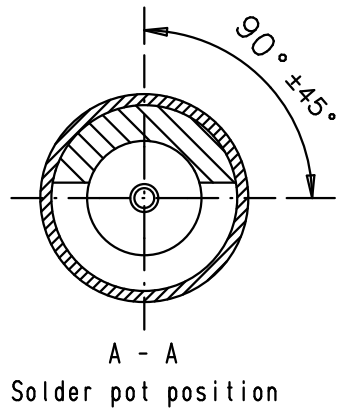
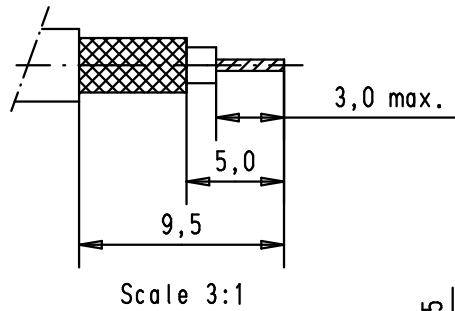
4

3

2



1

Harnessing dimensions for cables: RG178BU BU, RG196AU, RG404U



Crimping tool of outer conductor:
hand tool: 09 99 000 0503 00
die: 09 99 000 0508 00

A

						Dat.			Name			Male coaxial contact, 50 Ohms, straight cable termination			Maßstab/Scale			
09692817141	Mating area	0,2 μ m Au	0,2 μ m Au			Detail.	21-JUN-02	CV	 All Dim. in mm Orig. Size DIN A 4			inner conductor for solder termination, outer conductor for solder or crimp termination			5:1			
	Termination area	5 μ m Sn	0,2 μ m Au			Insp.												
					Stand.													
09692815141	Mating area	0,8 μ m Au	1,3 μ m Au	EC01734	28-APR-10	SC	HARTING EURL F-95972 Paris						TB 09 69 281 x141			Blatt/Page 1 / 1		
	Termination area	0,2 μ m Au	1,3 μ m Au	31057	21-JUN-02	CV												
Part number	Plating	outer conductor	inner conductor	Mod.	Dat.	Name												