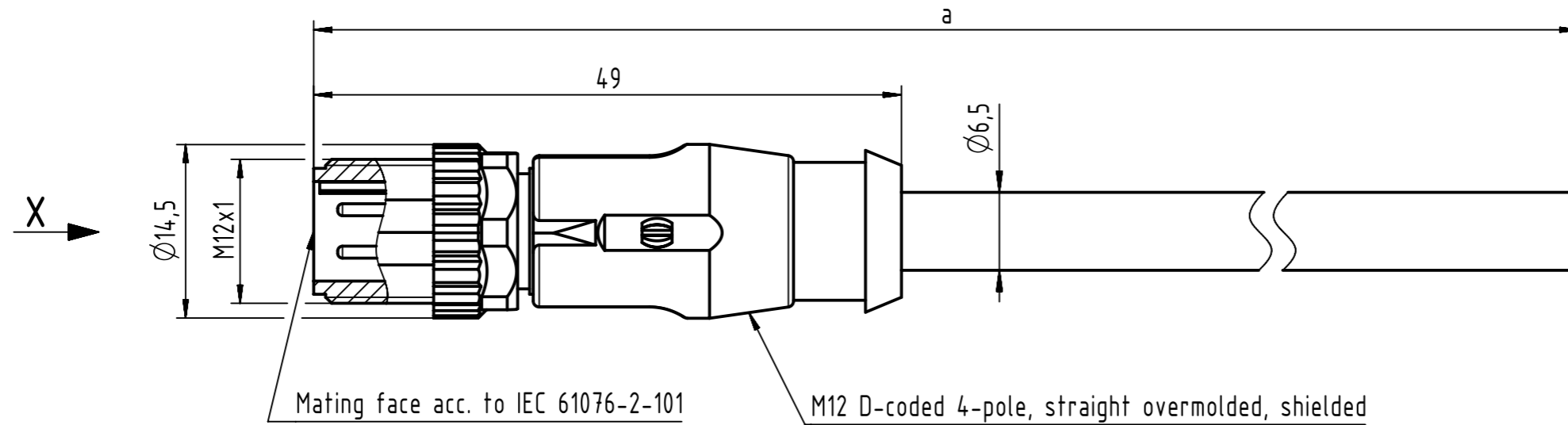
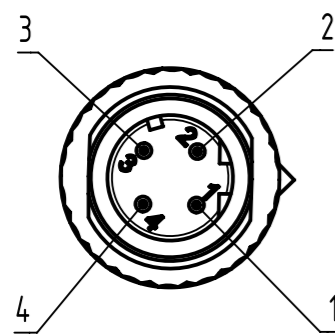


Connector Location A

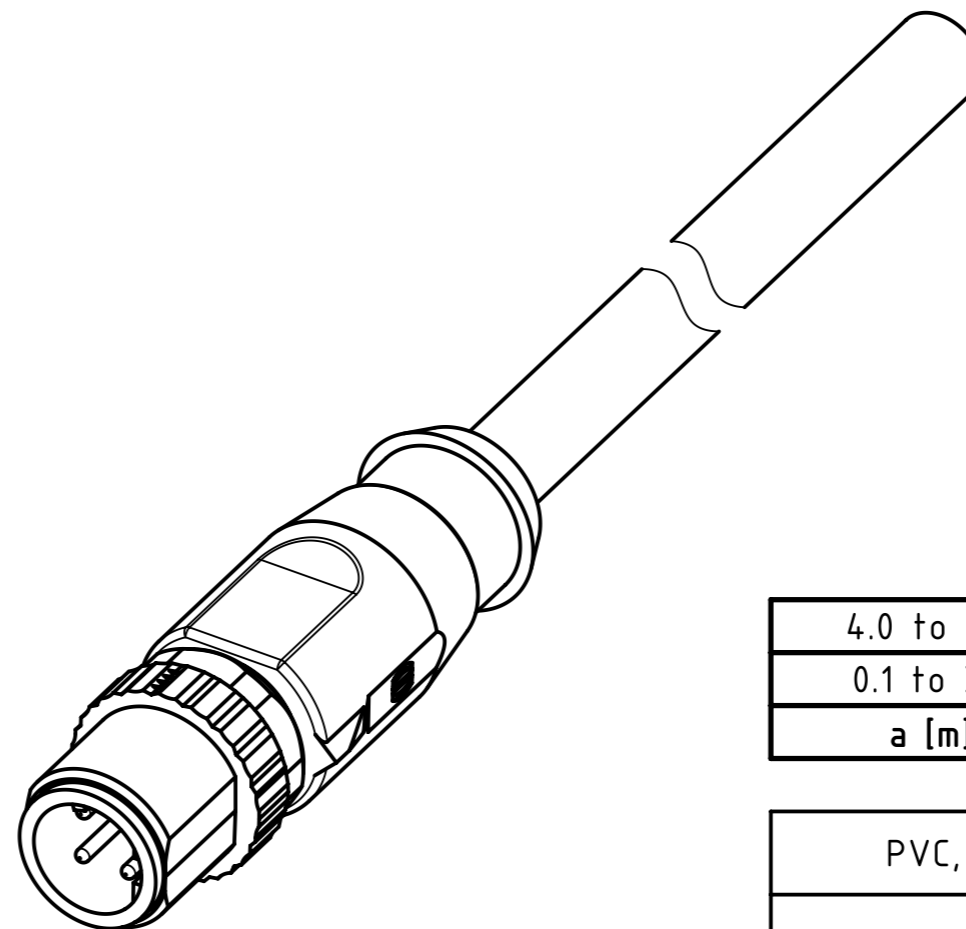
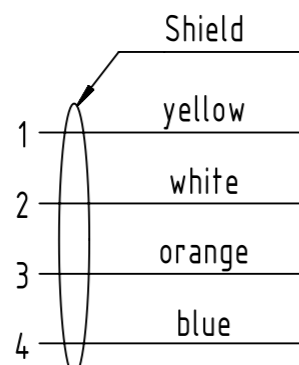
Connector Location B



X  
male



Loading-Plan:



4.0 to 100	±1%
0.1 to 3.9	+0.04
<b>a [m]</b>	<b>Tolerance</b>

length in "1m" step	100	XXX=000
	99	XXX=990
	.	.
	12	XXX=120
	11	XXX=110
length in "0.1m" step	10	XXX=100
	9.9	XXX=099
	9.8	XXX=098
	.	.
	0.4	XXX=004
	0.3	XXX=003
	0.2	XXX=002
	0.1	XXX=001
<b>Step</b>	<b>a [m]</b>	<b>XXX</b>

PVC, green, 4xAWG22/7	21349200405XXX
<b>Type of cable</b>	<b>Part no.</b>

- Protection level: IP65/67  
 - Temperature range: -30°C ... +70°C

	All rights reserved	Created by COSTEA Costea	Inspected by MUNTEANV Muntean	Standardisation MUNTEANV Muntean	Date 2018-12-18	State Final Release	
	Department HCS - RO	Title M12 Cable Assembly D-cod st/- m/-				Doc-Key / ECM-Nr. 100588444/UGD/000/E 500000145021	
HARTING Customised Solutions D-32339 Espelkamp		Type TB	Number 21349200405XXX			Rev. E	Page 1/1