

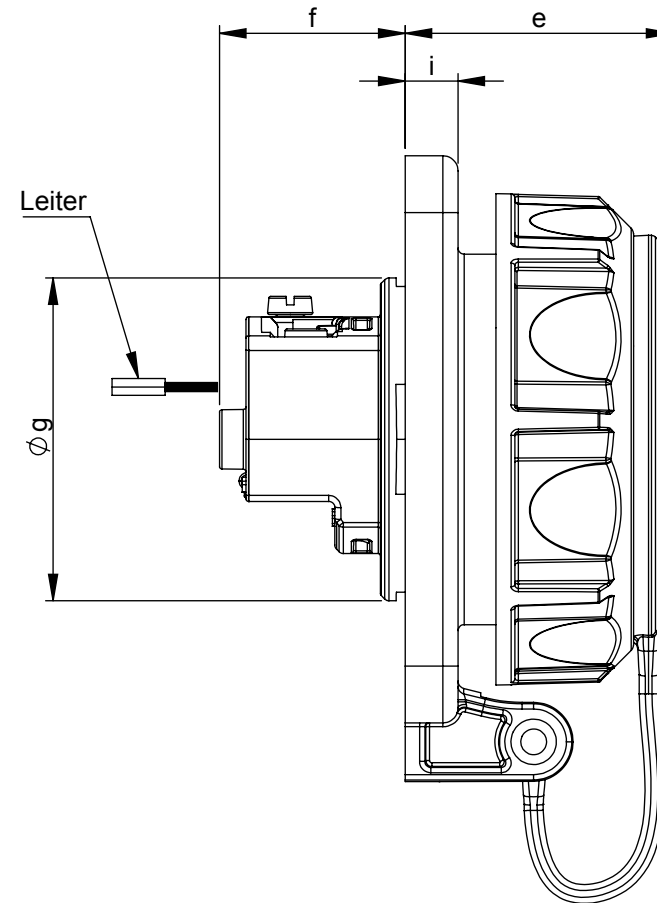
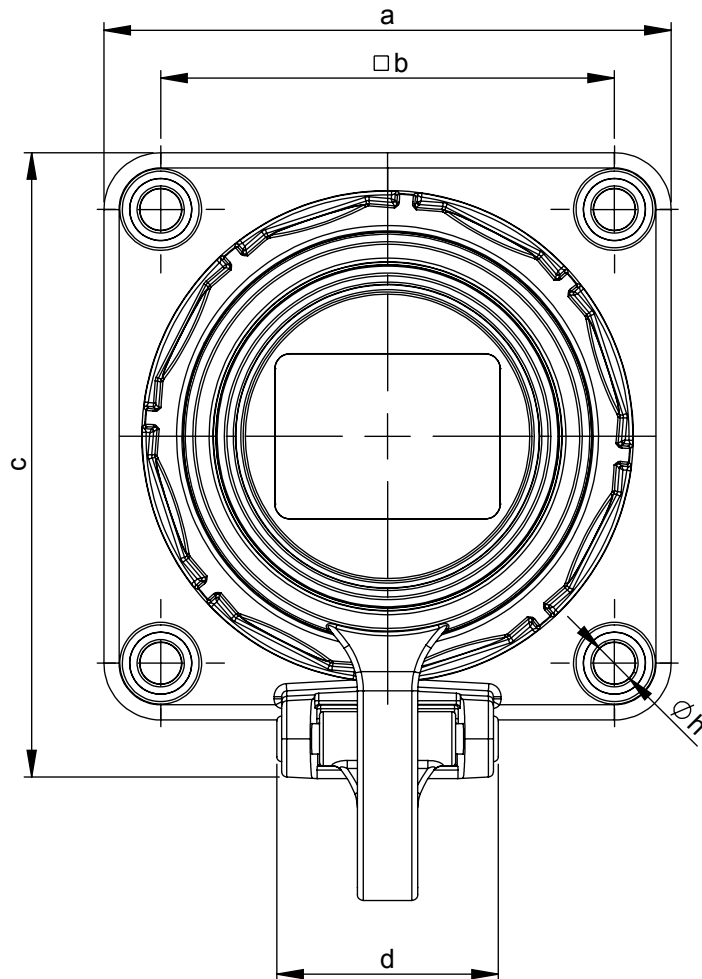
## Maßskizze / dimensional drawing

Benennung: **Anbausteckdose 75x75mm mit Deckelband IP66/68**

description: **Flanged socket 75x75mm with cover band IP66/68**

Teilenummer / part number: **20341-8\*, 20351-8\***

PCE



Ampere	16
Pole	2P+E
a [mm]	75
b [mm]	60
c [mm]	84
d [mm]	30
e [mm]	36
f [mm]	25
g [mm]	43
h [mm]	5,5
i [mm]	7