

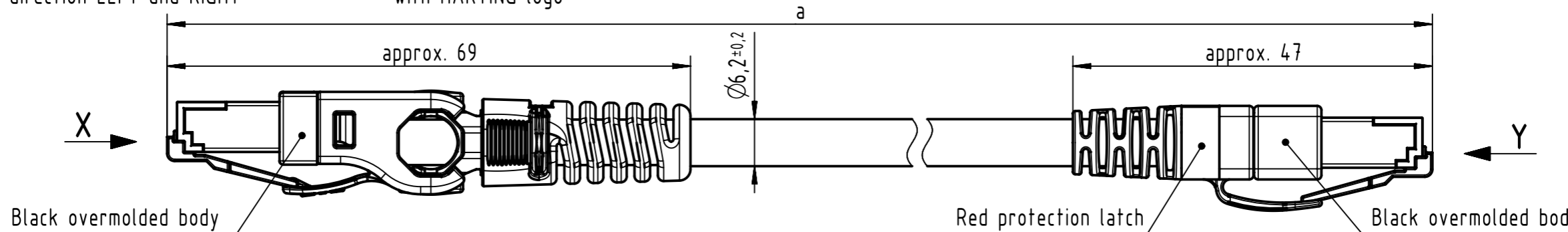
Connector Location A

Connector Location B

IP20 RJ45 VarioBoot Cat. 6A,
preferred direction LEFT and RIGHT

Black protection latch
with HARTING logo

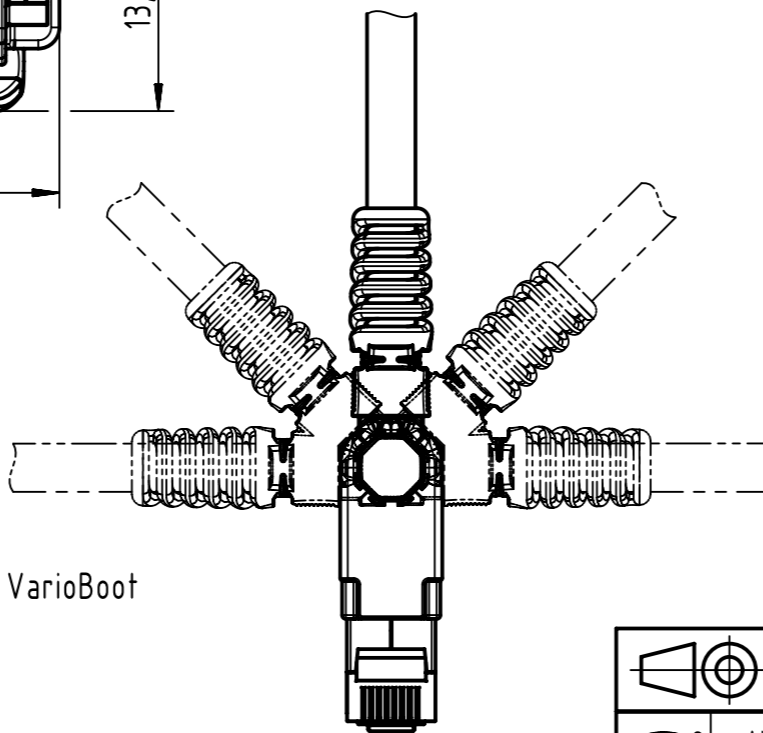
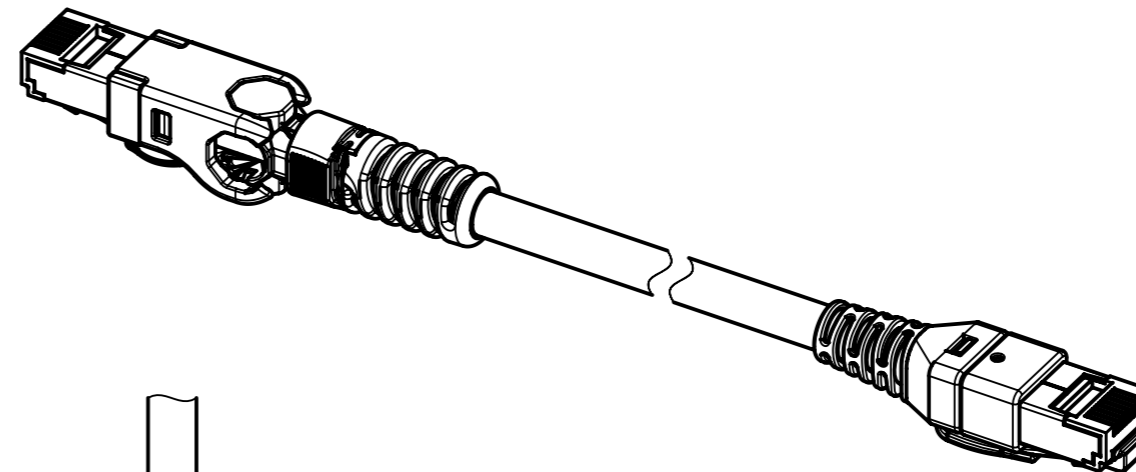
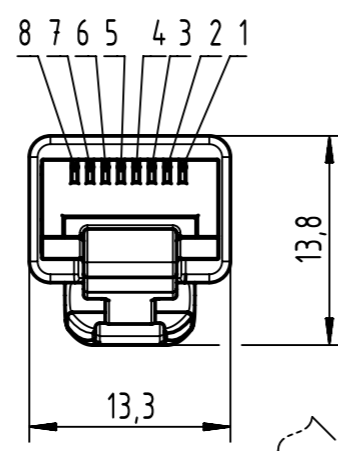
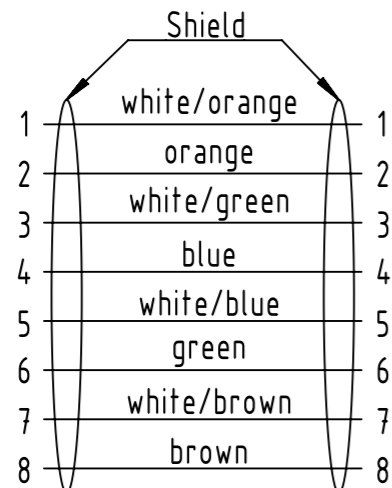
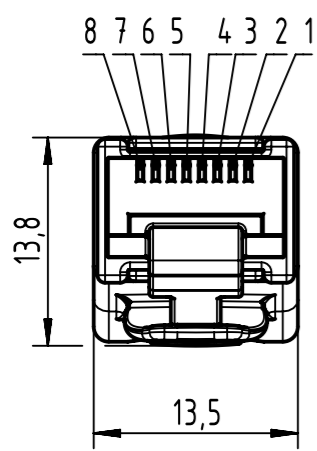
IP20 RJ45 DualBoot Cat. 6A, 8-pole



X
male

Loading Plan
acc. to TIA/EIA 568B

Y
male



length in "1m" step	45	XXX=450
	44	XXX=440
	12	XXX=120
	11	XXX=110
length in "0.1m" step	10	XXX=100
	9.9	XXX=099
	9.8	XXX=098
	0.5	XXX=005
	0.4	XXX=004
	0.3	XXX=003
	0.2	XXX=002
Step	a [m]	XXX

6.0 to 45	±1%
0.6 to 5.9	+0.04
0.2 to 0.5	+0.02
a [m]	Tolerance

Temperature range:
- Fixed installation: -20°C ... +60°C
- Dynamic installation: 0°C ... +50°C

NOTE:
- Direction of the cable outlet can be changed up to 20x for the VarioBoot
- Mating face RJ45 acc. to IEC 60603-7 for both connectors

For lengths < 1.0m:
- relative positioning of the connectors to each other will be as presented in the drawing,
however with an admissible angular deviation around cable axis of ± 30°

For lengths ≥ 1.0m:
-relative positioning of the connectors to each other not obligatory

Cat. 7 FRNC Ethernet Cable, AWG 26/7, S/FTP, red	09488587586XXX
Type of cable	Part no.

	All rights reserved	Created by COSTEA Costea	Inspected by 402676 Gross	Standardisation MUNTEANV Muntean	Date 2021-10-28	State Final Release
	Department HCS - RO	Title VB RJ45 LaR - DualBoot Cat.6A FRNC red		Doc-Key / ECM-Nr. 100834042/UGD/000/D 50000204213		
HARTING Customised Solutions D-32339 Espelkamp		Type TB	Number 09488587586XXX		Rev. D	Page 1/1