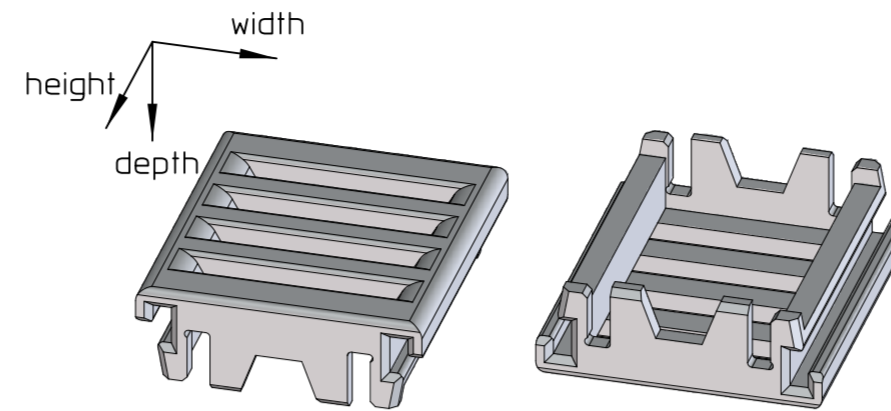
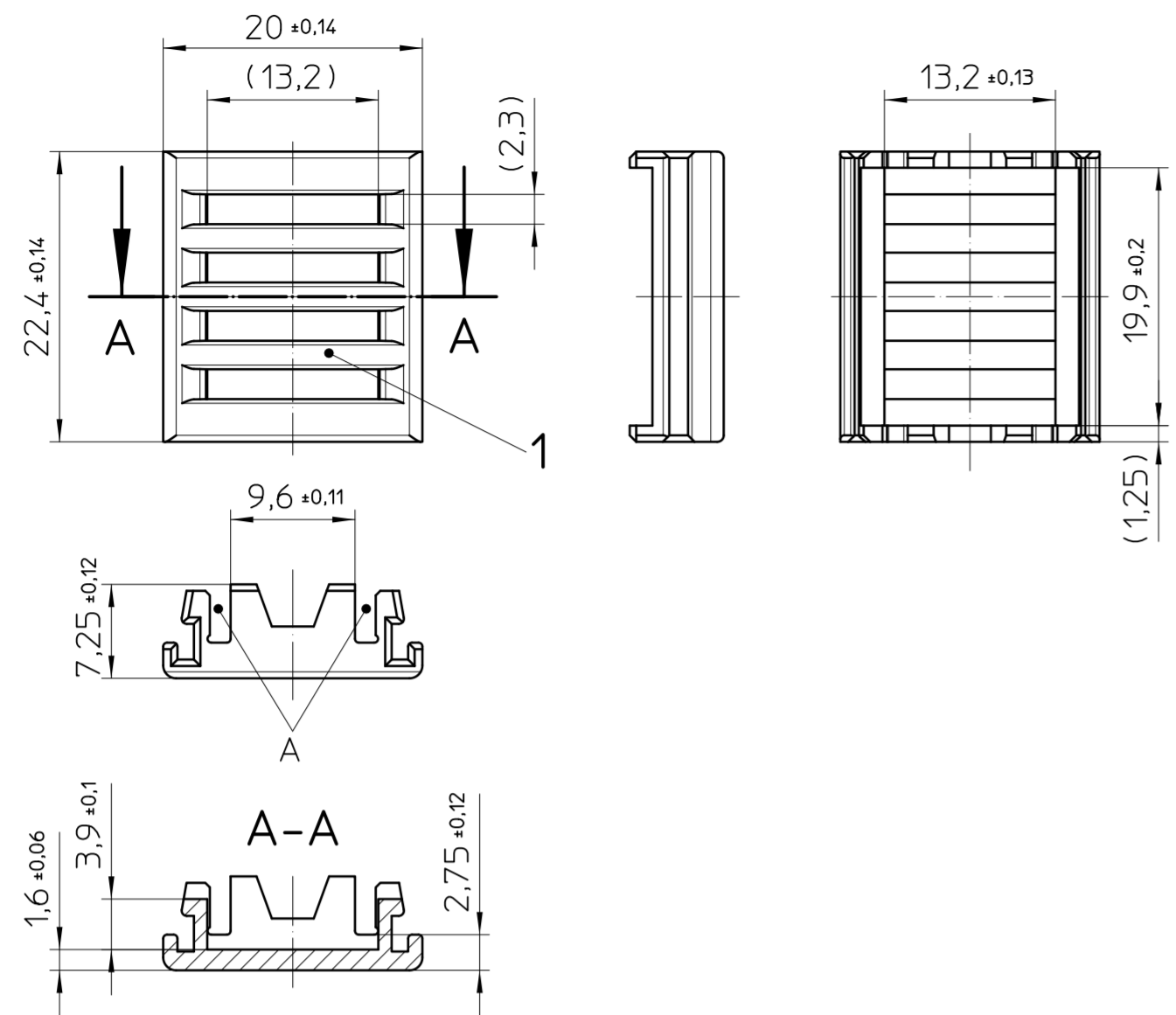
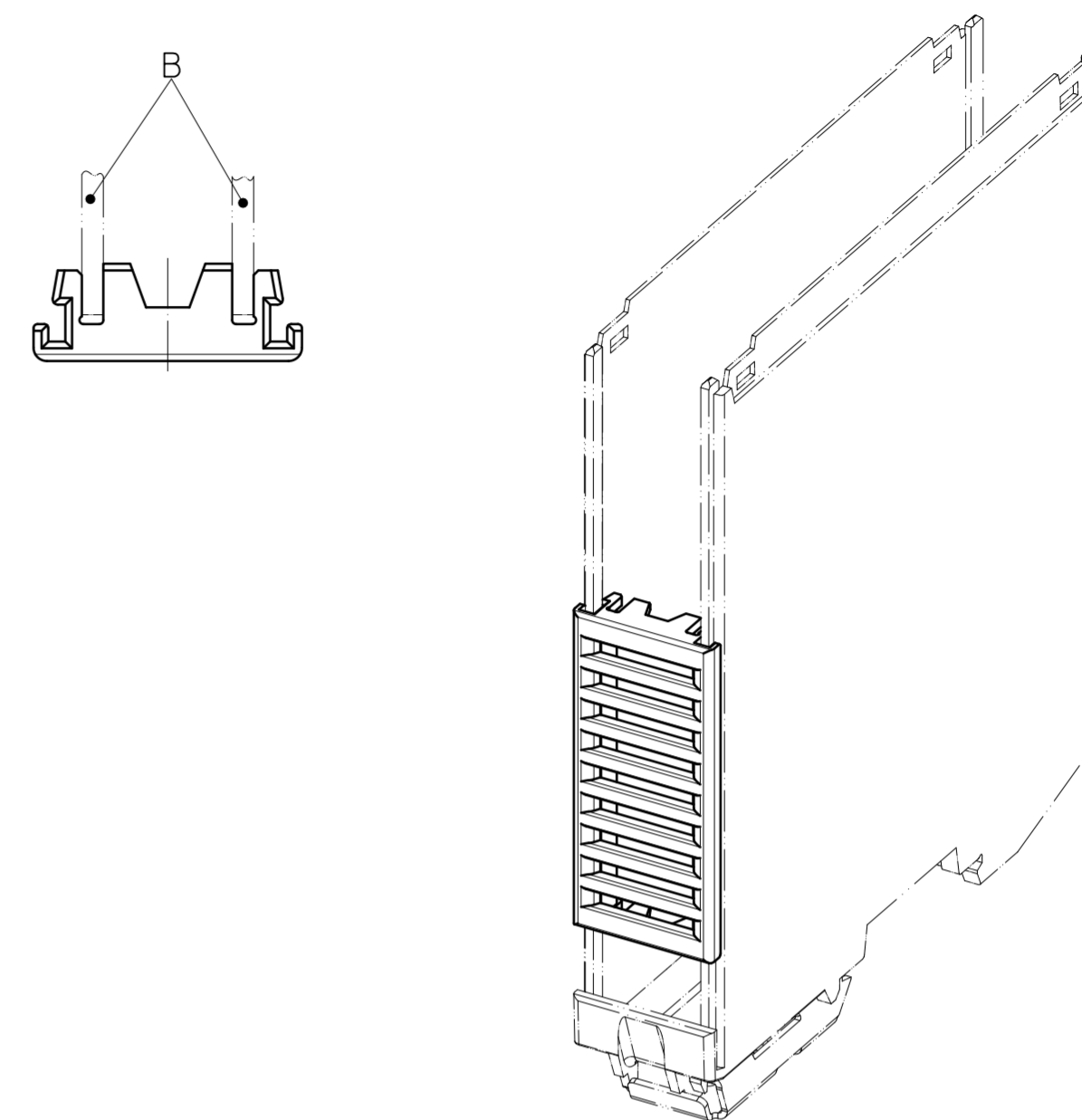


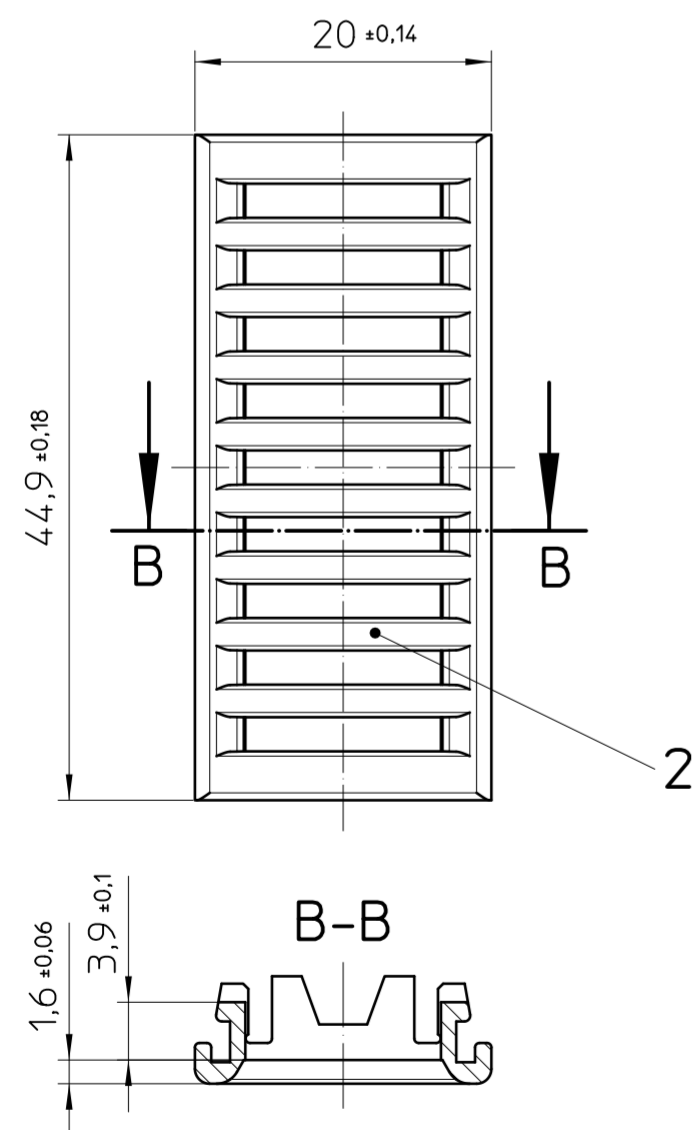
ICS20-F22V



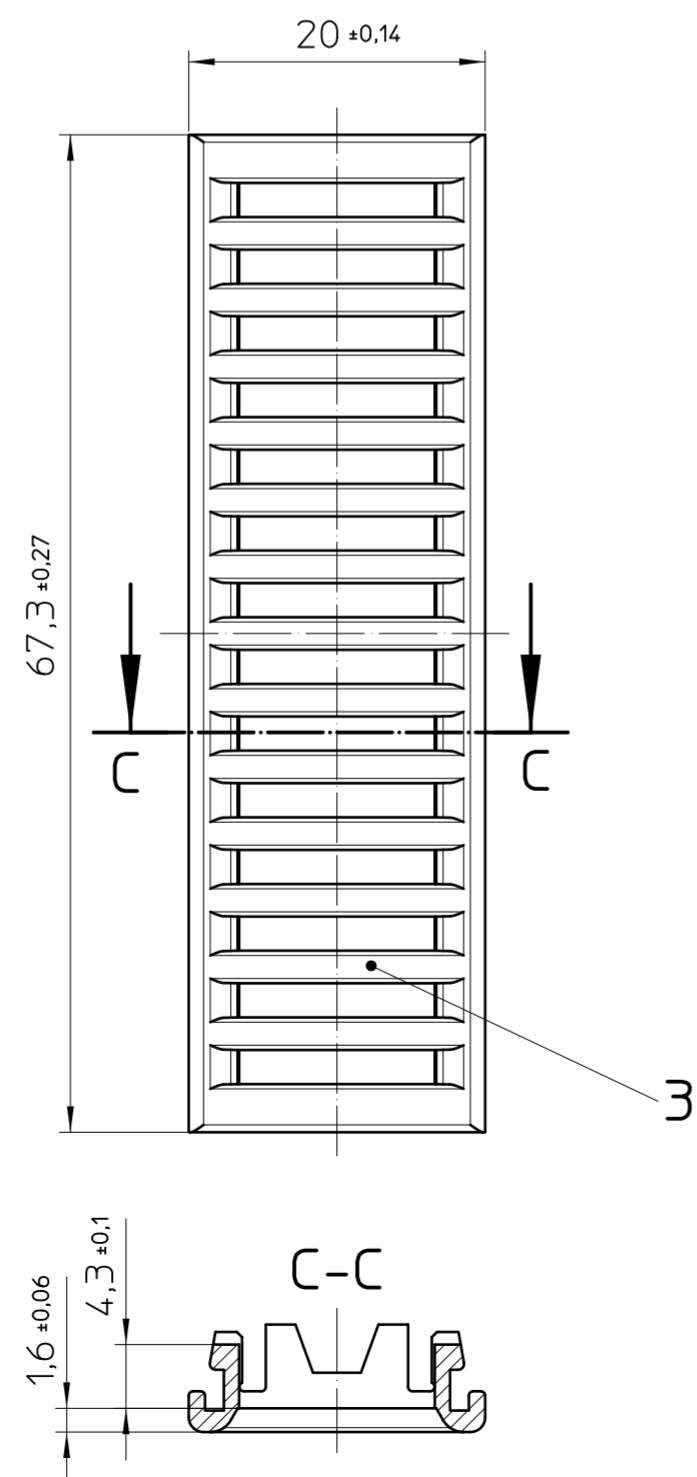
Assembly example



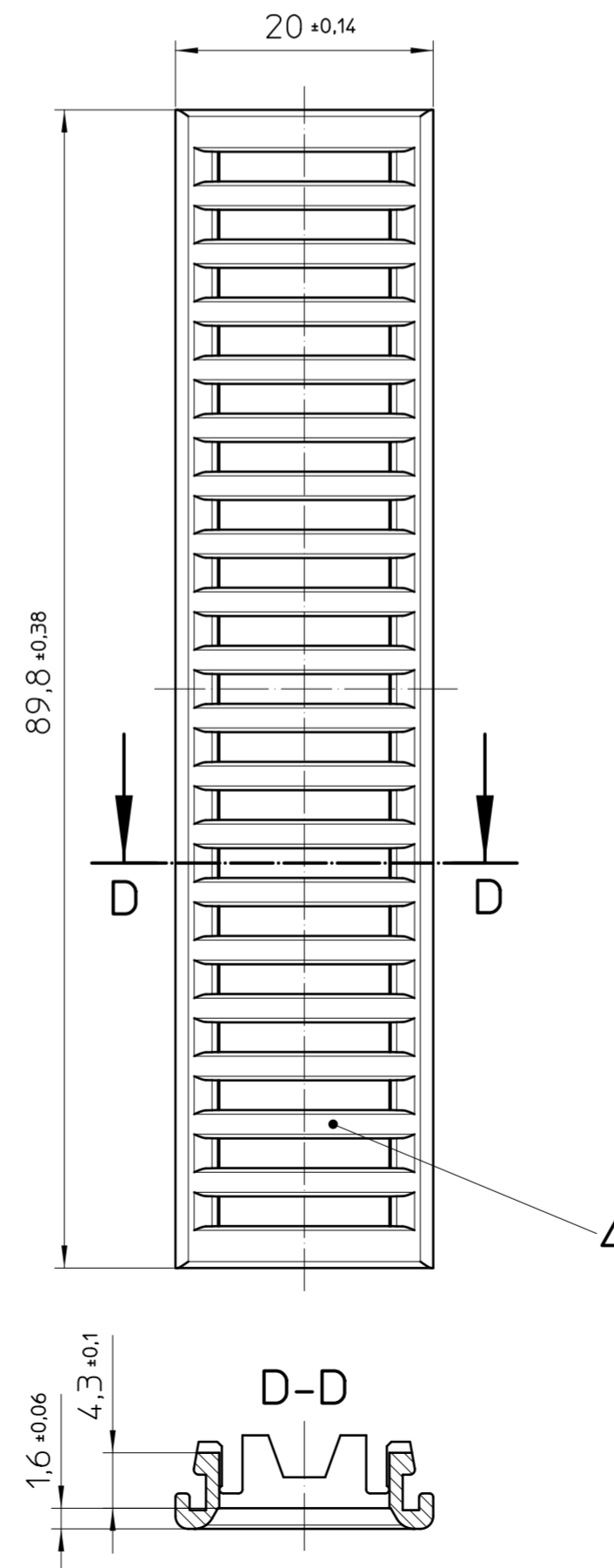
ICS20-F45V



ICS20-F67V



ICS20-F90V



General Information:

- Simplified representation, exemplary shown in gray
- Document excluded from change process
- Units are in millimeters [mm] and degrees [°]
- Tolerances apply in a normal climate according to DIN EN ISO 291-23/50-2, PA plastic parts with about 2% (% by weight) moisture content.
- Web: www.phoenixcontact.com webcode: #1635

Additional Information:

- A) PCB guidance
- B) PCB, thickness= $1,6 \pm 0,2$

Pos.	QTY	Description	Material
1	1	ICS20-F22V	PA
2	1	ICS20-F45V	PA
3	1	ICS20-F67V	PA
4	1	ICS20-F90V	PA

DIN A2	document-No. / RI 01211282 / 02	date 07.04.2025	scale 2:1
	ident.-No. 1104320	document-type TECDOC 2D_Productdrawing	
page 1 of 1	description ICS20-F22V-5015		

Transfer or duplication of this document as well as the utilisation or communication of its content are not permitted unless express consent is granted. Violations give rise to claims for damages. All rights reserved in case of patent, utility model or design patent registrations.

Weitergabe sowie Vervielfältigung dieses Dokuments, Verwertung und Mitteilung seines Inhalts sind verboten, soweit nicht ausdrücklich gestattet. Zuwiderhandlungen verpflichten zu Schadensersatz. Alle Rechte für den Fall der Patent-, Gebrauchsmuster- oder Designeintragung vorbehalten.