

## Connector TN - with cable gland, with bayonet cover

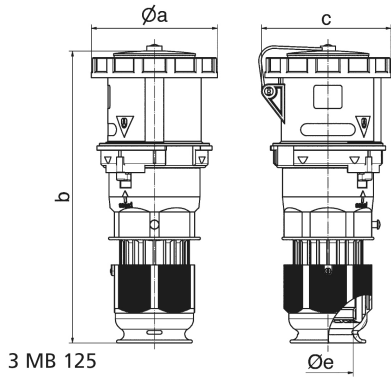


Product description	
BALS-Prd.-Nr	31027
EAN	4024941310277
Product category	Connector TN
Current	125A
Number of poles	5p
Arrangement of phases	3p+N+PE
Position of earth contact	6 h
Voltage	200/346 - 240/415V~
Frequency	50/60Hz

Product description	
VG-type-no.:	VG 96919 DS 013
Supply no.:	5935-12-322-8597
Protection degree	IP67
Colour code	bronze-green RAL 6031-F9
Colour of appliance	Pusher black RAL 9005, Cable gland bronze-green RAL 6031-F9, Bayonet ring bronze-green RAL 6031-F9, Housing cover bronze-green RAL 6031-F9, Collar bronze-green RAL 6031-F9, Hinged lid bronze-green RAL 6031-F9
Connection design	screw terminal as box terminal with Kontex-contact
Maximum conductor size	50.0 qmm
Cable entry	Cable gland
Height	295mm
Width	125mm
Depth	128mm
Material of enclosure	Polyamide
Contacts	The contact carrier is made of high temperature resistant material, the contacts are brass nickel plated

Additional technical properties	
	with pilot contact
	For cable diameter from 26 up to max. 50 mm, Screwless housing connection, Multi-Grip cable gland with gasket, integrated cable clamp and additional water evacuation openings
	With bayonet cover on strap

Logistics data	
Weight/pcs	1.355 kg / Piece
Packaging	Bag
Content amount	1 ST
EAN	4024941310277
Length	128 mm
Width	125 mm
Height	295 mm
Weight	1.356 kg
Volume	4,720 ccm
Packaging	Carton
Content amount	5 ST
EAN	4024941840026
Length	345 mm
Width	345 mm
Height	217 mm
Weight	7.11 kg
Volume	24,276 ccm



Ampere	63	63	63	125	125	125
Polzahl	3	4	5	3	4	5
a ø	110,0	110,0	110,0	125,0	125,0	125,0
b	263,0	263,0	263,0	300,0	300,0	300,0
c	113,0	113,0	113,0	128,0	128,0	128,0
d ø	36,0	36,0	36,0	50,0	50,0	50,0
Leiter mm <sup>2</sup> min	6,0	6,0	6,0	16,0	16,0	16,0
Leiter mm <sup>2</sup> max	16,0	16,0	16,0	50,0	50,0	50,0