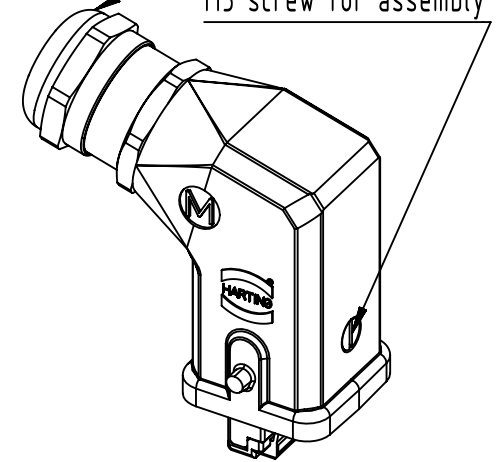


Mating face acc. to IEC 60603-7

M20x1,5 metal sealing gland

M3 screw for assembly



Cable outer jacket $\varnothing 5\text{-}\varnothing 9\text{mm}$
 AWG 22-23 solid
 AWG 22-24 stranded
 Single wires insulator outer \varnothing max. 1,6mm

	All rights reserved Department EL PD	All Dimensions in mm Original Size DIN A4		Scale 1:1	Free size tol.		Ref. Sub.	
		HARTING D-32339 Espelkamp	Created by 406403	Inspected by PREOTU	Standardisation ROEBEN	Date 2023-04-04	State Final Release	
		Title Han3A RJ45 Cat5 plug 4p IDC, angled				Rev. E		Page 1/1
		Type TB	Number 09451151104					