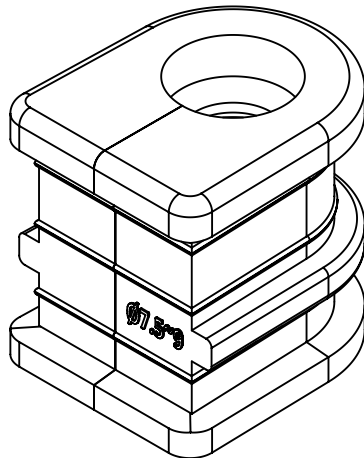
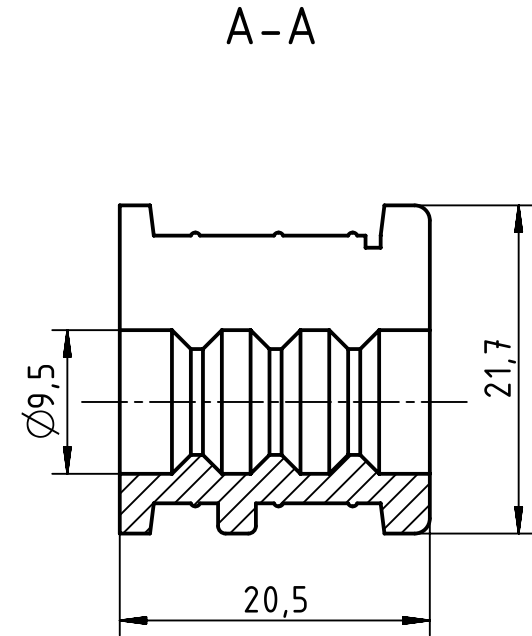
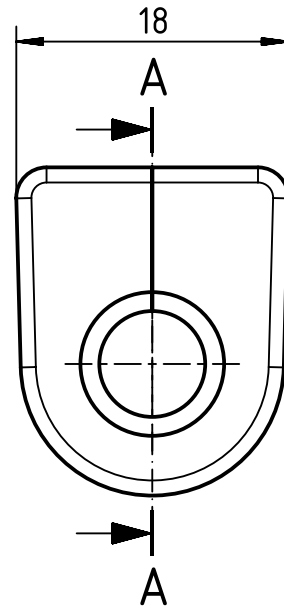



1 2 3 4 5 6

A
B
C
D



suitable cable $\varnothing 7,5 \sim \varnothing 9 \text{ mm}$

	All rights reserved Department EL PD	Created by LONGL	Inspected by DINGB	Standardisation RUETERA	Date 2018-07-10	State Final Release	
		Title Cable Sealing f. Split Hood, OD 7.5~9mm				Doc-Key / ECM-Nr. 100736658/UGD/001/A 500000137432	
HARTING Electric GmbH & Co. KG D-32339 Espelkamp		Type TB	Number 09 00 000 6007			Rev. A	Page 1/1