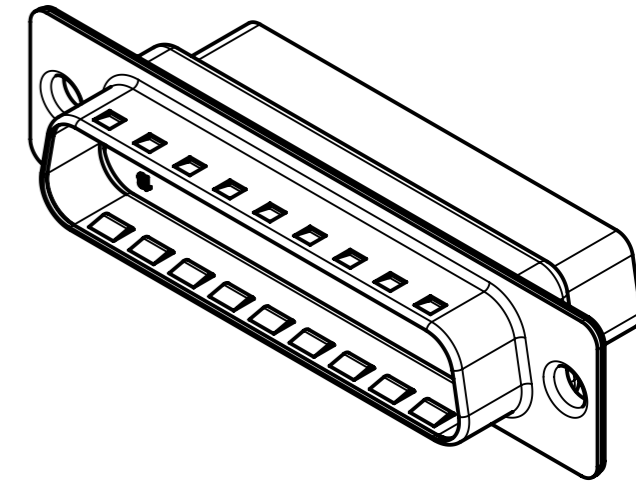
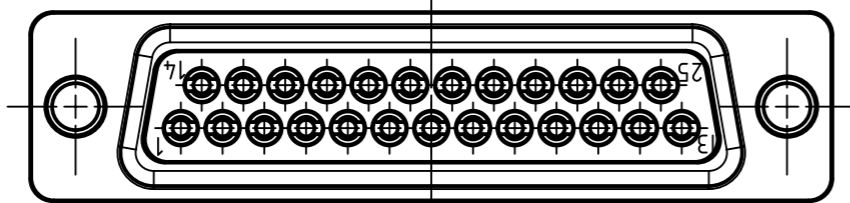
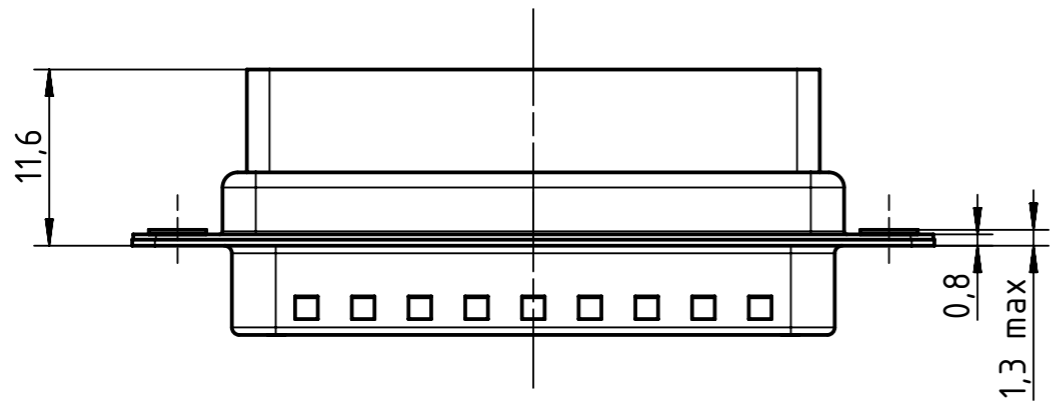
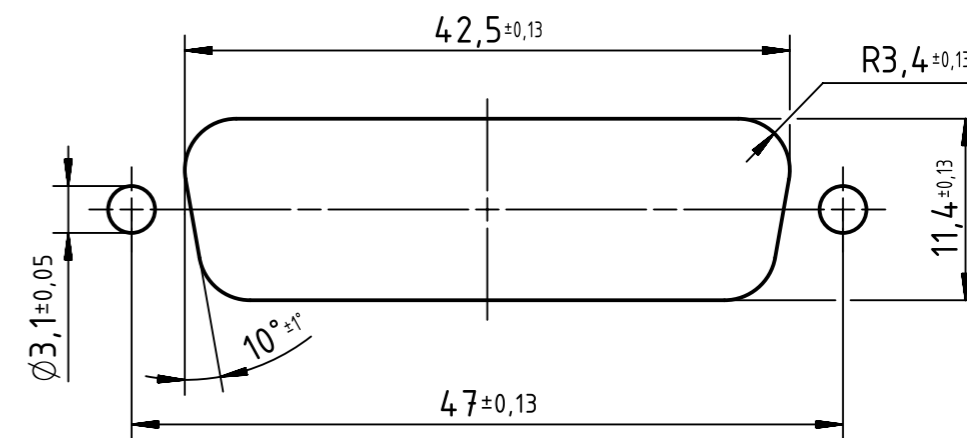


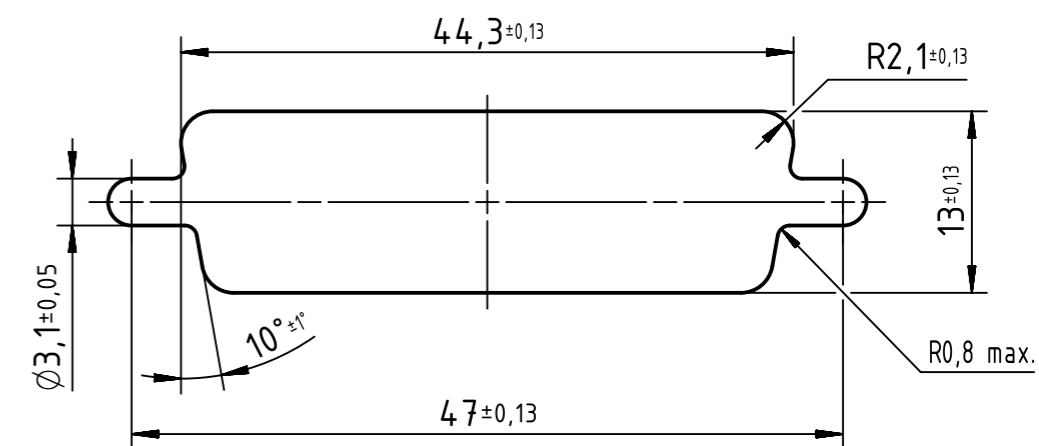
Mating face according to CECC 75301-802



Rear mounting panel cut out



Front mounting panel cut out



	All Dimensions in mm Original Size DIN A3		Scale 2:1	Free size tol.		Ref.	
	All rights reserved Department EC PD - CN		Created by ZHUANGJ	Inspected by LUOK	Standardisation HOFFMANN	Date 2017-04-06	State Final Release
HARTING Electronics GmbH D-32339 Espelkamp		Title D-Sub crimp 25-pole male assembly				Doc-Key / ECM-Nr. 100235543/UGD/002/D 500000117639	
		Type TB	Number 09670255601		Rev. D	Page 1/1	