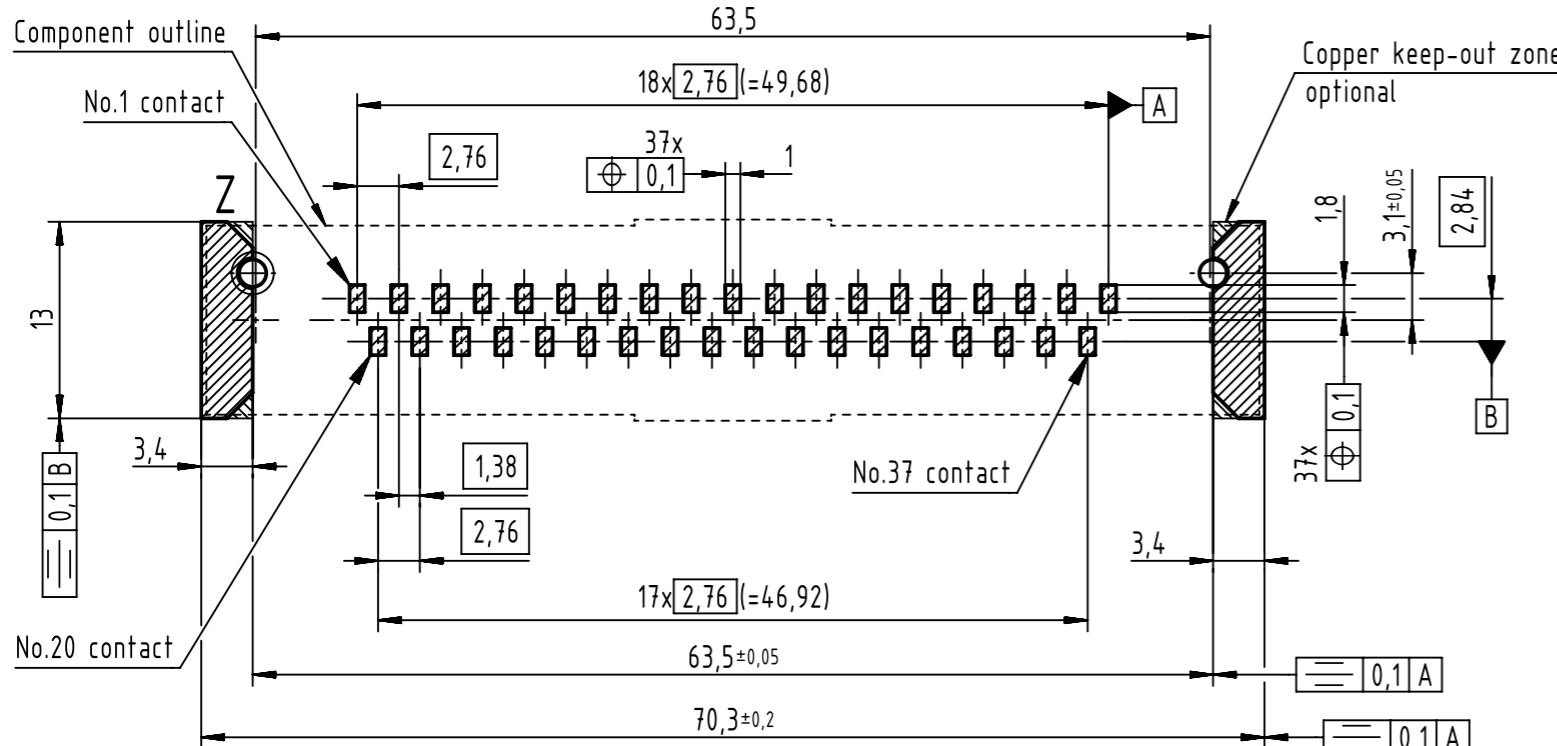


PCB layout, component side



Max. Temperature: 260°C during 10 seconds.  
Find further technical information on DS 09550200302

0955 429 6822 333	2	4-40 UNC	Black insulator	Samples
0955 429 3821 741	1	M3	Black insulator	Reel packing: 140 connectors
0955 429 3822 741	1	4-40 UNC		
0955 429 6821 741	2	M3		
0955 429 6822 741	2	4-40 UNC		
0955 429 7821 741	3	M3		
0955 429 7822 741	3	4-40 UNC		
0955 429 7822 741	3	4-40 UNC		
Part number	PL	Nut	Index designation	

<p>All rights reserved Department EL PD HARTING Electronics GmbH D-32339 Espelkamp</p>	<p>All Dimensions in mm Original Size DIN A3</p>	<p>Scale 2:1</p>	<p>Free size tol.</p>	<p>Ref.</p>	<p>Sub.</p>
	<p>Created by ZHUANGJ</p>	<p>Inspected by LUOK</p>	<p>Standardisation HOFFMANN</p>	<p>Date 2018-11-29</p>	<p>State Final Release</p>
<p>Title D-Sub str SMT 37-pole male with screwlock &amp; ground pad</p>				<p>Doc-Key / ECM-Nr. 100236629/UGD/001/C 500000139800</p>	
<p>Type TB</p>		<p>Number 0955429X82X</p>		<p>Rev. C</p>	<p>Page 1/1</p>