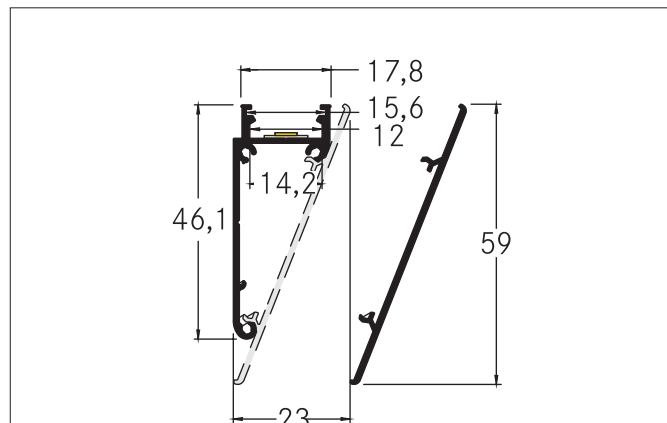


P73-12 Wall surface-mounted profile

Article no. 53754070

Light.
For Generations.**Tender**

Wall surface-mounted profile, white. With the use of profile covers 53400000 53400070 53431070 the additional mechanical protection and optimal light distribution can be achieved. The associated end cap set is under 5307907053080070 available. Additionally the corner connector 53082070 can easily be used to create a 90 ° angle. for Mounting method: Mounting profile. Material: Aluminium, dimensions profile: length: 2.000 mm x width: 17,8 mm x height: 46,1 mm .

Product Benefits

- Uncomplicated implementation of wall mounting solutions for indirect lighting.
 - For a special lighting effect on the wall without existing voue.
 - Up to 4 meters in length in one piece.
- (For deliveries over 2000 mm: please ask for delivery costs separately).
- Can be mounted downwards or upwards as desired.
 - Integrated cable routing possible.

Article data	
Article no.	53754070
GTIN	4251433912484
Series name	P73-12
Short description	Wall surface-mounted profile
Material	Aluminium
Colour	White
Type of surface	Matt
Length	2,000 mm
Width	17.8 mm
Hight	46.1 mm
Weight	0.660 kg

P73-12 Wall surface-mounted profile

Article no. 53754070

Light.
For Generations.

Packing data	
Gross weight	1.07 kg
Length of packaging	2,020 mm
Packaging width	45 mm
Packaging height	45 mm
Note	Please note that the materials aluminium and PMMA or PC can expand differently with changes in temperature! At a temperature change of 10°C, the coefficient of expansion is approx. aluminium is approx. 0.7mm per metre, for plastic approx. 1.5mm per metre. This is not a defect in the product, this is a normal physical process.
Disposal at end of life	This product must not be disposed of with household waste. You are obliged, to dispose of such electrical waste separately. By disposing of electrical waste and other old or defective electronics separately, you support recycling or other forms of re-use. In that way you help to take care and to avoid that harmful substances get into the environment.