

5

4

3

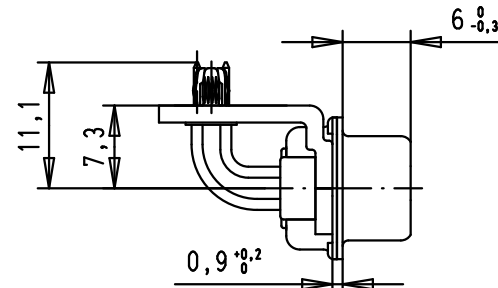
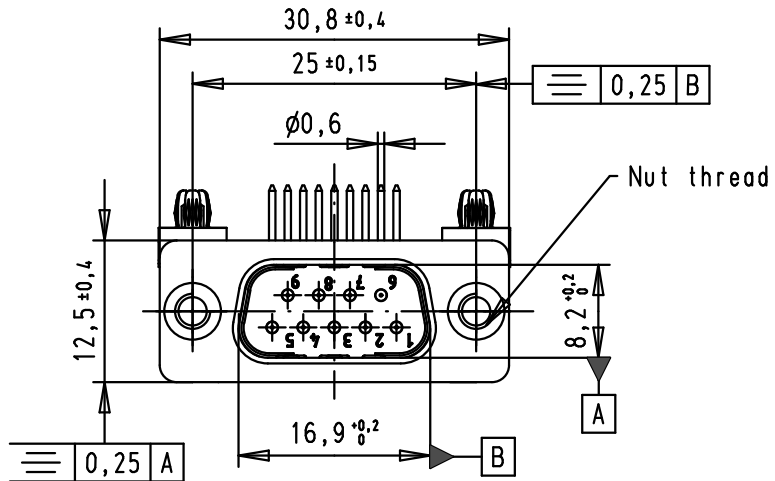
2

1

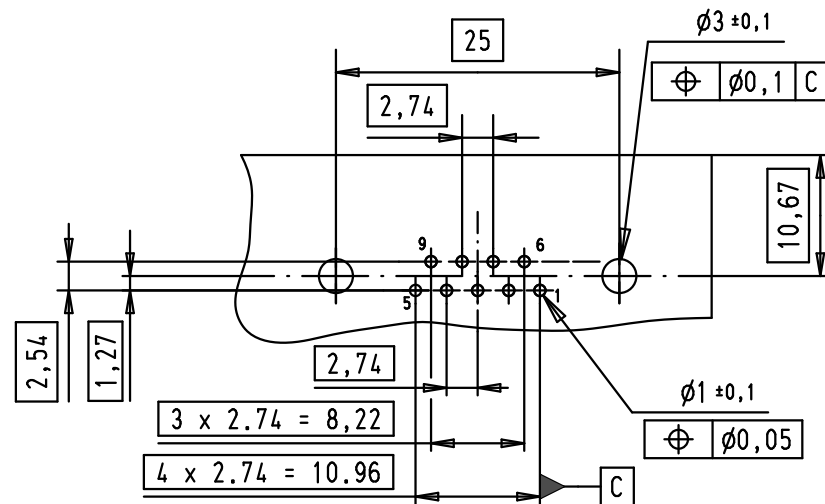
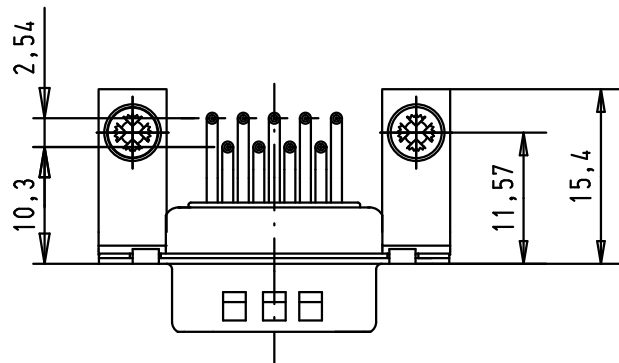
## SPECIFICATION

Performance level	PL2
Filter type	C
Capacitance	3900pf±20%
Working Voltage	100v
Current Rating	7.5A
Insulation Resistance	>1GΩ

FREQUENCY (MHz)	ATTENUATION (dB)
5	6dB
10	11dB
50	25dB
100	35dB
500	35dB
1000	32dB



PCB Layout, Component side,  
thickness 1.6 mm



A

						Dat.		Name		D-Sub, male, angled, 9 Poles, solder pins, brackets, clinch nuts and board-locks		Mo?Mstab/ Scale
						Detail.		13/10/05 JMDR		All Dim. in mm Orig. Size DIN A 4		1.5:1
						Insp.		12/01/12 JB				
						Stand.						
			36283 12/01/12 SD									
09641247243 M3			33240 13/10/05 JMDR									
09641247242 UNC 4-40			31058 8-JUL-02 CV									
Part number Nut thread			Mod. Dat. Name					HARTING EURL F-95972 Paris		Sub.		Blatt/ Page 1 / 4



TB 0964124724x