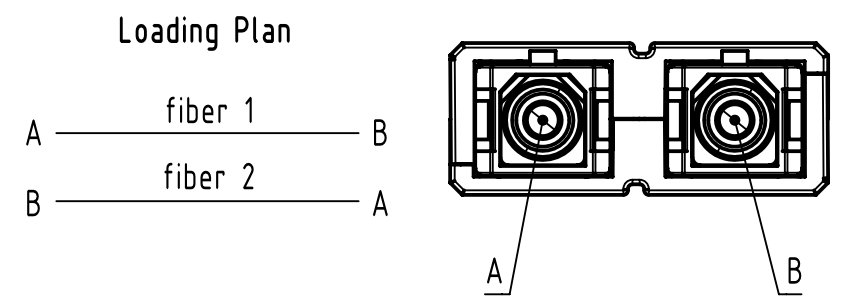
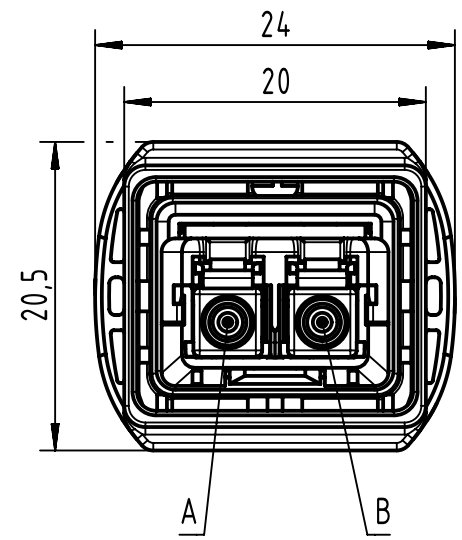
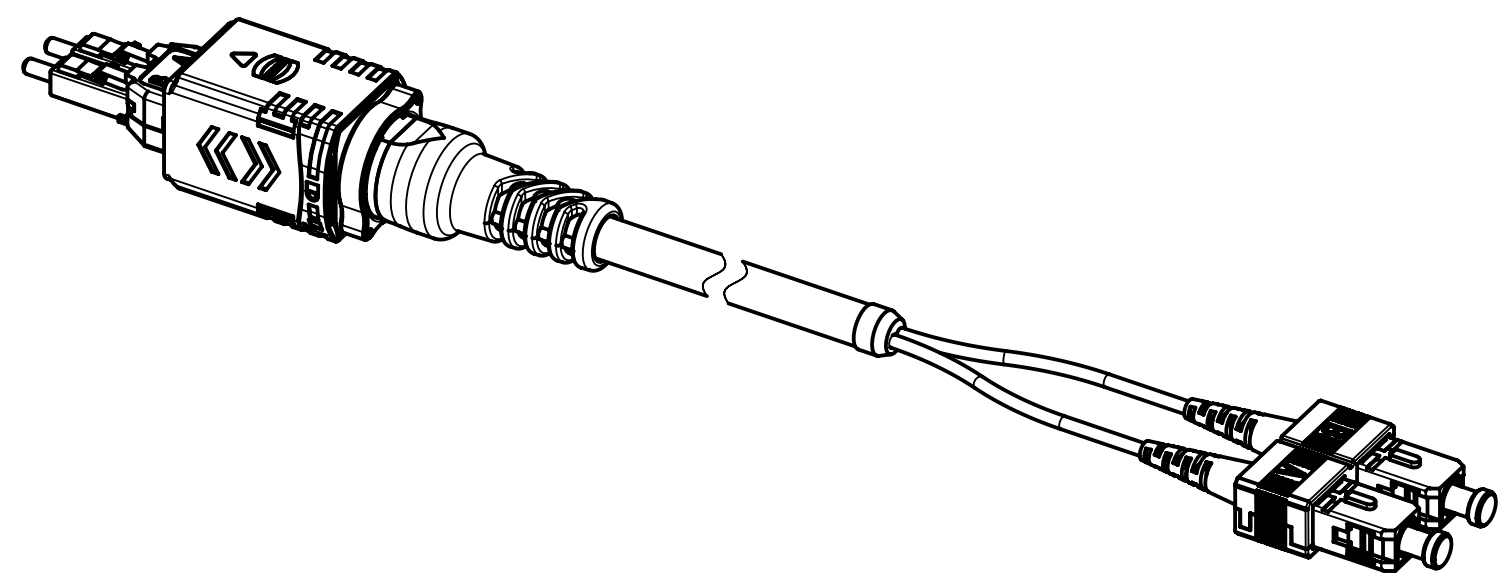
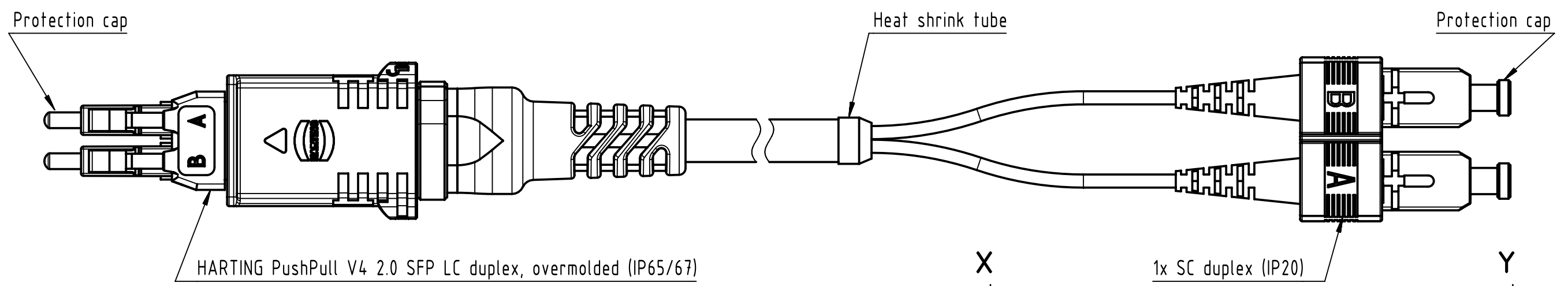
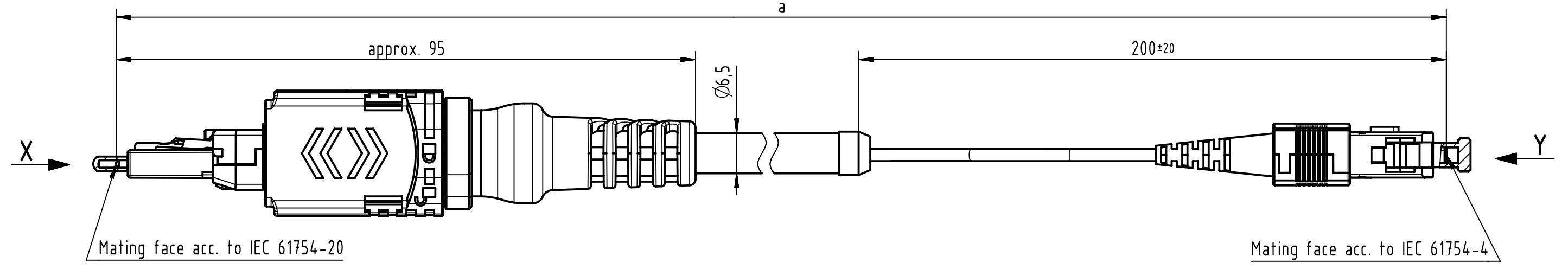



Connector Location A

Connector Location B



- Temperature range: -40°C ... +85°C

	All rights reserved		Created by COSTEA Costea		Inspected by 402676 Gross		Standardisation MUNTEANV Muntean		Date 2021-02-23		State Final Release	
	Department HCS - RO		Title FO CA PP2-SCdx, 9µ, G657A1, PUR		Type TB		Number 3361431XXX0004		Doc-Key / ECM-Nr. 100677725/UGD/009/E 500000189720		Rev. E Page 1/2	
HARTING Customised Solutions D-32339 Espelkamp			All Dimensions in mm    Tech. Character.    Free size tol.    According to production drawing									

1	2	3	4	5	6	7	8				
A								A			
B								B			
C	27	3361431100004	FO Cable, 2-channel, SM, 9/125µm, PUR, black	100				C			
	26	33614310900004		90							
	25	33614310800004		80							
	24	33614310700004		70							
	23	33614310600004		60							
	22	33614310500004		50							
	21	33614310450004		45							
	20	33614310400004		40							
	19	33614310350004		35							
	18	33614310300004		30							
D	17	33614310250004		25				D			
	16	33614310200004		20							
	15	33614310150004		15							
	14	33614310140004		14							
	13	33614310130004		13							
	12	33614310120004		12							
E	11	33614310110004		11				E			
	10	33614310100004		10							
	9	33614310090004		9							
	8	33614310080004		8							
	7	33614310070004		7							
	6	33614310060004		6							
	5	33614310050004		5							
	4	33614310040004		4							
F	3	33614310030004		3				F			
	2	33614310020004		2							
	1	33614310010004		1							
Cont. no.	Part no.	Type of cable	Dim. a[m]	 All rights reserved Department HCS - RO HARTING Customised Solutions D-32339 Espelkamp				Tech. Character. Free size tol. According to production drawing		Created by COSTEA Costea Inspected by 402676 Gross Standardisation MUNTEANV Muntean Date 2021-02-23 State Final Release Title FO CA PP2-SCdx, 9µ, G657A1, PUR Type TB Number 3361431XXX0004 Doc-Key / ECM-Nr. 100677725/UGD/009/E 500000189720 Rev. E Page 2/2	
1	2	3	4	5	6	7	8				