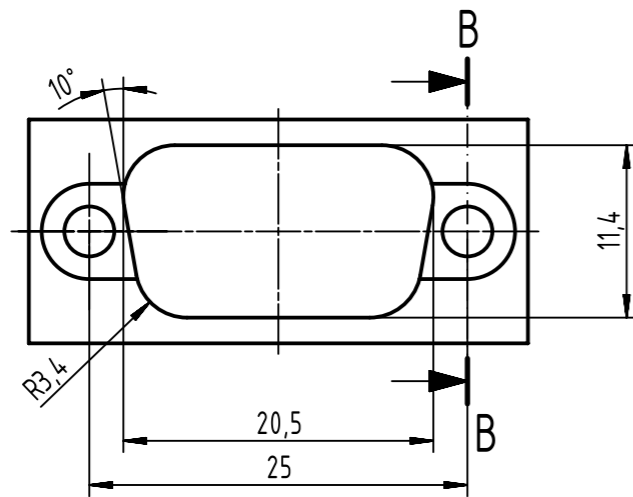
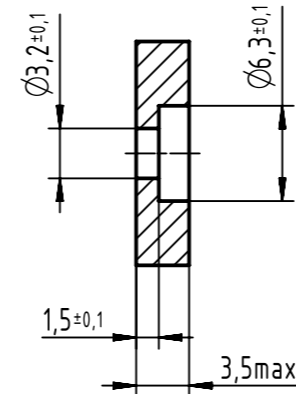


Panel dimensions recommendation



B-B



Delivery consists of:

- 1 Metal hood with cover and 4 M2,5 cover screws
- 2 Hexagonal special 3,5mm female jack screw with washer
- 1 Screw M2,5 for grounding post
- Hood and cover: Zinc die-casting

Part number	Thread
6103 001 8010 101	M3
6103 001 9010 101	4-40 UNC

	All rights reserved Department EL PD HARTING Electronics GmbH D-32339 Espelkamp	All Dimensions in mm Original Size DIN A3		Scale 2:1	Free size tol.	Ref. Sub.
		Created by ZENGDO	Inspected by LUOK	Standardisation KOHLER	Date 2018-12-18	State Final Release
Title InduCom 9-pole hood with female screw lock		Type TB	Number 6103001X010101	Rev. B	Page 1/1	