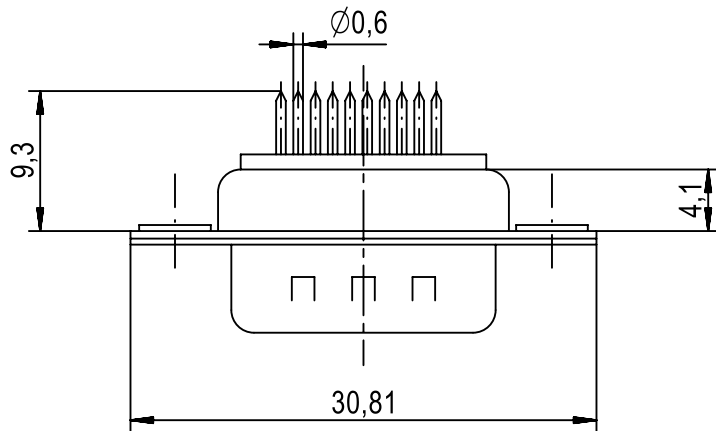
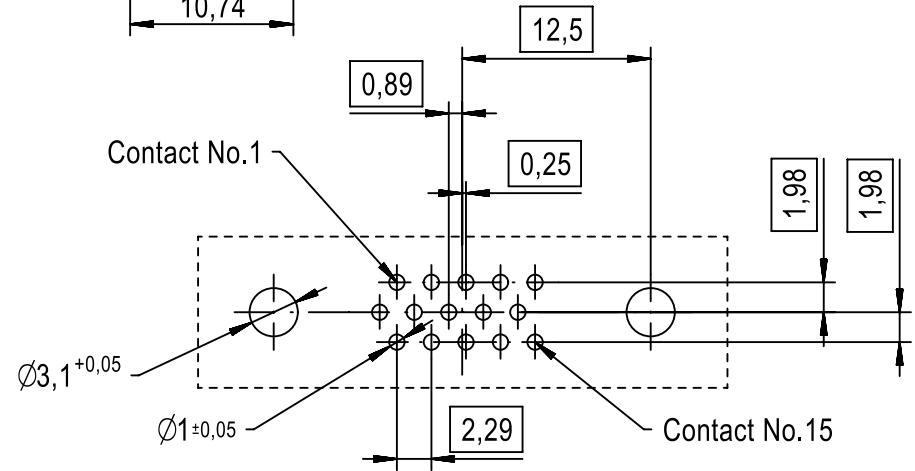
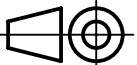



PC-Board layout  
view component side  
thickness 1,6 mm



	All Dimensions in mm Original Size DIN A4	Scale	Free size tol.		Ref.	
		2:1			Sub.	
	All rights reserved Department EC PD - FR	Created by	Inspected by	Standardisation	Date	State
		DOUGE	BAGDIKIAN	HOFFMANN	2013-10-25	Final Release
HARTING Electronics GmbH D-32339 Espelkamp		Title				Doc-Key / ECM-Nr.
		D-Sub HD 15P male straight solder pins				100513323/UGD/001/B 500000065862
		Type	Number		Rev.	Page
		TB	0956161X700		B	1/1

09561615700	S4
09561617700	3
Part number	Performance level