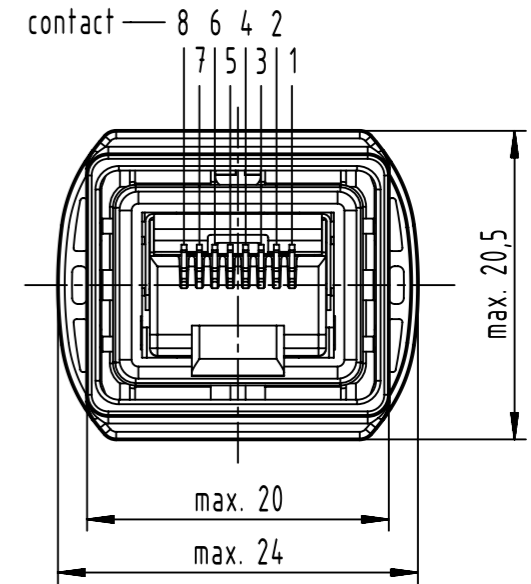
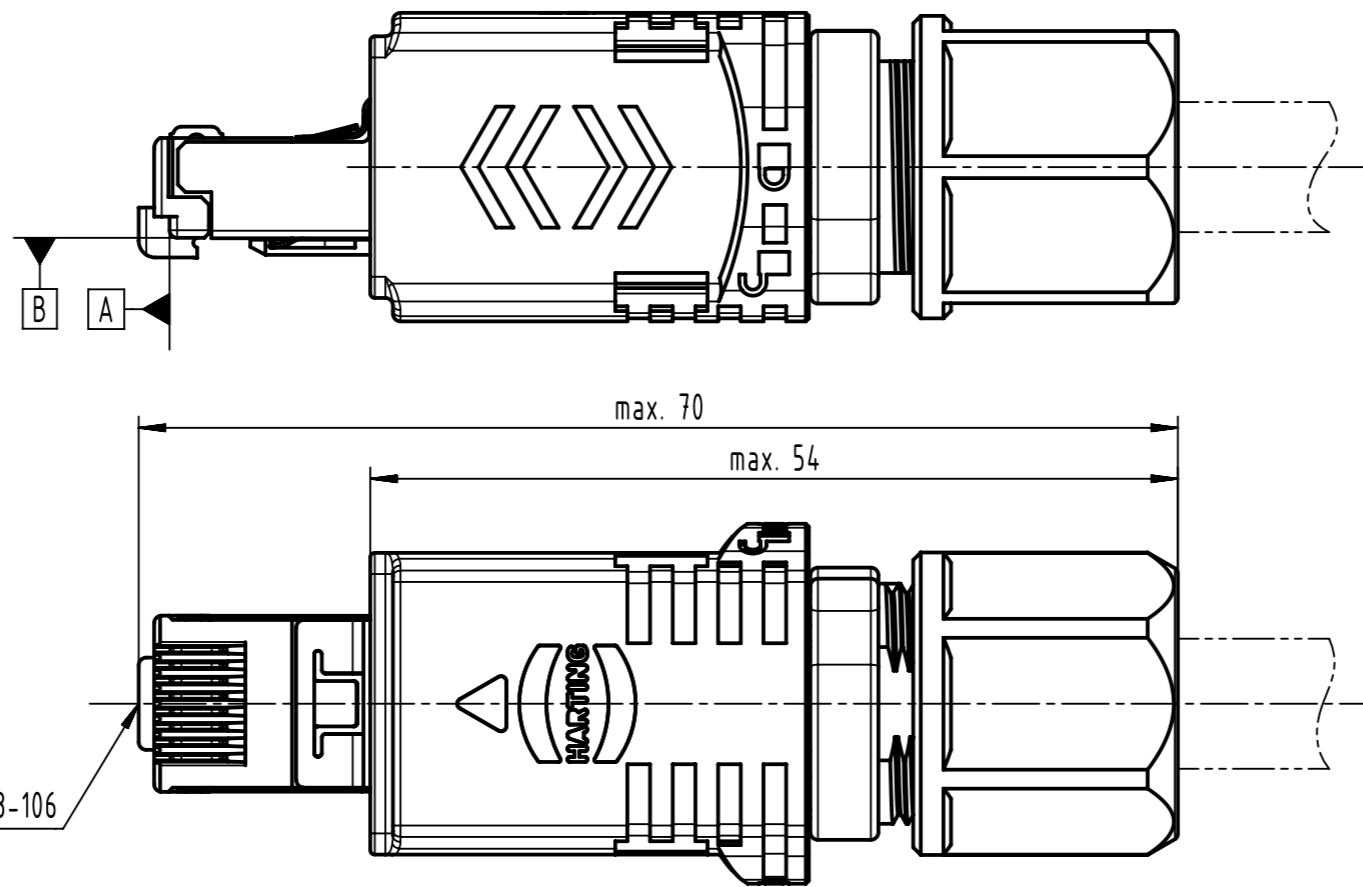
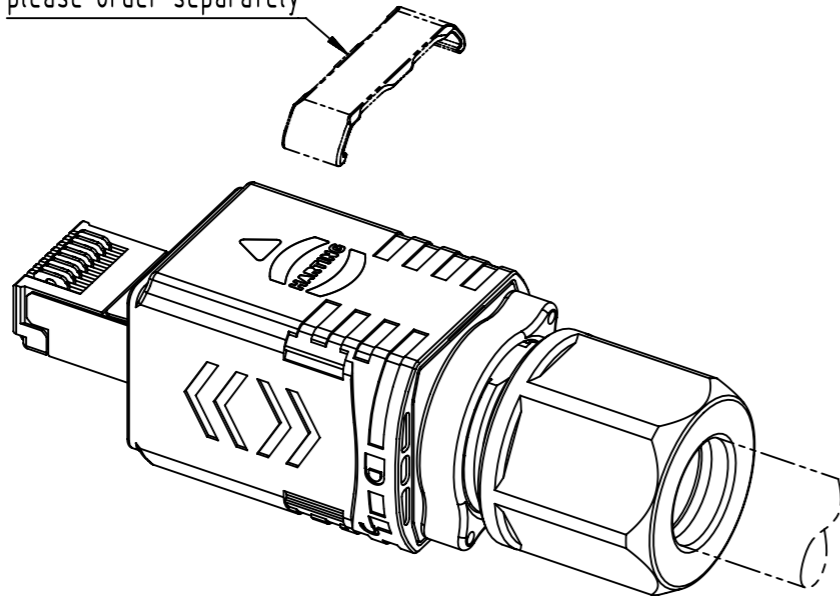


# HARTING PushPull V4 Plug and RJ45, not assembled



Coding Clip for Plug  
see TB 0945840000X  
please order separately



further information see product data sheet

	All rights reserved Department EL PD	Created by ZWAHR	Inspected by STORCK	Standardisation	Date 2023-09-20	State Final Release	Ref. Sub.
	HARTING D-32339 Espelkamp	Title HARTING PushPull V4 Plug, RJ45, Cat. 6A, 8-pole				Doc-Key / ECM-Nr. 100657735/UGD/000/J 500000251439	
		Type TB	Number 09451451521		Rev. J	Page 1/1	