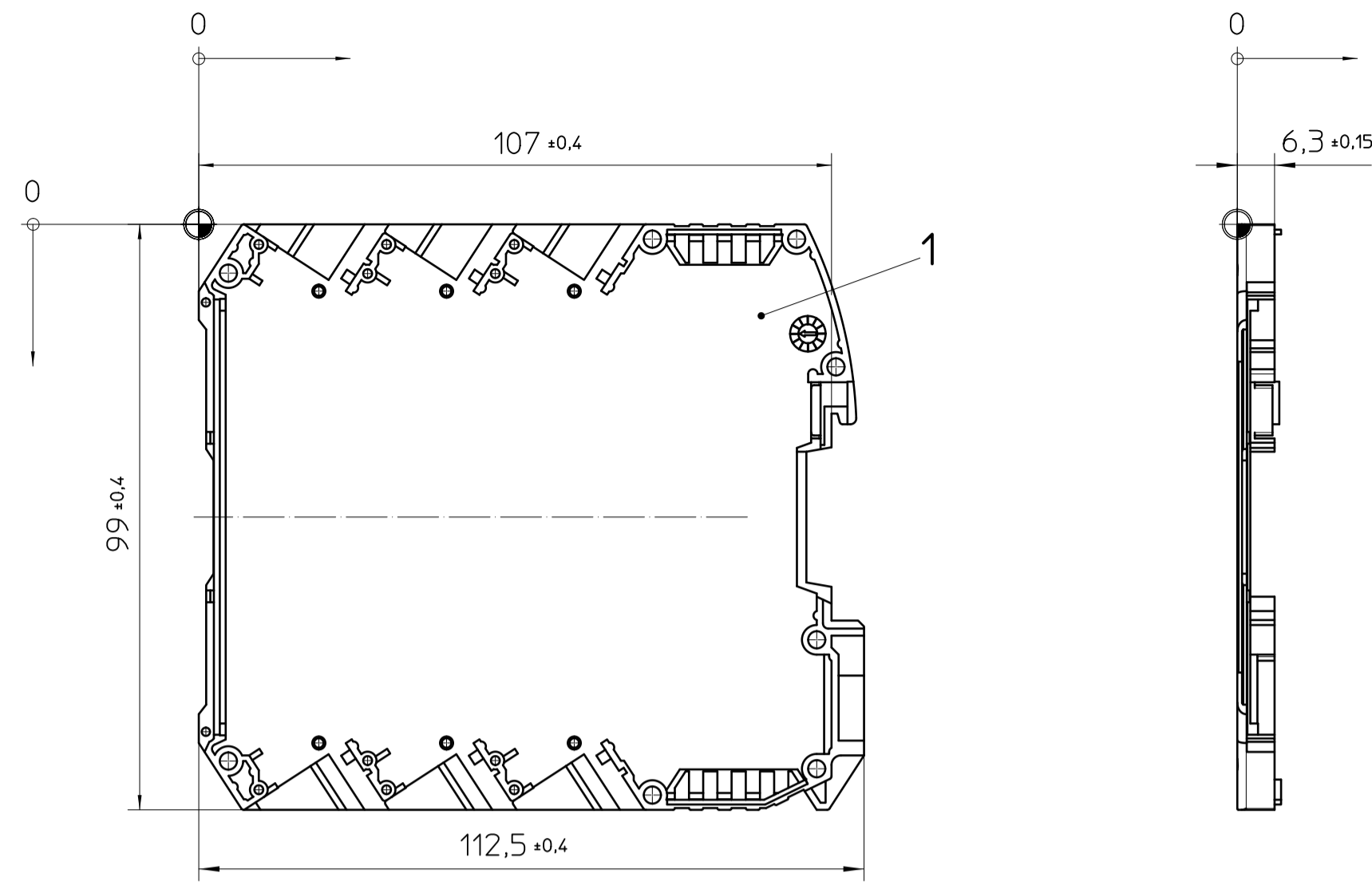
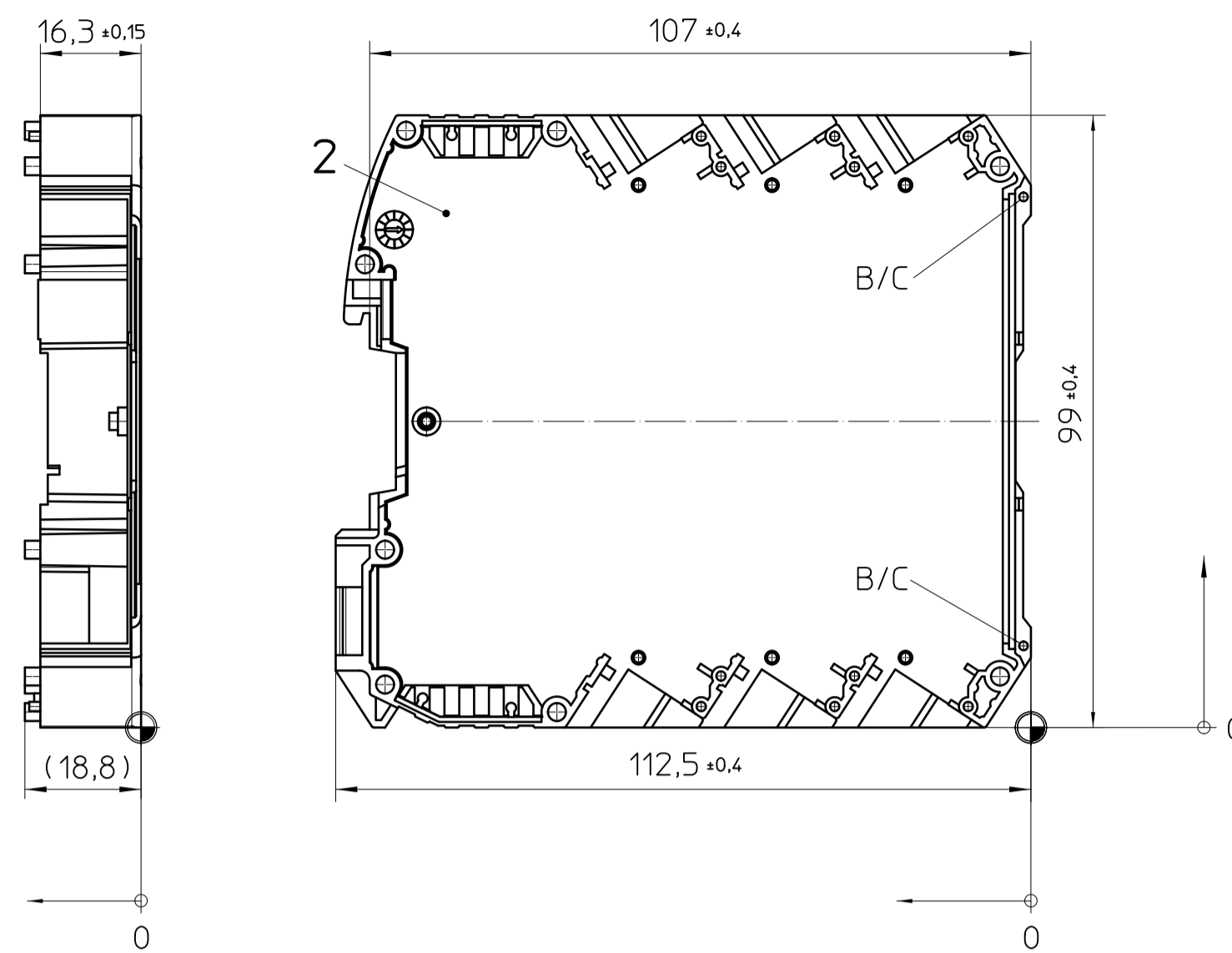


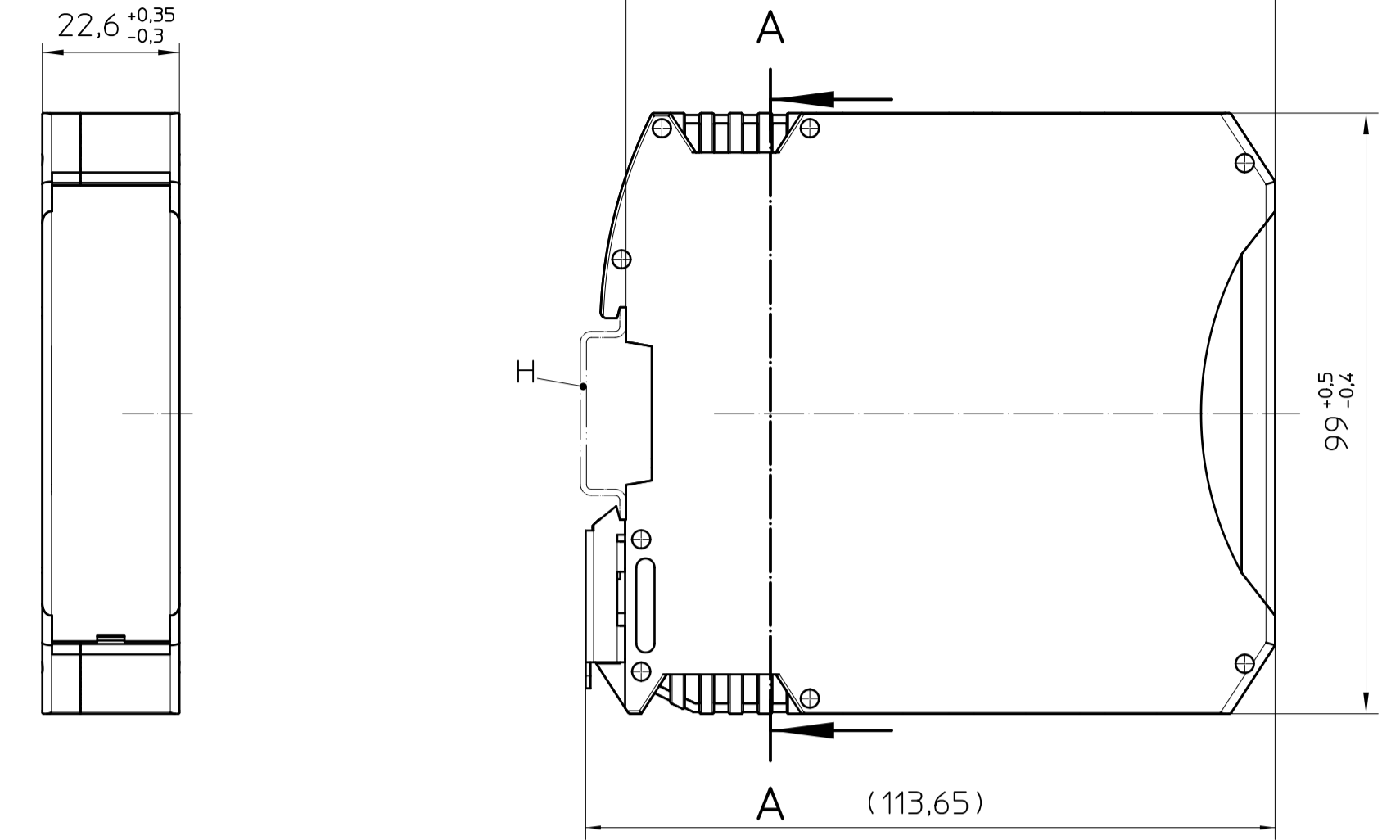
HOUSING LEFT



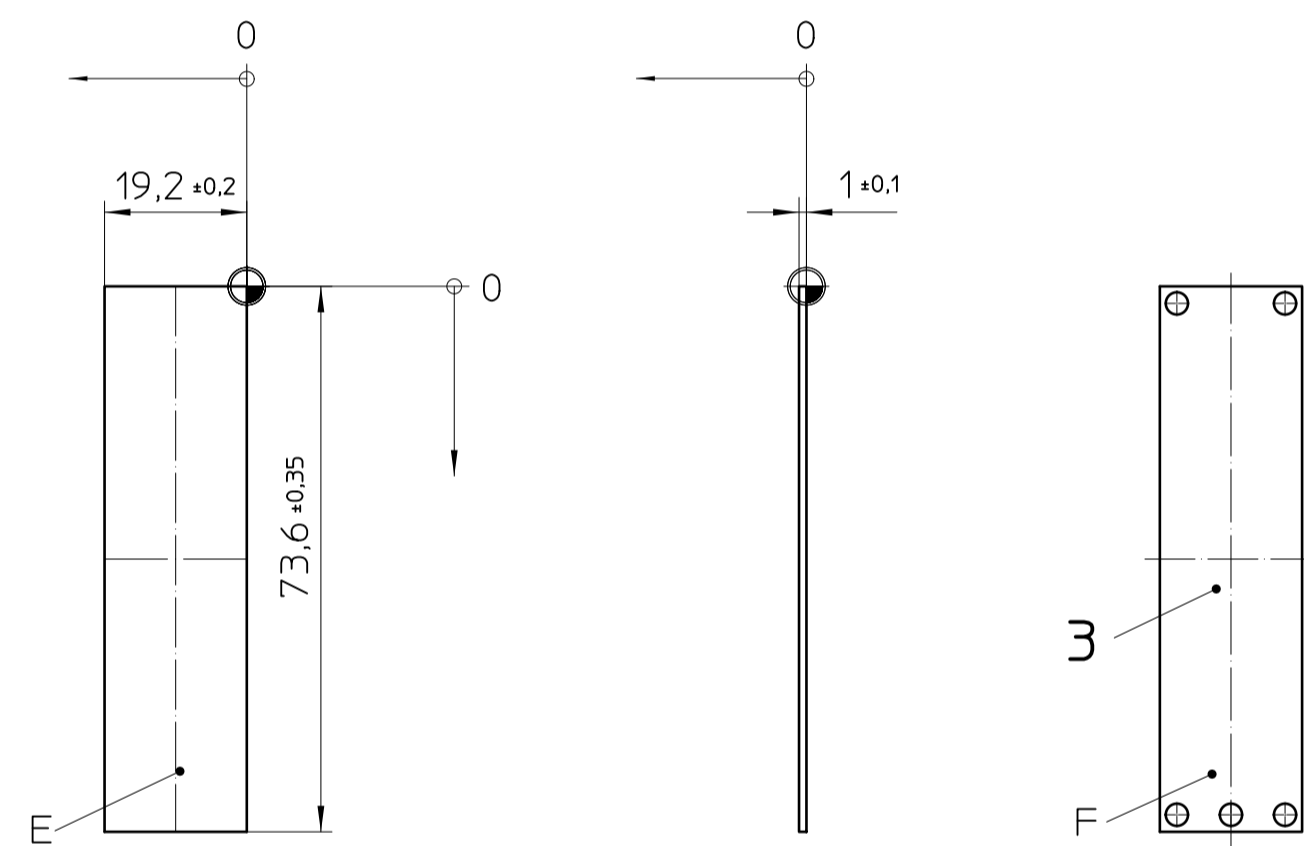
HOUSING RIGHT



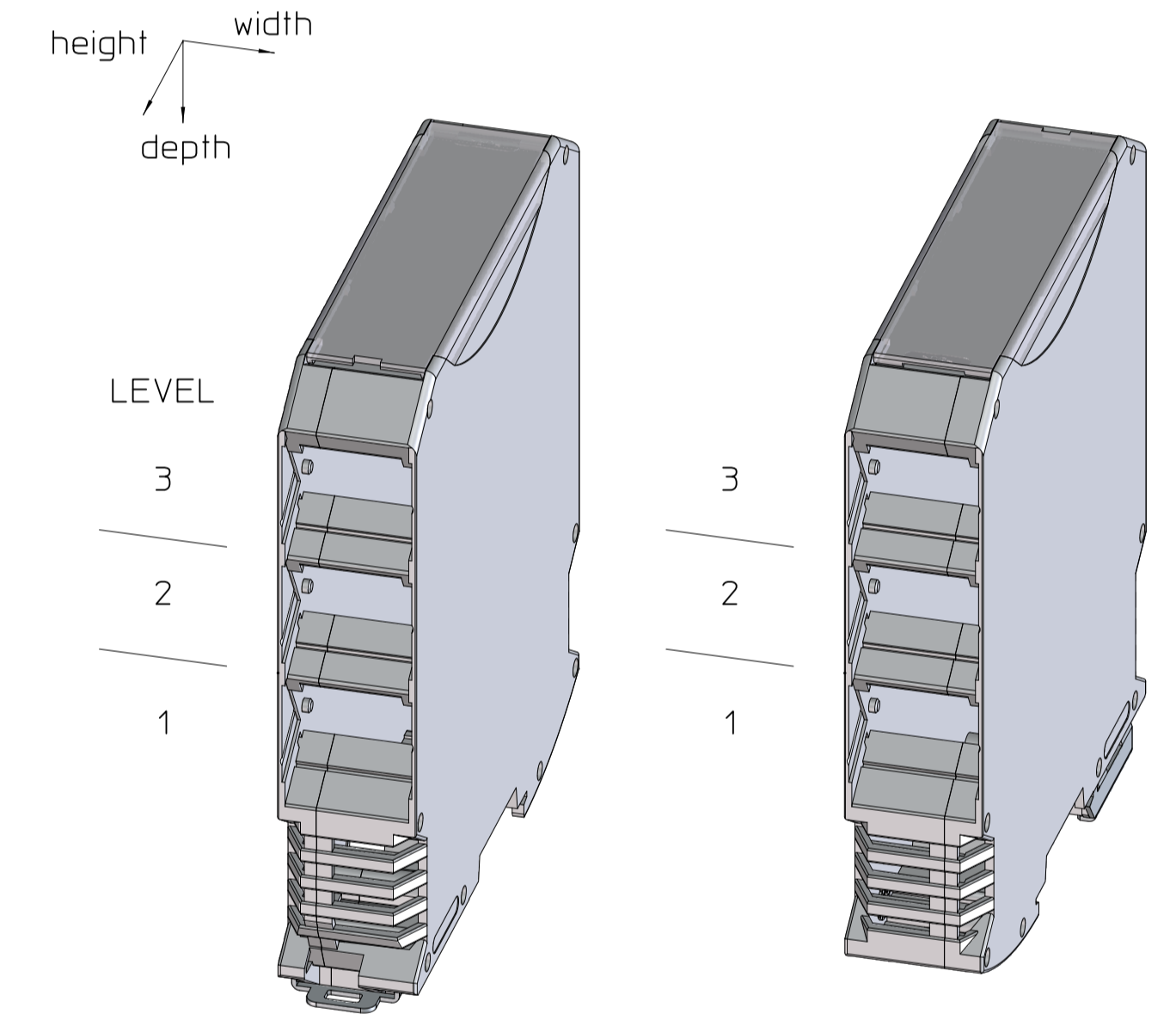
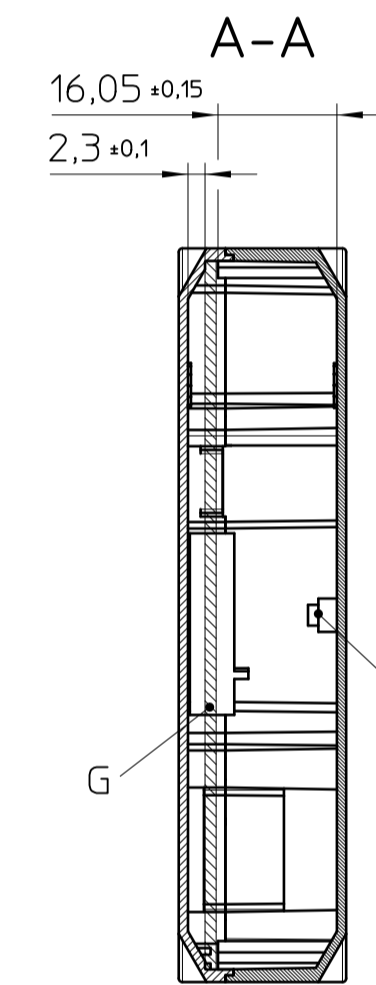
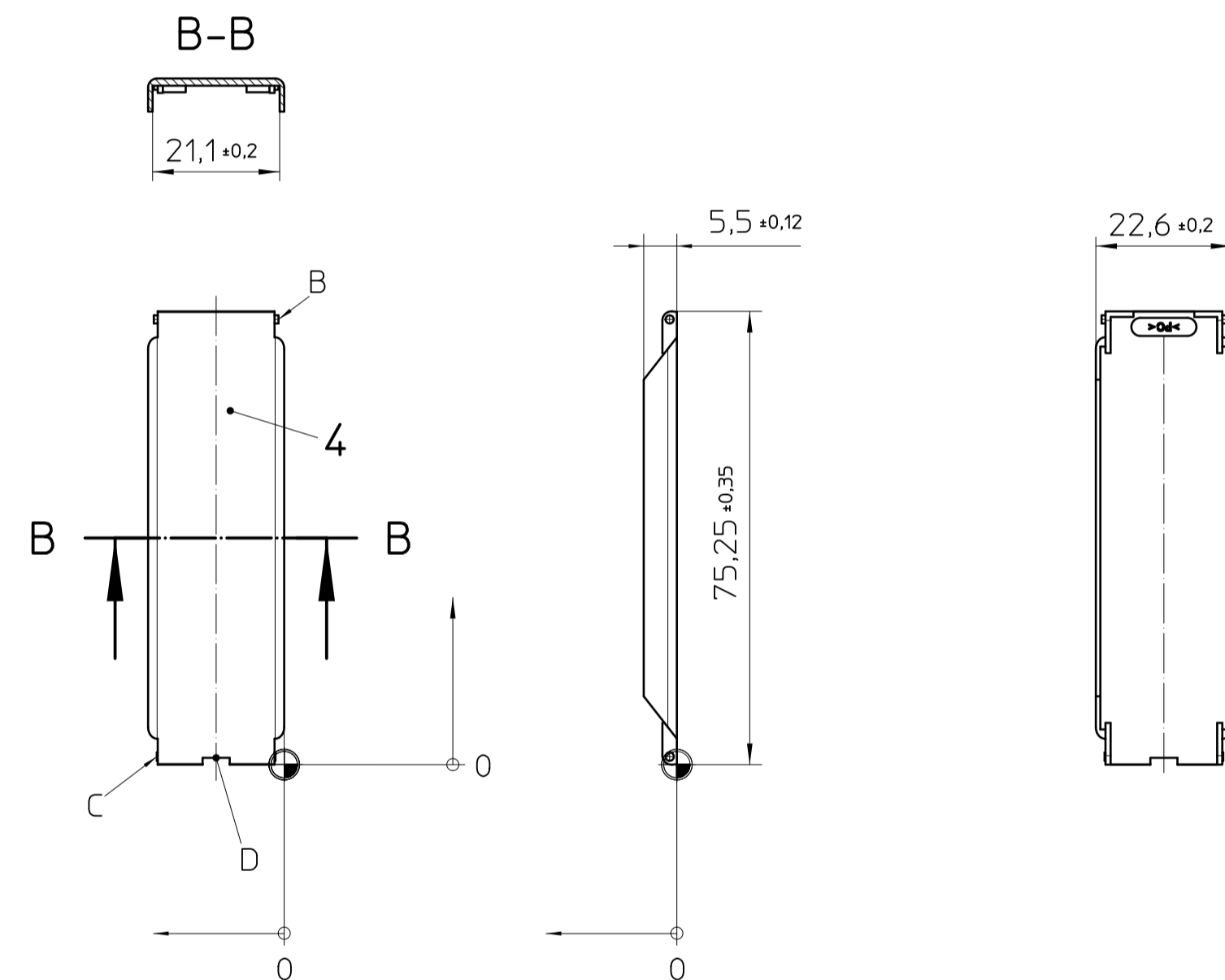
Assembly example: ME MAX 22,5 3-3



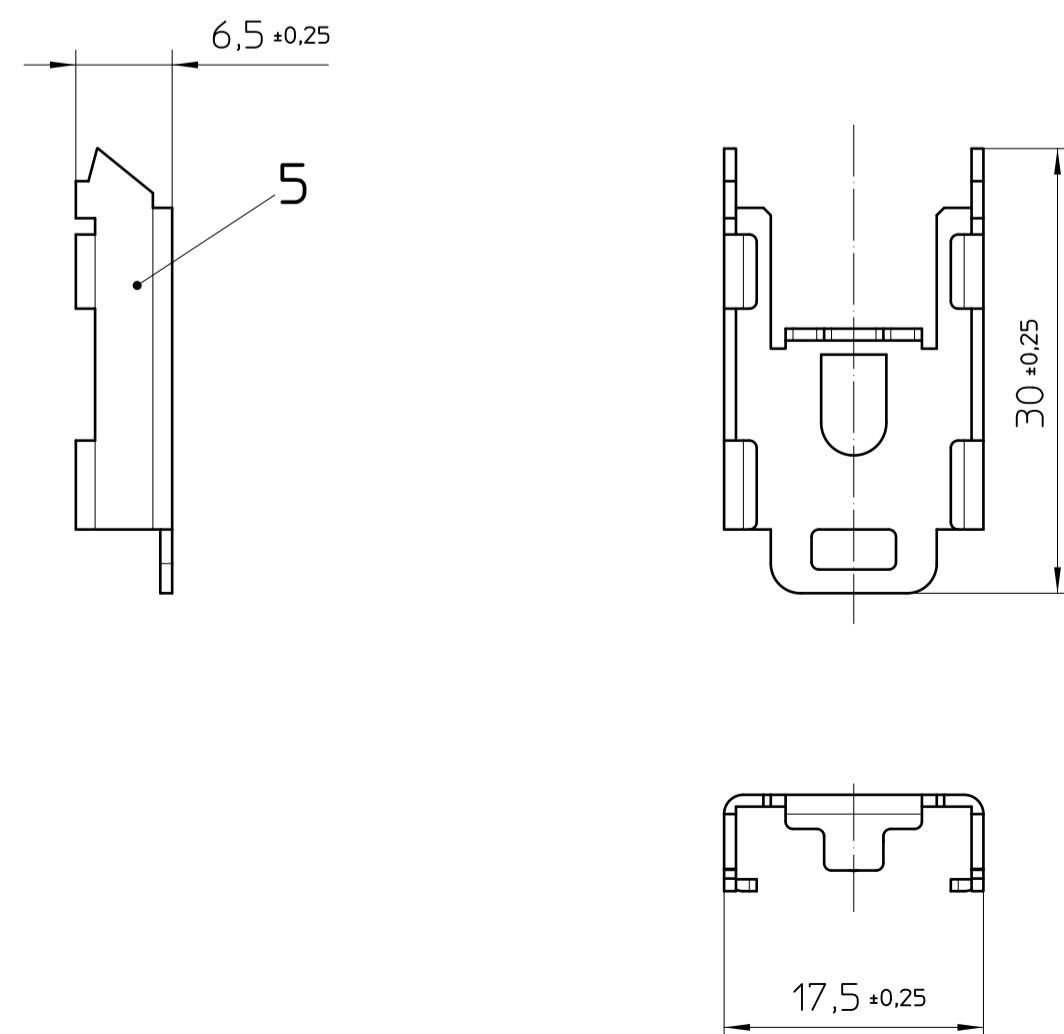
FRONT PLATE



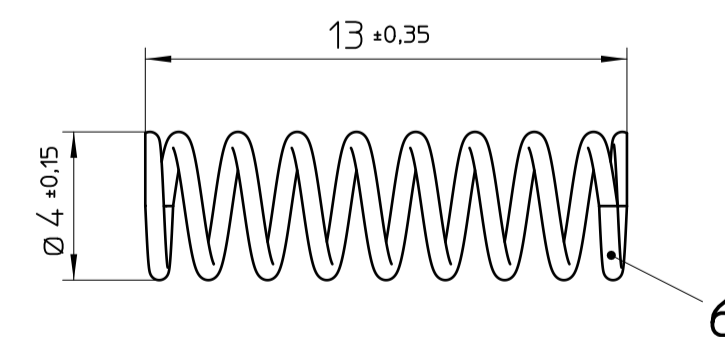
HINGED COVER



FOOT CATCH
2:1



SPRING
5:1



- General Information:
- Simplified representation, exemplary shown in gray.
 - Document excluded from change process
 - Dimensions in millimeters [mm], angles in degrees [°]
 - Tolerances apply in a normal climate according to DIN EN ISO 291-23/50-2.
 - PA plastic parts with about 2% (% by weight) moisture content.
 - Workpiece zero point for mechanical processing
 - Tolerances for mechanical processing are ISO 2768-mK
 - Tolerances for printing DIN ISO 2768-m
 - Machining radii min. R1, further on request
 - Web: www.phoenixcontact.com

- Additional Information:
- A. Attachment point for the optional PCB
 - B. Pivot bearing HINGED COVER
 - C. Locking HINGED COVER
 - D. Notch for locking release, by screw driver
 - E. Exposed side
 - F. Inner side
 - G. Recommended PCB outline on www.phoenixcontact.com webcode: #0512
 - H. Mounting rail like EN 60715: TH 35-7,5 or mounting rail TH 35-15x1,5 similar to EN 60715

KIT (not mounted)

Pos.	QTY	Description	Material
1	1	HOUSING LEFT	PA
2	1	HOUSING RIGHT	PA
3	1	FRONT PLATE	PA
4	1	HINGED COVER	PC
5	1	FOOT CATCH	STL
6	1	SPRING	STL

Weitergabe sowie Vervielfältigung dieses Dokuments, Verwertung und Mitteilung seines Inhalts sind verboten, soweit nicht ausdrücklich gestattet. In allen Fällen vorbehalten die Rechte der Patente-, Gebrauchsmuster- oder Designrechte.