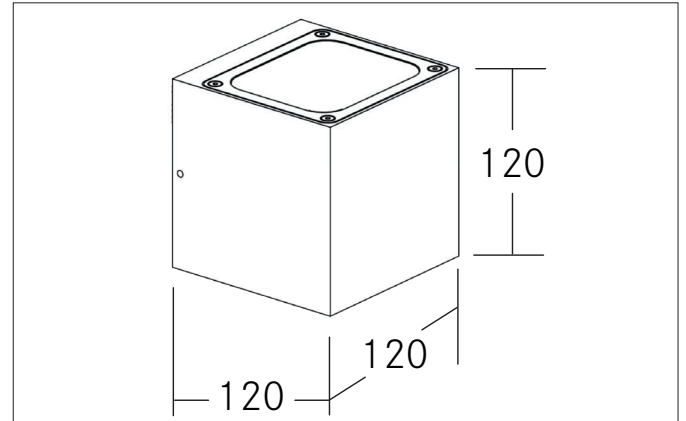


SELIA LED wall surface mounted luminaire, IP54
Article no. 65236103

Light.
For Generations.



Tender

LED wall surface mounted luminaire, IP54, Rectangular. Ceiling cut-out Installation depth mm, Length 120 mm, Width 120 mm, Weight 1,280 kg, with rotationssymmetrical, deep, wide distributed light intensity. Luminous flux 2.090 lm, Power 2 x 18 W, System Efficiency 116 lm/W, Light colour warm white to warm white, Correlated color temprature (CCT) 2.950 - 3.050 K, Colour rendering index CRI > 80, Housing material: Aluminium / Glass, Colour: Graphite structure, Permissible ambient temperature (ta): -20 °C - +25 °C, Protection class (EN 61140): I, Degree of protection (DIN EN 60529): IP54, .With electronic driver, on/off switchable.

Article data	
Article no.	65236103
GTIN	4251433982739
Series name	SELIA
Short description	LED wall surface mounted luminaire, IP54
Material	Aluminium / Glass
Colour	Graphite
Type of surface	Structure
Shape	Rectangular
Length	120 mm
Width	120 mm
Hight	120 mm
Scope of delivery	inkl. Konverter zum Anschluss an 230 V-Netzspannung, schaltbar
Weight	1.280 kg

SELIA LED wall surface mounted luminaire, IP54

Article no. 65236103

Light.
For Generations.

Lighting technology	
Colour temperature	3.000 K
Light colour	White
Light output	Direct/Indirect
Luminous flux	2,090 lm
System efficiency	116 lm/W
McAdam-Step	McAdam-Step 3
Colour rendering	CRI > 80
Beam angle	68°
Light sharing	Symmetric

Operating technology of the luminaire	
System output	18 W
Voltage type	AC
AC nominal voltage max	230 V
Frequenz max.	50 Hz
Frequenz min.	50 Hz
Lamp	LED
Protection class	I
Degree of protection	IP54
Control	on/off
Bulb change possible	The light source of this luminaire may only be replaced by the manufacturer or a service technician commissioned by him or a similarly qualified person.

Mounting technology	
Mounting method	Surface mounting
Place of installation	Wall-mounted
Adjustability	Not adjustable
Further references	Outdoor
Suitable for through-wiring	Yes

Packing data	
Gross weight	12.2 kg
Length of packaging	200 mm
Packaging width	150 mm
Packaging height	150 mm
Disposal at end of life	This product must not be disposed of with household waste. You are obliged, to dispose of such electrical waste separately. By disposing of electrical waste and other old or defective electronics separately, you support recycling or other forms of re-use. In that way you help to take care and to avoid that harmful substances get into the environment.