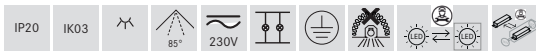
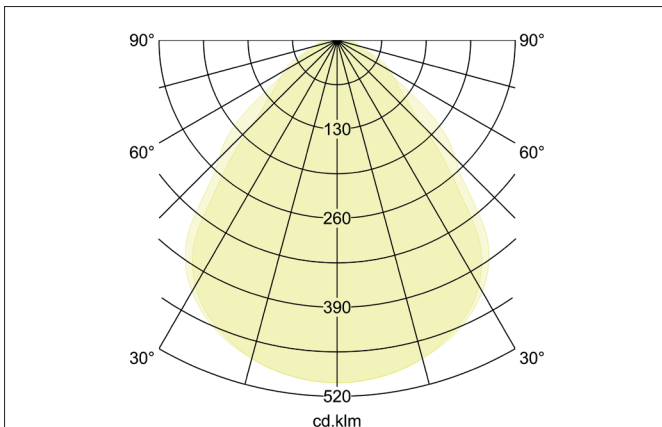
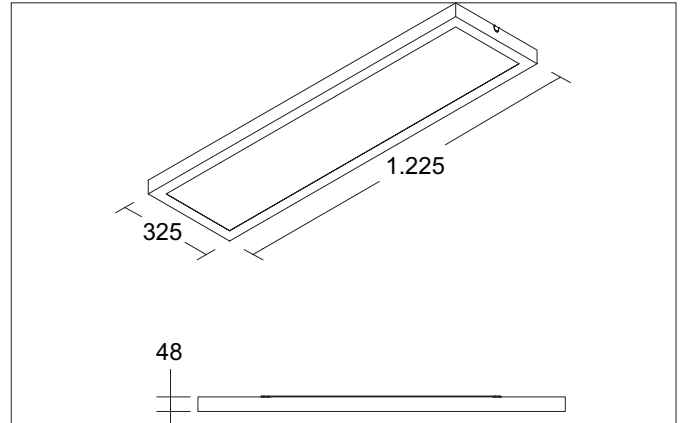




**REFIDO LED mounting panel 1225x325, MP**  
 Article no. 49120073



**Tender**  
 LED mounting panel 1225x325, MP, Rectangular. Luminaire length 1225.0 mm, Luminaire width 325.0 mm, Hight 48.0 mm Weight 3.6 kg, with rotationssymmetrical, deep, wide distributed light intensity. Cover plastic, microprismatic Luminous flux 4.800 - 4.900 lm, UGR < 19, Power 1 x 33 W, Light colour warm white to neutral white, Correlated color temprature (CCT) 3.000 - 4.000 K, Colour rendering index CRI > 80, Rated life time L70/B10 at 25 °C: 110.000 h, Rated life time L70/B50 at 25 °C: 125.000 h, Rated life time L80/B10 at 25 °C: 78.000 h, Rated life time L80/B50 at 25 °C: 100.000 h, Housing material: Aluminium / Polycarbonate, Colour: white matt, Permissible ambient temperature (ta): -20 °C up to +45 °C, Protection class (EN 61140): I, Degree of protection (DIN EN 60529): IP20, shock resistance according to IEC62262: IK03 .With electronic driver, on/off switchable.

Article data	
Article no.	49120073
GTIN	4255752525660
Series name	REFIDO
Short description	LED mounting panel 1225x325, MP
Material	Aluminium / Polycarbonate
Colour	white matt
Shape	Rectangular
Length	1,225 mm
Width	325 mm
Hight	48 mm
Weight	3.6 kg
D licence plate	No
Conformance	CE, UKCA


**REFIDO LED mounting panel 1225x325, MP**

Article no. 49120073

Lighting technology	
Colour temperature	3.000 K / 4.000 K
Light colour	white
Color Temperature 1	3,000 K
Color Temperature 2	4,000 K
Light output	Direct
Luminous flux	4,800 - 4,900 lm
Luminous flux 1	4,800 lm
Luminous flux 2	4,900 lm
Luminous flux in emergency lighting mode	390 lm
System efficiency	148 lm/W
McAdam-Step	McAdam-Step 3
Colour rendering	CRI > 80
Reflector	Without
Beam angle	85°
Glare evaluation	UGR < 19
Light sharing	Symmetric
Photobio. Risk group according to EN 62778	RG0
Photobio. Risk group according to EN 62471	RG0
Adjustable color temperature	Stages

Operating technology of the luminaire	
System output	33 W
Voltage type	AC/DC
AC nominal voltage min	198 V
AC nominal voltage max	264 V
DC nominal voltage min	176 V
DC nominal voltage max	276 V
Frequency max	60 Hz
Frequency min	50 Hz
Lamp	LED exchangeable
Lamp holder	Without fitting
Protection class	I
Degree of protection	IP20
Ambient temperature	-20°C up to +45°C
Dimmable	No
Control	on/off
Bulb change possible	The light source of this luminaire may only be replaced by the manufacturer or a service technician commissioned by him or a similarly qualified person.
Glow wire test according to IEC 60695-2-12	650°C
Rated life time L70/B50 at 25 °C	125.000 h
Rated life time L80/B10 at 25 °C	78.000 h
Rated life time L80/B50 at 25 °C	100.000 h
Rated life time L90/B10 at 25 °C	30.000 h
Energy efficiency class	not required
max. no. lights on B16 A	28
max. no. lights on C10 A	29
max. no. lights on C16 A	47

Mounting technology	
Mounting method	Surface mounting
Place of installation	Ceiling-mounted
Adjustability	Not adjustable
Impact resistance	IK03
Further references	No cover with thermal insulation material
Cover	Plastic, microprismatic
Suitable for through-wiring	Yes



**REFIDO LED mounting panel 1225x325, MP**  
Article no. 49120073

Packing data	
Gross weight	4.6 kg
Length of packaging	1,260 mm
Packaging width	360 mm
Packaging height	70 mm
Disposal at end of life	<p>This product must not be disposed of with household waste. You are obliged, to dispose of such electrical waste separately.</p> <p>By disposing of electrical waste and other old or defective electronics separately, you support recycling or other forms of re-use. In that way you help to take care and to avoid that harmful substances get into the environment.</p>